



捷科科技 /// 圆形电连接器选型手册

JETSTEC TECHNOLOGY /// Circular Electrical Connector



LEADER FOR CONNECTIVITY SOLUTIONS

连接解决方案领跑者



JETSTEC TECHNOLOGY BROCHURE

📍 No. 8, Longjiang Road, Shangjie District, Zhengzhou City, Henan Province

📍 No.88, DongZhuo Road, Honggi District, Xinxiang HeNan, China

✉ info@jetstec-connect.com

☎ 0086 181 3797 1385

🌐 www.jetstec-connet.com

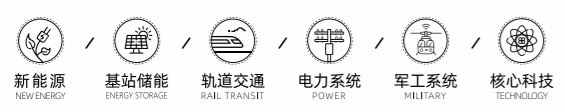
COMPANY PROFILE

Henan Jetstec Connect Technology Co.,Ltd.(hereinafter referred to as JESTEC) specialized in the connection solutions of optical, electrical, liquid connection technologies and cable assembly.

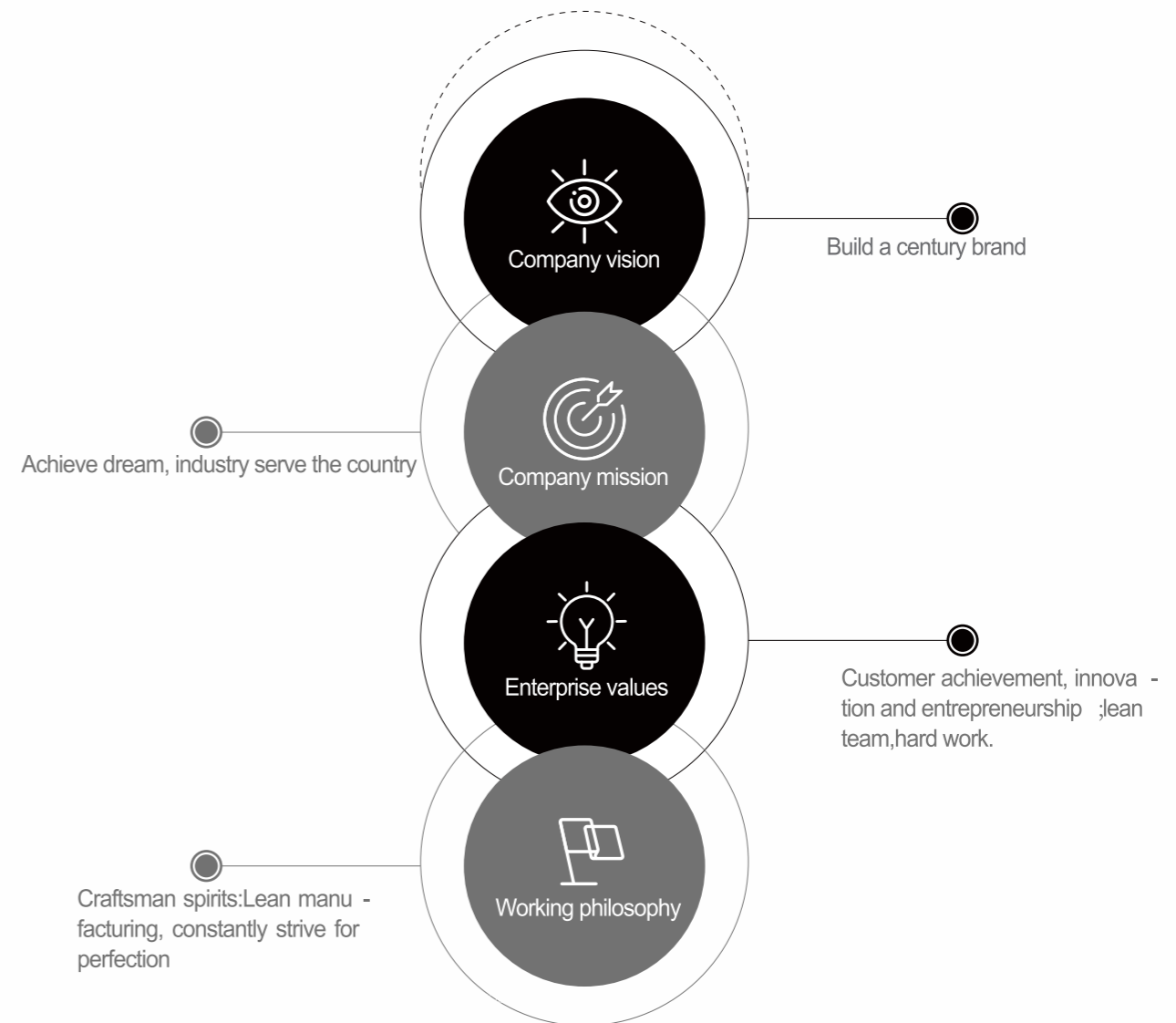
JESTEC's products are widely used in aviation, aerospace and military field. JESTEC takes R&D as the leading, adopts the lean production mode of the whole process, whole process and internal vertical integration to provide customers

with high-end technology, reliable products, customized solutions and perfect quality assurance. JESTEC ensures the quality of its products while delivering them to customers quickly, on time, conveniently and safely.

JESTEC takes "Always providing professional and reliable connectors" as its mission and is committed to becoming the best interconnection solution provider of every customers.



COMPANY CULTURE



PRODUCT CONTENTS

◀ 目录

GJB599(MIL-DTL-38999M)Series

01	GJB599 I Series	01
	<small>Compliant with GJB599B (MIL-DTL-38999M) series, bayonet type quick connection, small size, light weight, high contact density, EM/RFI shielding, crimping and detachable contacts, anti-slant insertion design.</small>	
02	GJB599 II Series	15
	<small>Compliant with GJB599B (MIL-DTL-38999M) series, bayonet type quick connection, smaller size, short housing design.</small>	
03	GJB599 I II Series Backshells	27
	<small>Conforms to GJB1784 (equal to MIL-C-85049)</small>	
04	GJB599 III Series	34
	<small>Compliant with GJB599B (MIL-DTL-38999M) series, threaded quick connection with anti-mating structure, EM/RFI shielding, mating interface sealing, anti-slant design.</small>	
05	GJB599 III Series Backshells	45
	<small>Conforms to GJB1784 (equal to MIL-C-85049)</small>	

GJB598(MIL-C-26482)Series

01	GJB598 I Series	53
	<small>high density, good environmental resistance, widely used in various military and civilian equipment.</small>	
02	GJB598 II Series	76
	<small>frequency interference) shielded plug, mating interface sealing.</small>	
03	GJB598 II Series Backshells	84
	<small>Conforms to GJB1784 (equal to MIL-C-85049)</small>	

GJB599 I SERIES ELECTRIACAL CONNECTORS

GJB599 I Series
(MIL-DTL-38999M)Series



PRODUCT INTRODUCTION

- Comply with GJB599B (MIL-DTL-38999M) I series
- Quick bayonet coupling, small size, light weight and high density
- EMI/FYI shielding
- 5 keys guiding structure to avoid mismatching
- Various receptacle mounting: Box mounting, wall-through mounting, front mounting, rear mounting and jam nut mounting
- Removable crimp contact with scoop-proof design
- 9 shell sizes, various arrangements of holes and contact
- Withstand strong vibration
- The mating surface and the rear have a sealed structure, and the three-proof performance is excellent
- Standard backshells, comply with GJB1784



Application: The product is used to connect current and signal.

Operating environment: The products can be used in harsh environments like strong vibration, rain, sand, humidity and so on.

【Main technical performance】

Mechanical performance

Shell: Aluminum alloy, stainless steel, titanium alloy

Grommet and seal: Silicone rubber **Insulator:** Thermoset plastic

Plating: Type B: Olive green cadmium plating Type E: Stainless steel passive Type F: Electroless nickel plating
Type FT: Aluminum alloy satin plating cadmium Type TA: Titanium alloy

Contact: Gold-plated copper alloy, crimping, soldering and PCB type

Durability: 500 cycles

Vibration: Sinusoidal vibration Frequency 10~2000Hz Acceleration 294m/s²
Random vibration Frequency 100 ~ 1000Hz Power spectral density 1g²/Hz

Shock: At 3 ms half sinusoid, peak value of acceleration: 300g

Electrical performance:

Contact resistance and rated current:

Contact sizes	Operating diameter (mm)	Contact resistance (mΩ)	Rated current (A)
22D	Φ0.76	≤12	5
20#	Φ1.00	≤5	7.5
16#	Φ1.60	≤2.5	13
12#	Φ2.40	≤1.5	23
10#	Φ3.15	≤1.0	40

EMI shielding: 100MHz ~ 1GHz, the minimum attenuation is 85dB
1GHz ~ 10GHz, the minimum attenuation is 50dB

Withstanding voltage: V (Note: Different contact arrangements have different working grades, see the letters in the upper right corner of the contact arrangement diagram for details on the specific working grades)

Service rating*	M	N	I	II
sea level	1300	1000	1800	2300
21000m	800	600	1000	1000

Insulation resistance: normal conditions ≥k500mΩ, wet conditions ≥k100mΩ

Shell-to-shell conductivity: Type B ≤2.5mΩ, Type F, FT ≤1.0mΩ, Type TA ≤50mΩ

Environmental performance

Temperature range: Type B: -65° C ~ +175° C Type E, F: -65° C ~ +200° C

Salt spray: Type B: 500h Type E, TA: 1000h Type F: 48h/96h Type FT: 96h

Relative humidity: up to 98% at 40°C **Working altitude:** ≤30480m

Other performances: The point connector also has good moisture-proof, salt-spray, mold-proof, sand-proof and dust-proof properties

【Ordering information】

JYT 27467 T 21 F 35 P N - H - M1

Connector basic series

Connector type

- 27467-Plug (T)
- 27466-Wall-through square flange receptacle (front mounting) (T)
- 27456-Wall-through square flange receptacle (rear mounting) (T)
- 27496-Box square flange receptacle (front mounting) (E)
- 27505-Box square flange receptacle (rear mounting) (E)
- 27468-Jam nut receptacle (T)

Shell Type

- T-Tails are threaded for accessories
- E - No thread on the tail, no accessories can be installed

Shell No

09-11-13-15-17-19-21-23-25

Shell plating

- B-Alloy olive green cadmium plating
- E-Stainless steel passive
- F-Alloy Electroless nickel plating

Contact layout

See "Contact layout" table

Contact type

- Crimping and soldering contact:
- P-Pin S-Socket
- PCB type: PL - Long PCB pin SL - Long PCB socket
PC-Short PCB pin SC - Short PCB socket

Note

- 1.GJB599B series are made according to the same standard with MIL-DTL-38999M series. The difference is that: the basic part number of GJB599B is JYT, while MIL-DTL-38999M is MS. GJB599B series is interchangeable with MIL-DTL-38999M series.
2. If the operating environment requires oil resistance, the connector sealing components should choose fluorinated silicone rubber. When placing orders, plus C1 at the end of the original part number.
3. When the product needs to be equipped with a conductive square pad, add C2 or (C2) at the end of the product model.

Special contacts:

- M1 -16# Coaxial contact
- M2 -12# Coaxial contact
- M3 -12# Shielding contact
- M4 -8# Power contact
- M5 -8# Single coaxial contact
- M6 -8# Dual coaxial contact
- M7 -8# Double differential contact
- M8 -8# Four differential contact

Solder contact type

- (for soldering connectors only)
- H-Soldering contact

Polarization :

N - Normal; A, B, C, D - Alternative When the crimping type contact is selected, N can not be marked; when other Contact are selected, N must be marked (the 09# shell only has N, A, D polarizations)

【Crimp contacts】

Contact sizes	Dia.(mm)	Pin color code	Socket color code	Inner dia. of crimp barrel(mm)	Outer dia. of crimp barrel(mm)	Section of wire(mm)	Acceptable Cable size (AWG)	Acceptable cables outside dia.(mm)	Removal tool code	Crimp-ing tool
22D	Φ0.76	orange-blue-black	orange-yellow-gray	0.85	1.20	0.08 0.125 0.2 0.3	28 26 24 22	0.76~1.37	M81969/ 14-01	YJQ-02
20#	Φ1.00	orange-blue-orange	orange-green-brown	1.17	1.78	0.2 0.3 0.5	24 22 20	1.02~2.11	M81969/ 14-10	YJQ-02 XCXY-01
16#	Φ1.60	orange-blue-yellow	orange-green-red	1.68	2.62	0.5 0.8 1.0 1.2	20 18 16	1.65~2.77	M81969/ 14-03	XCXY-01
12#	Φ2.40	orange-blue-green	orange-green-orange	2.49	3.84	2.0 3.0	14 12	2.46~3.61	M81969/ 14-04	XCXY-01
10#	Φ3.15	green-red-gray	green-orange-purple	3.40	4.65	4.8	10	3.42~4.12	M81969/ 14-05	XCXY-01 YTQ
8#	Φ3.60	—	—	4.55	6.4	8.37	8	6.4~6.9	M81969/ 14-12	YTQ

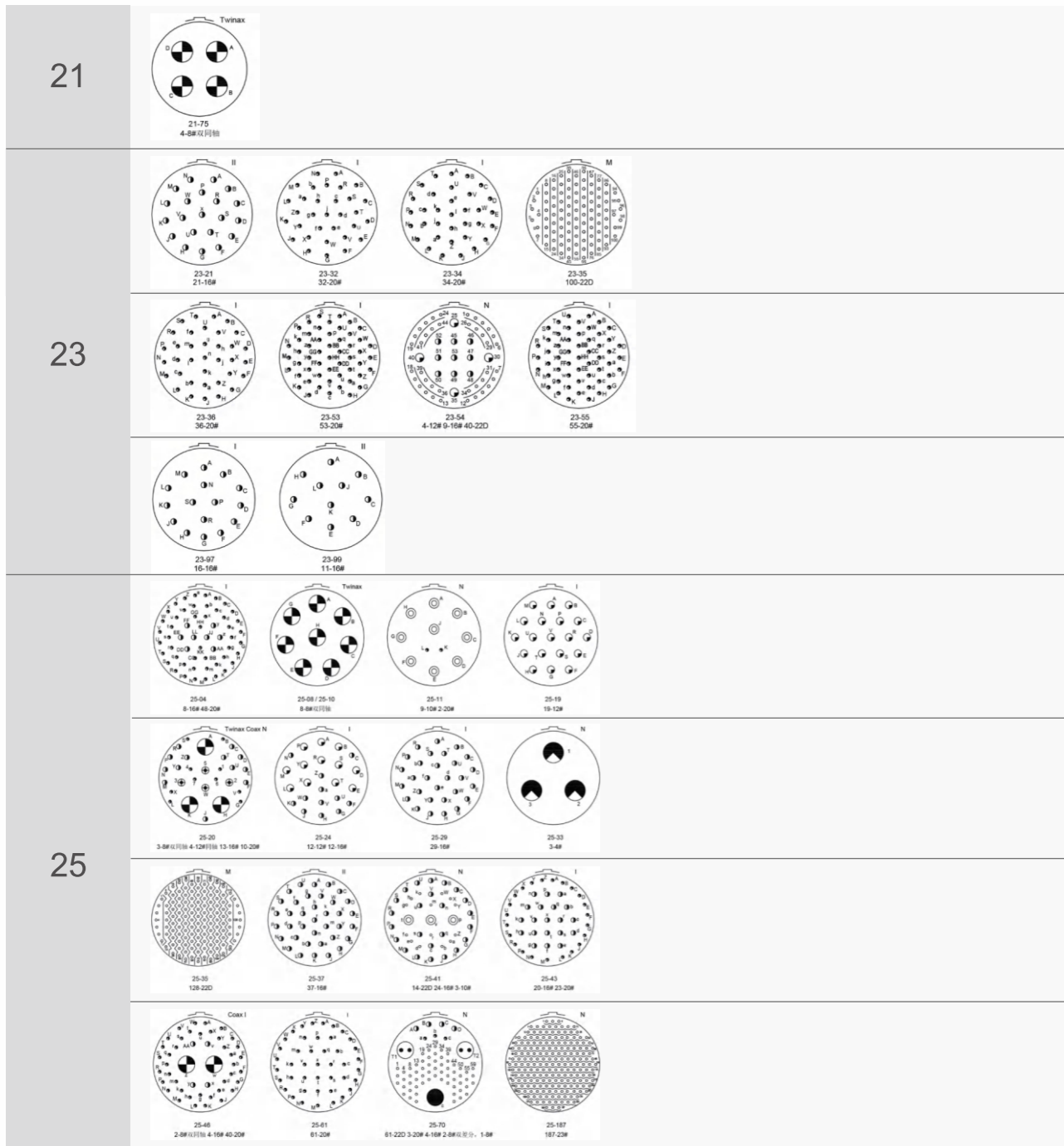
【Soldering contacts】

Contact sizes	Inner dia. of soldering cup	Max Acceptable Cable size(AWG)
22D	Φ0.9	22
20#	Φ1.1	20
16#	Φ1.9	16
12#	Φ2.9	12
10#	Φ3.6	10
8#	Φ4.8	8

【Contact layout (viewed from front face of male insert)】

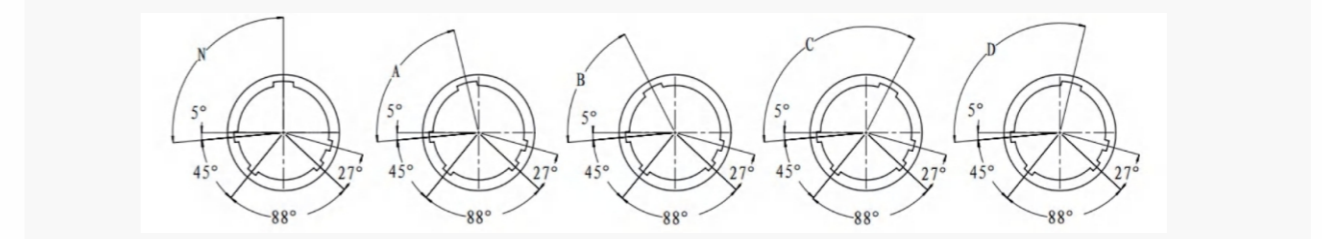
09	
11	

13	
15	
17	
19	
21	

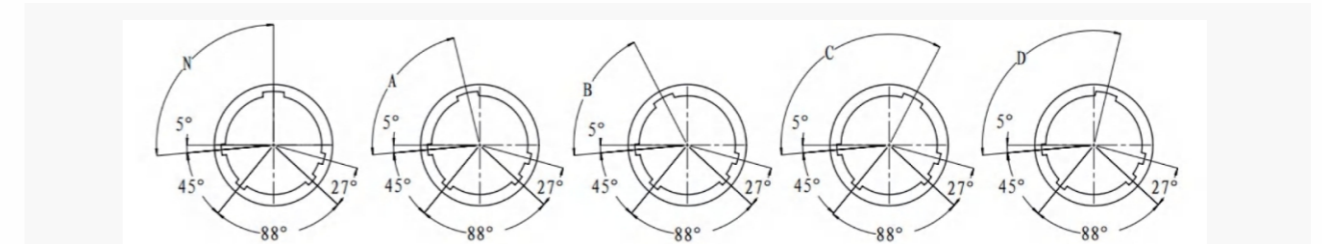


【Polarization】

【 Receptacle polarization 】



【 Plug polarization 】



Polarization code	09	11	13	15	17	19	21	23	25
N	95°	95°	95°	95°	95°	95°	95°	95°	95°
A	77°	81°	75°	74°	77°	77°	77°	80°	80°
B	-	67°	63°	61°	65°	65°	65°	69°	69°
C	-	123°	127°	129°	125°	125°	125°	121°	121°
D	113°	109°	115°	116°	113°	113°	113°	110°	110°

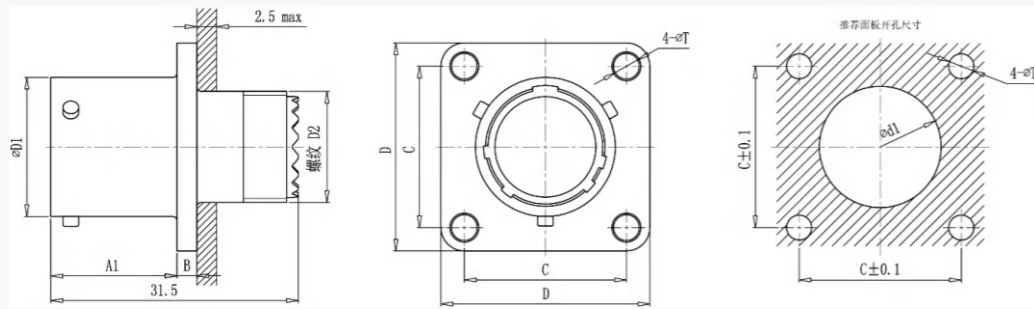
【Outline dimensions】

【 JYT27467 Plug 】

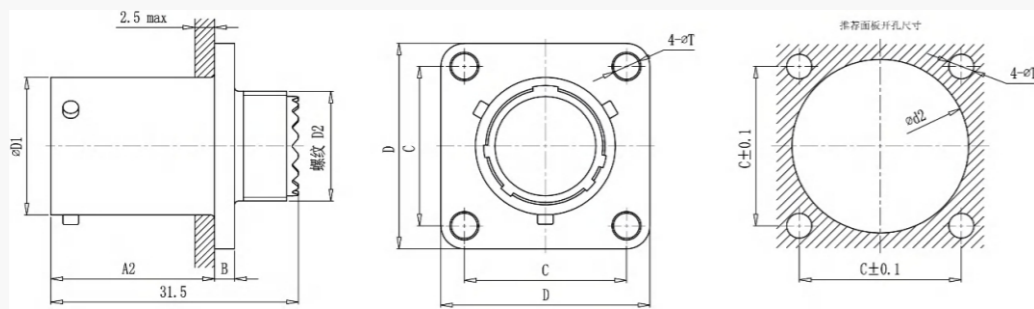
Shell No.	D1	Thread D2 UNEF -2A
09	21.6	0.4375 -28
11	24.7	0.5625 -24
13	28.6	0.6875 -24
15	31.5	0.8125 -20
17	35.5	0.9375 -20
19	38.5	1.0625 -18
21	41.6	1.1875 -18
23	44.6	1.3125 -18
25	47.6	1.4375 -18

【 JYT27466 / JYT27656 Wall-through square flange receptacle 】

【 JYT27466 Wall-through square flange receptacle (front mounting) 】



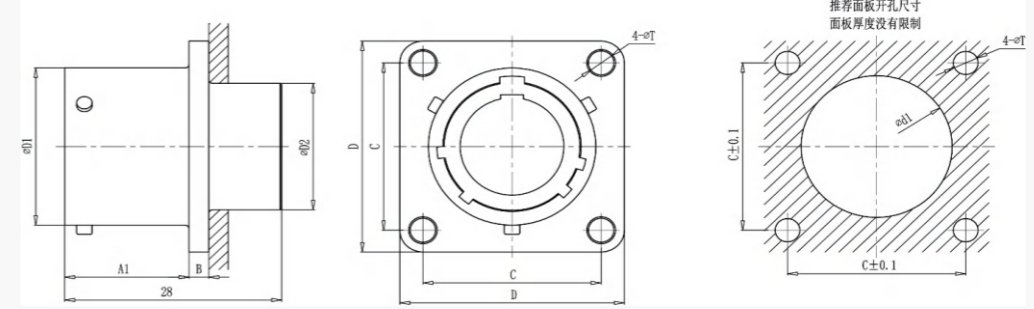
【 JYT27656 Wall-through square flange receptacle (rear mounting) 】



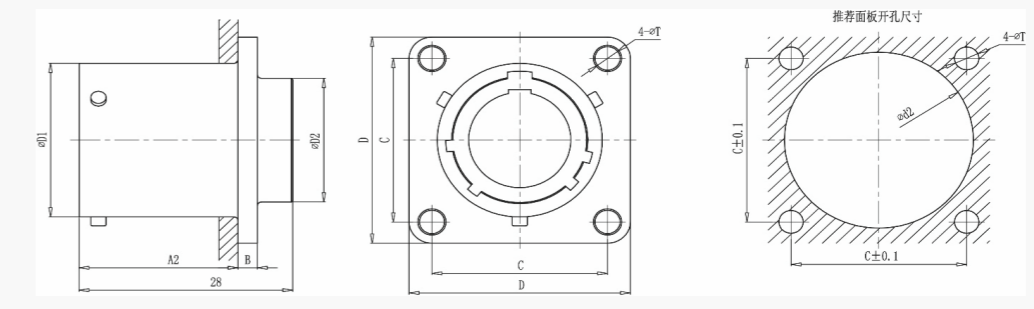
Shell No.	D1	Thread D2 UNEF-2A	A1	A2	B	C	D	T	d1	d2
09	14.6	0.4375 -28	16.1	20.8	2.54	18.26	23.8	3.2	12.5	16.7
11	17.8	0.5625 -24	16.1	20.8	2.54	20.62	26.2	3.2	15.5	20.2
13	21.6	0.6875 -24	16.1	20.8	2.54	23.02	28.6	3.2	19.5	24.5
15	24.8	0.8125 -20	16.1	20.8	2.54	24.62	31.0	3.2	21.5	27.7
17	28.0	0.9375 -20	16.1	20.8	2.54	26.98	33.3	3.2	25.0	30.9
19	30.7	1.0625 -18	16.1	20.8	2.54	29.36	36.5	3.2	28.0	32.9
21	33.8	1.1875 -18	15.3	20.1	3.3	31.76	39.7	3.7	31.5	36.2
23	37.0	1.3125 -18	15.3	20.1	3.3	34.92	42.9	3.7	34.5	39.3
25	40.0	1.4375 -18	15.3	20.1	3.3	38.10	46.0	3.7	37.5	42.5

【 JYT27496 / JYT27505 Box square flange receptacle 】

【 JYT27496 Box square flange receptacle (front mounting) 】

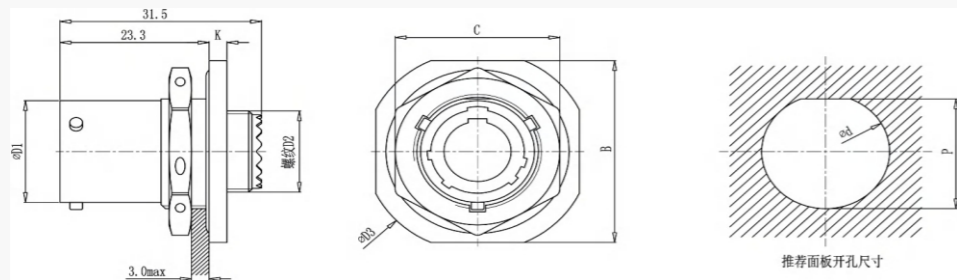


【 JYT27505 Box square flange receptacle (rear mounting) 】



Shell No.	D1	Thread D2	A1	A2	B	C	D	T	d1	d2
09	14.6	11.2	16.1	20.8	2.54	18.26	23.8	3.2	12.5	16.7
11	17.8	14.5	16.1	20.8	2.54	20.62	26.2	3.2	15.5	20.2
13	21.6	18.0	16.1	20.8	2.54	23.02	28.6	3.2	19.5	24.5
15	24.8	20.5	16.1	20.8	2.54	24.62	31.0	3.2	21.5	27.7
17	28.0	23.8	16.1	20.8	2.54	26.98	33.3	3.2	25.0	30.9
9	30.7	26.5	16.1	20.8	2.54	29.36	36.5	3.2	28.0	32.9
21	33.8	29.7	15.3	20.1	3.3	31.76	39.7	3.7	31.5	36.2
23	37.0	32.8	15.3	20.1	3.3	34.92	42.9	3.7	34.5	39.3
25	40.2	36.0	15.3	20.1	3.3	38.10	46.0	3.7	37.5	42.5

【 JYT27468 Jam nut receptacle 】



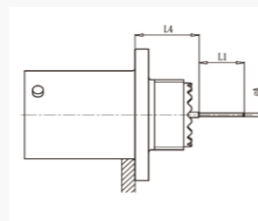
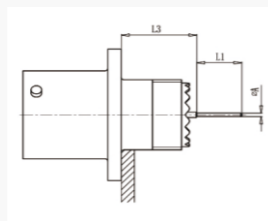
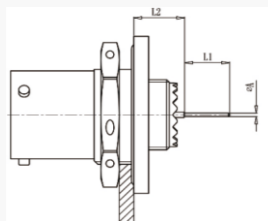
Shell No.	D1	Thread D2 UNEF-2A	D3	B	K	C	d	p
09	14.6	0.4375 -28	16.1	20.8	2.54	18.26	23.8	23.8
11	17.8	0.5625 -24	16.1	20.8	2.54	20.62	26.2	23.8
13	21.6	0.6875 -24	16.1	20.8	2.54	23.02	28.6	23.8
15	24.8	0.8125 -20	16.1	20.8	2.54	24.62	31.0	23.8
17	28.0	0.9375 -20	16.1	20.8	2.54	26.98	33.3	23.8
19	30.7	1.0625 -18	16.1	20.8	2.54	29.36	36.5	23.8
21	33.8	1.1875 -18	15.3	20.1	3.3	31.76	39.7	23.8
23	37.0	1.3125 -18	15.3	20.1	3.3	34.92	42.9	23.8
25	40.2	1.4375 -18	15.3	20.1	3.3	38.10	46.0	23.8

【 JT599-I Series receptacle with PCB type contact 】

【 JYT27468 Receptacle 】

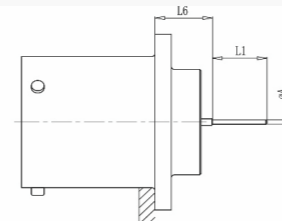
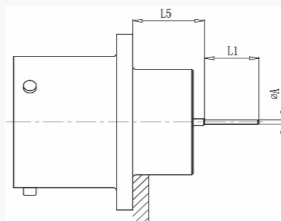
【 JYT27466 Receptacle 】

【 JYT27656 Receptacle 】



【 JYT27496 Receptacle 】

【 JYT27505 Receptacle 】



PCB contact type		L1	A
22D	Long PCB Contact	8.5	0.7
	Short PCB Contact	4.0	
20#	Long PCB Contact	8.5	0.7
	Short PCB Contact	5.0	
16#	Long PCB Contact	8.5	1.15
	Short PCB Contact	5.0	
Dimensions with different contacts		Shell No.09 -11-13 -15-17 -19	Shell No.21 -23-25
L2	With 22D pin	max	10.06
		min	09.06
	With 22D socket	max	10.06
		min	08.74
With 20# or 16# pin and socket	max	10.23	
	min	09.24	
L3	With 22D pin	max	15.08
		min	13.91
	With 22D socket	max	15.08
		min	13.58
	With 20# or 16# pin and socket	max	15.25
		min	14.08
Dimensions with different contacts		Shell No.09 -11-13 -15-17 -19	Shell No.21 -23-25
L4	With 22D pin	max	12.47
		min	11.06
	With 22D socket	max	12.47
		min	11.27
With 20# or 16# pin and socket	max	12.64	
	min	11.77	
L5	With 22D pin	max	11.08
		min	09.91
	With 22D socket	max	11.08
		min	09.58
	With 20# or 16# pin and socket	max	11.25
		min	10.08

Dimensions with different contacts		Shell No.09 -11-13 -15-17 -19	Shell No.21 -23-25	
L6	With 22D pin	max	8.47	9.22
		min	7.60	8.35
	With 22D socket	max	8.47	9.22
		min	7.27	8.02
	With 20# or 16# pin and socket	max	8.64	9.39
		min	7.77	8.52

【 JT599-I Series soldering products outline dimensions 】

Product	Dimension	Value
JYT27467 Plug	Length	31.5
JYT27468 Receptacle	Length	31.5
JYT27466 Receptacle	Length	31.5
JYT27656 Receptacle	Length	31.5
JYT27496 Receptacle	Length	28
JYT27505 Receptacle	Length	28

Contact sizes	L	Inner dia. of soldering cup	Max Acceptable Cable size(AWG)
22D	4	Φ0.9	22
20#	4	Φ1.1	20
16#	4	Φ1.9	16
12#	4	Φ2.9	12
10#	6	Φ3.6	10
8#	6	Φ4.8	8

【 Protective caps for plug and receptacle 】

【 Plug protective cap ordering information 】

Basic series JYT 27501 F 11 C L
Type: JYT27501—Plug protective cap (MS27501)
Shell plating: B— Olive green cadmium plating F— Electroless nickel plating E— Stainless steel passive
Shell No.: 09 -11-13 -15-17 -19-21 -23-25
Fixing type: A - Without chain C - Stainless steel chain with connecting lug N - Stainless steel chain with ring
 R—Nylon cord with connecting plate S—Stainless steel string with connecting lug E—Nylon cord with ring
Length marking: No marking - Standard length L - Chain length is 127mm
Metel protective cap use temperature : Type B: -65°C ~+175°C Type F, E: -65 , ~+200 ,

【 JYT27501 (MS27501) Plug protective cap outline dimensions 】

	Type C							Type A		
Shell No.	09	11	13	15	17	19	21	23	25	
A	18.8	21.6	25.9	29.2	32.3	35.4	38.5	41.7	44.7	
H	max	76.2	76.2	88.9	88.9	88.9	101.6	101.6	101.6	

【 Receptacle protective cap ordering information 】

Basic series JYT 27502 F 11 C L
Type: JYT27502—Receptacle protective cap (MS27502)
Shell plating: B—Olive green cadmium plating F—Electroless nickel plating E—Stainless steel passive
Shell No.: 09 -11-13 -15-17 -19-21 -23-25
Fixing type: A - Without chain C - Stainless steel chain with connecting lug N - Stainless steel chain with ring
 R—Nylon cord with connecting plate S—Stainless steel string with connecting lug E—Nylon cord with ring
Length marking: No marking - Standard length L - Chain length is 127mm

【 JYT27502 (MS27502) Plug protective cap outline dimensions 】

	Type C	Type N	Type A
Length	17.2	17.2	17.2

Shell No.	09	11	13	15	17	19	21	23	25
D	19.9	23.1	27.1	30.2	33.2	36.2	39.3	42.5	45.7
d min	18.0	21.1	26.0	29.0	32.4	35.5	38.6	42.0	44.7
H max	76.2	76.2	88.9	88.9	88.9	88.9	101.6	101.6	101.6

(Note: The protective cap should be ordered separately, not supplied with the connector, and can be customized according to customer requirements)

GJB599 II SERIES ELECTRIACAL CONNECTORS

GJB599 II Series
(MIL-DTL-38999M) Series

-



PRODUCT INTRODUCTION

- Comply with GJB599B (MIL-DTL-38999M) II series
- Quick bayonet coupling
- Smallest size, lightest weight, shortest shell of the series
- EMI/FRI shielding
- Removable crimp contact, without scoop-proof function

Application The product is used to connect current and signal.

Operating environment: This series is light type and applied in the environment without strong vibration, rain, sand, humidity.



【Main technical performance】

Mechanical performance

Shell material: Aluminum alloy, stainless steel

Plating: Type B: Olive green cadmium plating Type E: Stainless steel passive Type F: Electroless nickel plating

Durability: 500 cycles

Contacts: Gold-plated copper alloy surface, with crimping type, soldering type and printed version

Vibration: Random vibration Frequency 100-1000Hz Power spectral density 1g²/Hz

Shock: At 3 ms half sinusoid, peak value of acceleration: 300g

Electrical performance:

Contact resistance and rated current :

Contact sizes	Operating diameter (mm)	Contact resistance (mΩ)	Rated current (A)
22D	Φ0.76	≤12	5
20#	Φ1.00	≤5	7.5
16#	Φ1.60	≤2.5	13
12#	Φ2.40	≤1.5	23

EMI shielding: at 100MHz-1GHz, the minimum attenuation is 45dB

Withstanding voltage: V

Service rating*	M	I	II
Sea level	1300	1800	2300
21000m	800	1000	1000

Insulation resistance: Normal conditions ≥ 5000MΩ Humidity ≥ 100 MMΩ

Shell-to-shell conductivity: Type B ≤ 2.5mΩ; Type F ≤ 1.0mΩ; Type E ≤ 50mΩ

Environmental performance

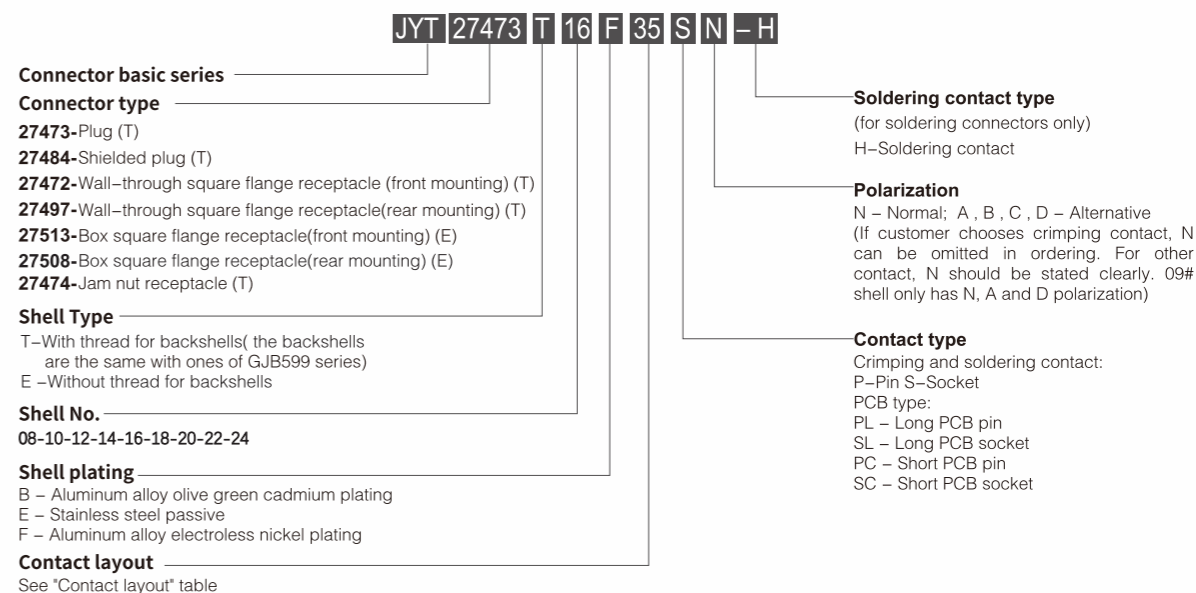
Operating temperature: Type B: -65 °C ~ +175 °C Type E, F: -65 °C ~ +200 °C

Salt spray: Type B: 500h; Type E: 1000h; Type F: 48h

Relative humidity: Up to 98% at 40 °C

Working height: ≤ 30480m

【Ordering information】



Note:

GJB599B series are made according to the same standard with MIL-DTL-38999M series. The difference is that: the basic part number of GJB599B is JYT, while MIL-DTL-38999M is MS. GJB599B series is interchangeable with MIL-DTL-38999M series.3. When the product needs to be equipped with a conductive square pad, add C2 or (C2) at the end of the product model.

Example of type marking

JYT27497T18F35PN-H: JYT series wall-through square flange receptacle(rear mounting) , with thread for backshel, can be mounted with accessory, #18 shell, aluminum alloy electroless nickel plating, #35 layout, filled with pin, N polarization, soldering contact. Soldering contact are only available with soldering connectors.

【Crimping contacts】

Contact sizes	Dia.(mm)	Pin color code	Socket color code	Inner dia. of crimp barrel(mm)	Outer dia. of crimp barrel(mm)	Section of wire(mm)	Acceptable Cable size (AWG)	Acceptable cables outside dia.(mm)	Removal tool code	Crimping tool
22D	Φ0.76	orange-blue-black	orange-green-yellow	0.85	1.20	0.08	28	0.76-1.37	M81969/14-01	YJQ-02
						0.125	26			
						0.2	24			
						0.3	22			
20#	Φ1.00	orange-blue-orange	orange-green-purple	1.17	1.78	0.2	24	1.02-2.11	M81969/14-10	YJQ-02 XCXY-01
						0.3	22			
						0.5	20			
16#	Φ1.60	orange-blue-yellow	orange-green-gray	1.68	2.62	0.5	20	1.65-2.77	M81969/14-03	XCXY-01
						0.8	18			
						1.0	16			
12#	Φ2.40	orange-blue-green	orange-green-white	2.49	3.84	2.0	14	2.46-3.61	M81969/14-04	XCXY-01
						3.0	12			

【Soldering contacts】

Contact sizes	Inner dia. of soldering cup	Max Acceptable Cable size(AWG)
22D	Φ0.9	22
20#	Φ1.1	20
16#	Φ1.9	16
12#	Φ2.9	12

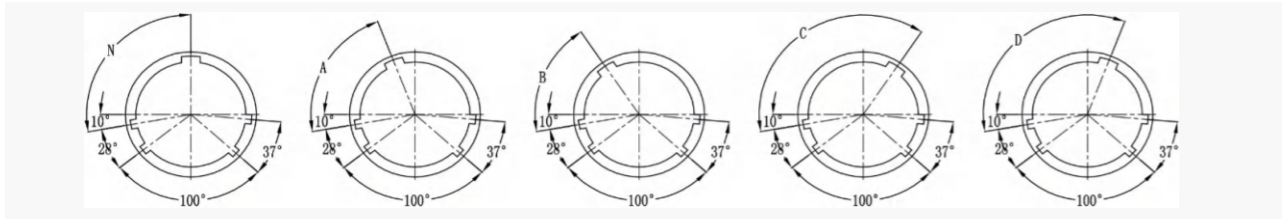
【Contact layout (viewed from front face of male insert)】

08	
10	
12	
14	
16	

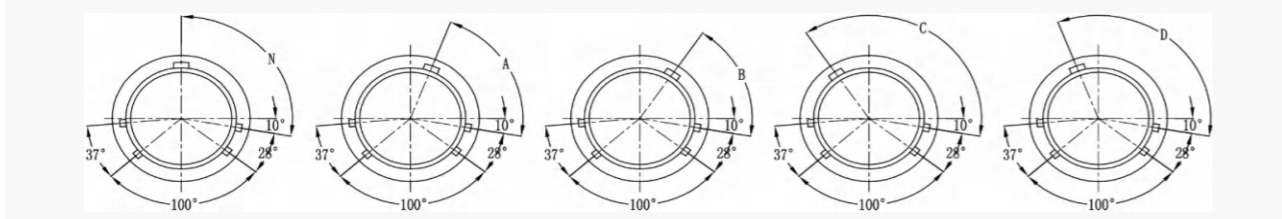
16	
18	
20	
22	
24	

【Polarization】

【 Receptacle polarization 】



【 Plug polarization 】



Polarization code	08	10	12	14	16	18	20	22	24
N	100°	100°	100°	100°	100°	100°	100°	100°	100°
A	82°	86°	80°	79°	82°	82°	82°	85°	85°
B	-	72°	68°	66°	70°	70°	70°	74°	74°
C	-	128°	132°	134°	130°	130°	130°	126°	126°
D	118°	114°	120°	121°	118°	118°	118°	115°	115°

【Outline dimensions】

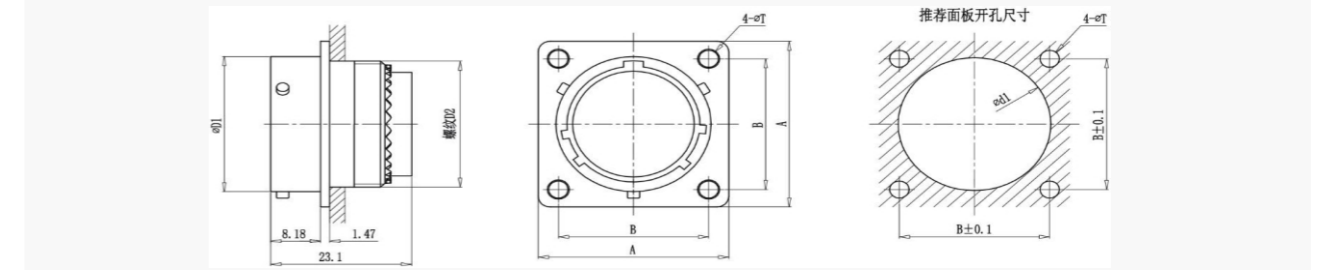
【 JYT27473 /JYT27484 Plug 】

Shell No.	D1	Thread D2 UNEF -2A
08	18.8	0.4375 -28
10	21.5	0.5625 -24
12	25.8	0.6875 -24
14	29.2	0.8125 -20
16	32.3	0.9375 -20
18	35.4	1.0625 -18
20	38.5	1.1875 -18
22	41.7	1.3125 -18
24	44.7	1.4375 -18

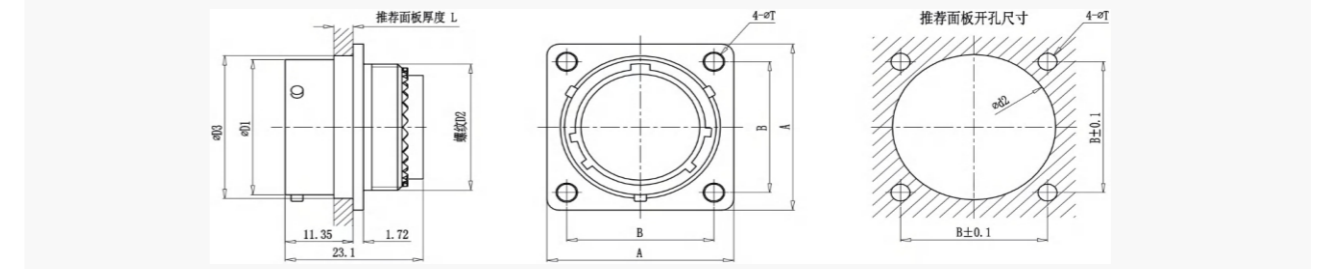
【Outline dimensions】

【 JYT27472 /JYT27497 Wall-through square flange receptacle 】

【 JYT27472 Wall-through square flange receptacle (front mounting) 】



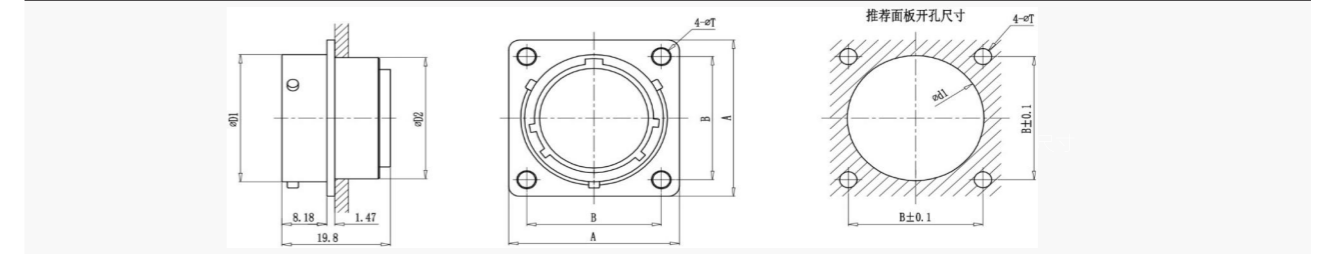
【 JYT27497 Wall-through square flange receptacle(rear mounting) 】



Shell No.	D1	Thread D2 UNEF-2A	D3	L max	A	B	T	d1	d2
08	12.00	0.4375 -28	13.20	2.0	21.00	15.09	3.2	12.5	14.2
10	15.00	0.5625 -24	16.14	2.0	24.10	18.26	3.2	15.5	17.5
12	19.05	0.6875 -24	20.50	2.0	26.50	20.62	3.2	19.5	21.3
14	22.23	0.8125 -20	23.60	2.0	28.90	23.01	3.2	21.5	25.0
16	25.40	0.9375 -20	26.80	2.0	31.21	24.61	3.2	25.0	27.3
18	28.58	1.0625 -18	30.00	2.0	33.60	26.97	3.2	28.0	31.3
20	31.75	1.1875 -18	33.20	2.5	36.80	29.36	3.2	31.5	34.5
22	34.93	1.3125 -18	36.35	2.5	40.00	31.75	3.2	34.5	37.5
24	38.10	1.4375 -18	39.50	2.5	43.10	34.93	3.9	37.5	40.6

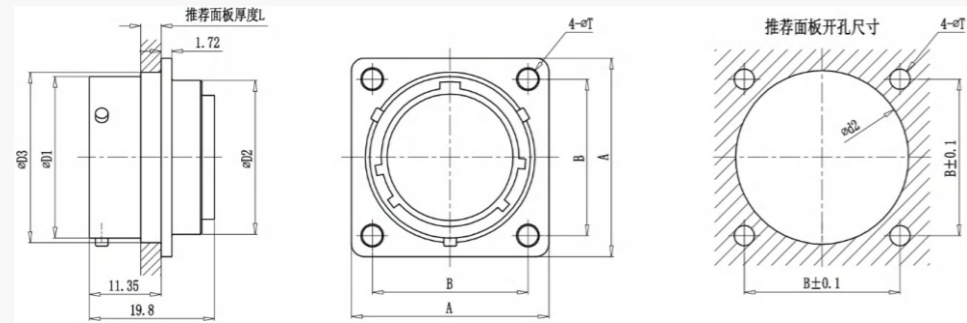
【 JYT27513 /JYT27508 Box square flange receptacle 】

【 JYT27513 Box square flange receptacle(front mounting) 】



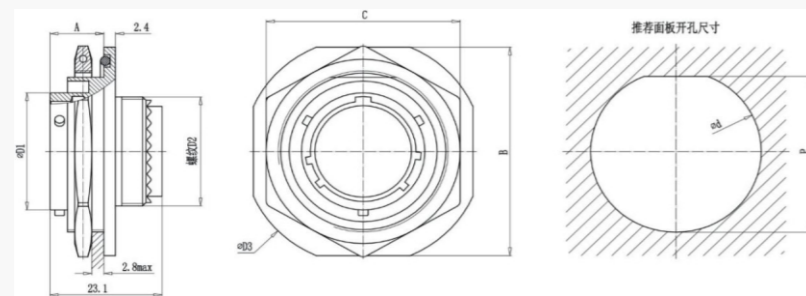
【 JYT27513 /JYT27508 Box square flange receptacle 】

【 JYT27508 Box square flange receptacle(rear mounting) 】



Shell No.	D1	D2	D3	L max	A	B	T	d1	d2
08	12.00	11.51	13.20	2.0	21.00	15.09	3.2	12.5	14.2
10	15.00	14.68	16.14	2.0	24.10	18.26	3.2	15.5	17.5
12	19.05	17.86	20.50	2.0	26.50	20.62	3.2	19.5	21.3
14	22.23	21.03	23.60	2.0	28.90	23.01	3.2	21.5	25.0
16	25.40	24.21	26.80	2.0	31.21	24.61	3.2	25.0	27.3
18	28.58	26.97	30.00	2.0	33.60	26.97	3.2	28.0	31.3
20	31.75	30.18	33.20	2.5	36.80	29.36	3.2	31.5	34.5
22	34.93	33.32	36.35	2.5	40.00	31.75	3.2	34.5	37.5
24	38.10	36.53	39.50	2.5	43.10	34.93	3.9	37.5	40.6

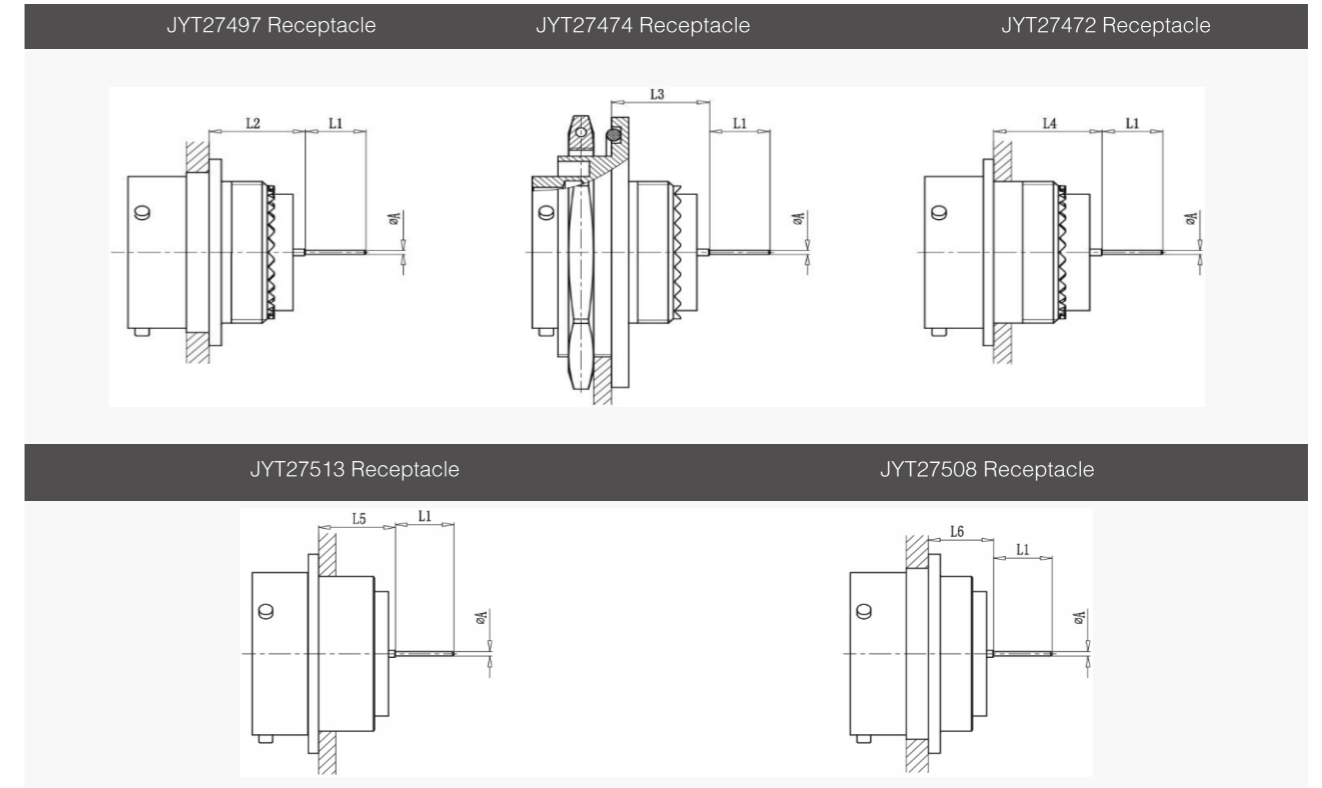
【 JYT27474 Jam nut receptacle 】



【 JYT27474 Jam nut receptacle 】

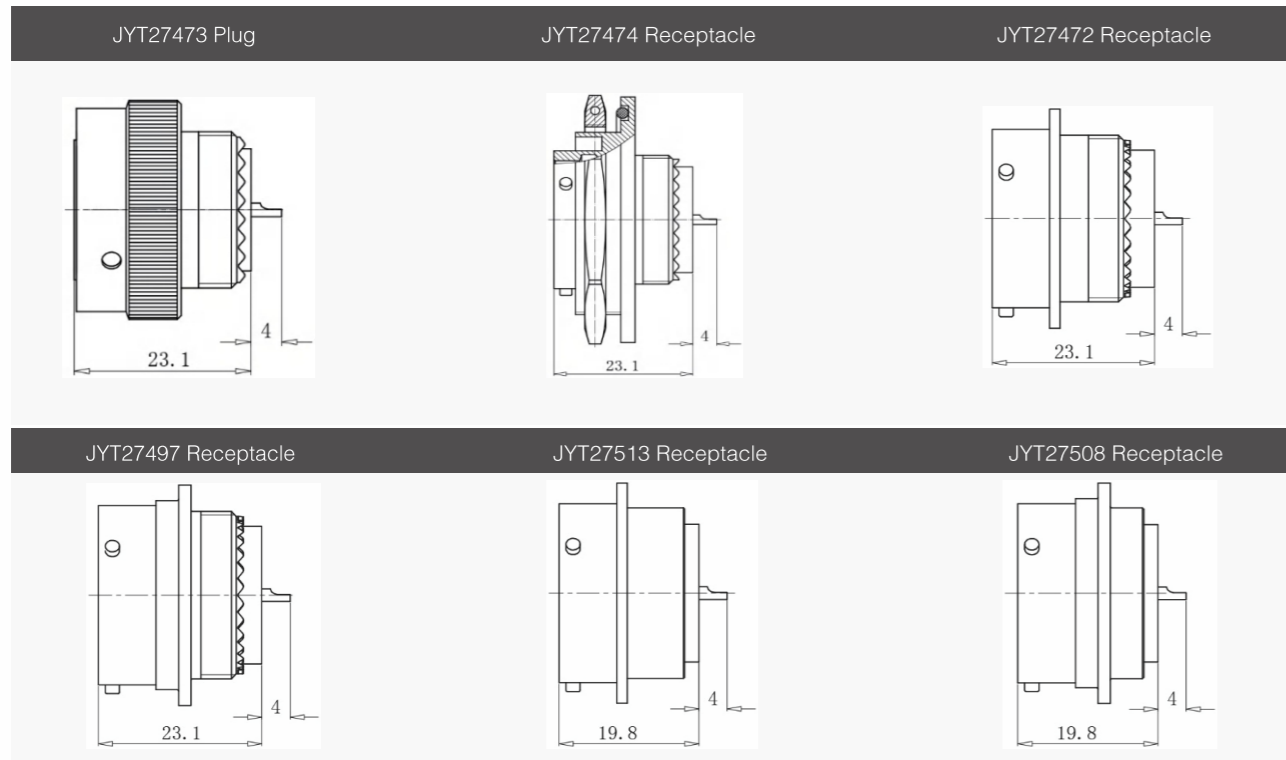
Shell No.	D1	Thread D2 UNEF-2A	D3	B	A	C	d	p
08	12.00	0.4375 -28	34.95	31.75	11.1	27.9	22.46	21.08
10	15.00	0.5625 -24	38.10	34.95	11.1	30.5	25.58	24.26
12	19.05	0.6875 -24	41.28	38.10	11.1	33.6	28.80	27.53
14	22.23	0.8125 -20	44.45	41.28	11.1	36.8	32.01	30.73
16	25.40	0.9375 -20	49.23	45.24	11.1	40.0	35.15	33.86
18	28.58	1.0625 -18	51.21	48.00	11.1	43.2	38.28	37.06
20	31.75	1.1875 -18	54.38	51.21	11.8	46.3	41.50	40.03
22	34.93	1.3125 -18	57.53	54.36	11.8	51.0	44.68	43.21
24	38.10	1.4375 -18	60.71	57.53	11.8	54.4	47.85	46.38

【 JT599 - II Series receptacle with PCB contact 】



PCB contact type		L1	A
22D	Long PCB Contact	8.5	0.7
	Short PCB Contact	4.0	
20#	Long PCB Contact	8.5	0.7
	Short PCB Contact	5.1	
16#	Long PCB Contact	8.5	1.15
	Short PCB Contact	5.1	
Dimensions with different contacts		Shell No. 08 10 12 14 16 18	Shell No. 20 22 24
L2	With 16# ,20# or 22D pin and socket	13.40~13.60	13.40~13.60
L3	With 16# ,20# or 22D pin and socket	13.65~13.85	12.95~13.15
L4	With 16# ,20# or 22D pin and socket	15.10~15.30	15.10~15.30
L5	With 16# ,20# or 22D pin and socket	11.10~11.30	11.10~11.30
L6	With 16# ,20# or 22D pin and socket	9.40~9.60	9.40~9.60

【 JT599- II Series soldering products outline dimensions 】



【 Protective caps for plug and receptacle 】

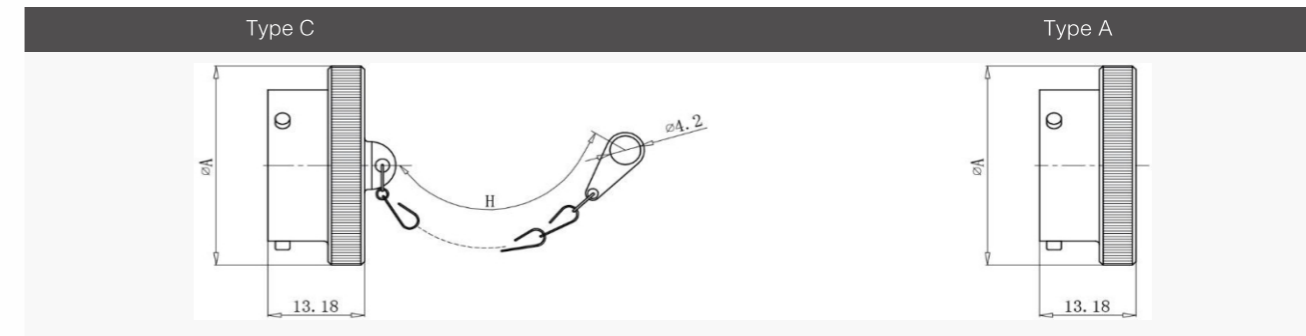
【 Ordering information: 】

Basic series	JYT27510—Plug protective cap (MS27510)	JYT27511—Receptacle protective cap (MS27511)
Type	JYT 27510 F 11 C L	
Shell plating	B—Olive green cadmium plating F—Electroless nickel plating E—Stainless steel passive	
Shell No.	08—10—12—14—16—18—20—22—24	
Fixing type	A—Without chain C—Stainless steel chain with connecting lug N—Stainless steel chain with ring R—Nylon cord with connecting plate S—Stainless steel string with connecting lug E—Nylon cord with ring	
Length marking	Unmarked—Standard length L—Chain length is 127mm M—Chain length is 152.4 (JYT27510 only) N—Chain length is 177.8 (JYT27510 only)	

Metal protective cap use temperature: Type B: -65 , ~+175 , Type F,E: -65 , ~+200 ,

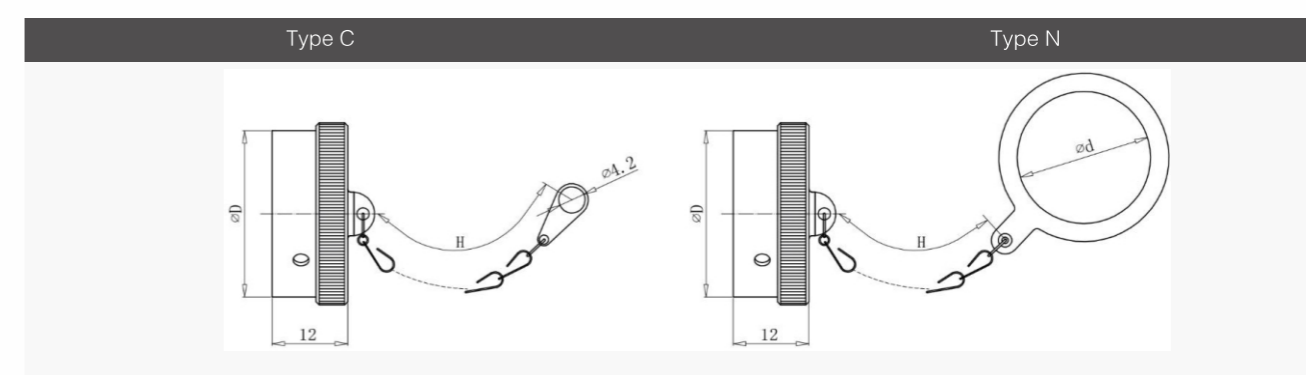
Note: The protective cap should be ordered separately, not supplied with the connector, and can be customized according to customer requirements

【 JYT27510(MS27510) Plug protective cap outline dimensions 】

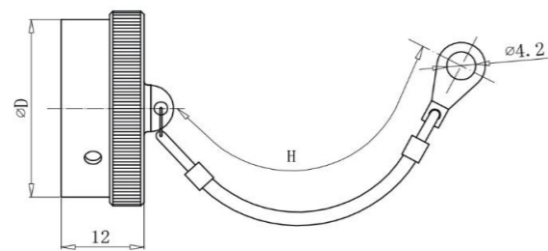
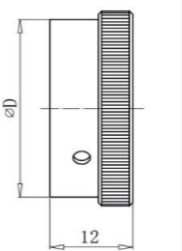


Shell No.	08	10	12	14	16	18	20	22	24
A	18.8	21.6	25.9	29.2	32.3	35.4	38.5	41.7	44.7
H max	76.2	76.2	88.9	88.9	88.9	88.9	101.6	101.6	101.6

【 JYT27511(MS27511) Receptacle protective cap outline dimensions 】



【 JYT27511(MS27511) Receptacle protective cap outline dimensions 】

		Type S					Type A			
										
Shell No.		08	10	12	14	16	18	20	22	24
D	max	16.0	19.1	23.5	26.7	29.8	33.1	36.4	39.2	42.9
d	min	22.6	26.0	29.0	32.4	35.5	38.6	42.0	44.7	48.5
H	max	76.2	76.2	88.9	88.9	88.9	88.9	101.6	101.6	101.6

GJB599 I II SERIES BACKSHELLS ELECTRICAL CONNECTORS

Suitable for GJB599 I Series and II Series
(MIL-DTL-38999M) Series



【Special backshells(for GJB599 I series and II series)】

• Comply with GJB1784 (equivalent to MIL-C-85049)

Note:

- For the accessories listed below, part number "JT1784" is the same with "JT1784 A".
- The below steps can help prevent looseness. When using the accessories, at least one step should be adapted.
 - u Put the fuse through the socket to anti looseness;
 - v Coat some thread glue at the product termination, and tighten the jam nut;
 - w Use heat shrink sleeve against looseness.
- For the accessory which carries a set screw, coat some thread glue on the set screw first and then tighten the screw.
- If the applicable products of the cable accessory is mounted with 8# Contact, please choose longer cable accessory, such as JT1784/49H type or JT1784/18A type; this is meant to prevent the contact positioner affects the cable accessory.

【GJB1784 Ordering information】

Basic series

- Type:** 27-Type A Back nut (non-clamping and non-shielding cable accessory)
 49-Type B Straight cable clamp (clamping and non-shielding cable accessory)
 47-Type C Right angle cable clamp (clamping and non-shielding cable accessory)
 62-Type D Screen-termination accessory (T) (shielding and non-clamping cable accessory)
 62-Heatshrink boot accessory (shielding and non-clamping cable accessory)

Accessory shell No. : 08 10 12 14 16 18 20 22 24

For GJB599(series shell No. : 09 11 13 15 17 19 21 23 25

For GJB599(series shell No. : 08 10 12 14 16 18 20 22 24

Shell plating: W—Olive green cadmium plating N—Electroless nickel plating S—Stainless steel passive

- Note:** 1. GJB 1784 series are made based on the same standard with MIL-C-85049. The difference is that: the basic part ber of MIL-C-85049 The code name is "M85049", and the two are interchangeable.
 2. The above cable accessory shell size should be marked with even number. Odd number is forbidden.

JT1784 / 49 - 16 S

【Outline dimensions】

【 JT1784/27-(Type HA) Back nut 】

	Shell No.	D1	D2	D3 max	Thread D4
	08	16.5	17.6	7.9	0.4375 -28
	10	19.5	20.6	10.8	0.5625 -24
	12	22.5	23.6	13.6	0.6875 -24
	14	26.5	27.6	16.9	0.8125 -20
	16	29.5	30.3	20.1	0.9375 -20
	18	32.5	33.3	22.4	1.0625 -18
	20	36.0	36.8	25.6	1.1875 -18
	22	38.5	39.3	28.8	1.3125 -18
	24	41.7	42.3	31.9	1.4375 -18

Anti-rotating accessory. This type tightens the grommet to ensure the connector's environmental characteristics. This type can not clamp the cable, applied in normal environment.

【Outline dimensions】

【 JT1784/47-(HC) Right angle cable clamp 】

	Shell No.	D1	D2	D3	Thread D4	L1 max	L2 max
	08	16.5	17.6	3.2~6.4	0.4375 -28	29.0	25.0
	10	19.5	20.6	4.0~9.5	0.5625 -24	32.0	26.0
	12	22.5	23.6	4.8~11.1	0.6875 -24	33.5	27.5
	14	26.5	27.6	5.5~14.3	0.8125 -20	36.5	31.0
	16	29.5	30.3	6.4~15.9	0.9375 -20	38.5	32.5
	18	32.5	33.3	7.9~19.1	1.0625 -18	41.5	34.0
	20	36.0	36.8	9.5~22.2	1.1875 -18	44.5	34.5
	22	38.5	39.3	10.3~23.8	1.3125 -18	46.0	36.5
	24	41.7	42.3	14.3~25.4	1.4375 -18	48.0	43.5

Anti-rotating, 90° cable clamping accessory. This type tightens the grommet and clamps the cable 90° to insure the connector's environmental characteristics. It is applied in tensile force environment.

【 JT1784/49-Straight cable clamp (clamping and non-shielding cable accessory) 】

	Shell No.	D1	Thread D2	D	A	L
	08	17.6	0.4375 -28	2.49~5.94	20	23.6
	10	20.6	0.5625 -24	3.87~5.94	22	24.6
	12	23.6	0.6875 -24	4.83~8.33	24.5	26.7
	14	27.6	0.8125 -20	6.60~11.61	26	27.7
	16	30.3	0.9375 -20	7.19~15.60	30.5	27.7
	18	33.3	1.0625 -18	8.26~16.10	35	29
	20	36.8	1.1875 -18	8.71~17.73	38	30.4
	22	39.3	1.3125 -18	9.68~20.90	41	32.4
	24	42.3	1.4375 -18	10.62~21.66	44	34.4

Anti-rotating, cable-clamping accessory. This type tightens the grommet and clamps the cable to insure the connector's environmental characteristics. It is applied in tensile force environment.

【 JT1784/62-Heatshrink boot accessory 】

	Model	D1	D2	D3	Thread D4
	JT1784/62-08N	16.5	6.9	11.0	0.4375 -28
	JT1784/62-10N	19.5	9.8	14.0	0.5625 -24
	JT1784/62-12N	22.5	12.8	17.6	0.6875 -24
	JT1784/62-14N	26.5	16.3	20.5	0.8125 -20
	JT1784/62-16N	29.5	19.4	24.0	0.9375 -20
	JT1784/62-18N	32.5	21.6	26.4	1.0625 -18
	JT1784/62-20N	36.0	25.0	30.0	1.1875 -18
	JT1784/62-22N	38.5	27.7	33.2	1.3125 -18
	JT1784/62-24N	41.7	20.3	36.2	1.4375 -18

The anti-rotation and compression shielding mesh accessories can tighten the cable body, provide the connection function between the shielding mesh and the Back accessories, and ensure the environmental resistance and electromagnetic shielding performance of the connector. It cannot clamp the cable and is used in occasions where the cable is subject to a small tension.

【JT1784/18A Series ordering information】

JT1784 / 18A - 17 N 04 A

Basic series _____

Type: 18A—Straight shielding cable clamp (for GJB599 1, 2 series) _____

Accessory shell No. : 09 11 13 15 17 19 21 23 25 _____

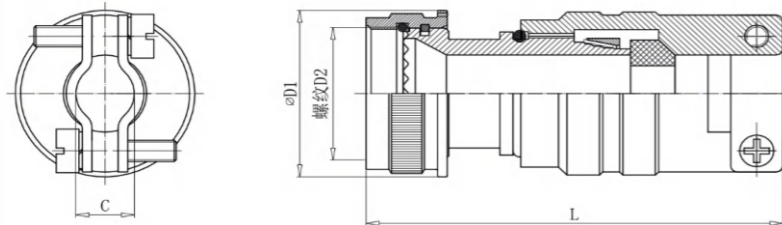
For GJB599(series shell No. : 09 11 13 15 17 19 21 23 25 _____

For GJB599(series shell No. : 08 10 12 14 16 18 20 22 24 _____

Shell plating: W – Olive green cadmium plating N – Electroless nickel plating S – Stainless steel passive _____

Outlet dia. No.: See table 1 and table 2 for reference _____

Length code: See table 3 _____



Anti-rotating, cable clamp accessory with crimping shielding net. This type tightens the grommet, connects the shielding net and backshells, clamps the cable, proof the rain and contains a shielding net to insure the connector's environmental and EMI shielding characteristics. It is applied in fierce environment. This accessory type of different length is available. It is applied in high & low frequency mixed environment that needs long-length accessory.

【 Table 1 】

Shell No.	Outlet dia. No.	D1	Thread D2
09	01~02	16.5	0.4375 -28
11	01~03	19.5	0.5625 -24
13	02~04	22.5	0.6875 -24
15	02~05	26.5	0.8125 -20
17	02~06	29.5	0.9375 -20
19	03~07	32.5	1.0625 -18
21	03~08	36.0	1.1875 -18
23	03~09	38.5	1.3125 -18
25	04~10	41.7	1.4375 -18

【 Table 2 】

Outlet dia. No.	Applicable cable diameter range C
01	1.57~3.18
02	3.18~6.35
03	6.35~9.53
04	9.53~12.7
05	12.7~15.88
06	15.88~19.05
07	19.05~22.23
08	22.23~25.4
09	25.4~28.58
10	28.58~31.75

【 Table 3 】

Shell No.	Length code	L
09~25	Standard (omit not marked)	64.1
09~25	A	88.1
15~25	B	113.5
21~25	C	138.9

【Special backshells(for GJB599 I series and II series)】

This type of backshells is designed to clamp tightly the shielding cable with shielding net, which falls into straight and right Polarization categories. The accessory can be used with Ti-Ni alloy memory ring. After heated, the ring will shrink and clamp shielding layer on the end of the accessory and achieve 360° EMI shielding.

Note:

Ti-Ni alloy memory ring's heating and shrinking: using hot-wind gun to heat. The process takes about 45 seconds to 1 minute. When the temperature color indicator of memory ring change from green to black, it means that memory ring has been shrunk and heating should be stopped. At this time, the temperature of ring is about 165 °. Please note that memory ring should be symmetrically heated.

【Ordering information】

【JT1784/85, JT1784/87 Shielding backshells (shielding and non-clamping cable accessory)】

JT1784 / 85 - 10 N A 03

Basic series _____

Series code: 85—Straight, 87—Right angle (for GJB599 I and II series) _____

Accessory shell No. : 08 10 12 14 16 18 20 22 24 _____

For GJB599(series shell No. : 09 11 13 15 17 19 21 23 25 _____

For GJB599(series shell No. : 08 10 12 14 16 18 20 22 24 _____

Shell plating: W – Olive green cadmium plating N – Electroless nickel plating S – Stainless steel passive _____
FT – Aluminum alloy satin cadmium plating TA – Titanium alloy (for Type 85 only)

Ti-Ni ring: No mark – Without Ti-Ni ring A – With Ti-Ni ring _____

Outlet diameter or Ti-Ni ring size: Without Ti-Ni ring, specify outlet diameter; With Ti-Ni ring, specify size of Ti-Ni ring _____

【JYT 599 I-FJA00, JYT599 I-FJA90 Shielding backshells (shielding and non-clamping cable accessory)】

JYT599 I 13 FJA 00 F A 03

Basic series _____

Series code: (for GJB599 1 and 2 series) _____

Accessory shell No. : 09 11 13 15 17 19 21 23 25 _____

For GJB599(series shell No. : 09 11 13 15 17 19 21 23 25 _____

For GJB599(series shell No. : 08 10 12 14 16 18 20 22 24 _____

Accessory type: FJA, FJC, FJE _____

Structure: 00—Straight 90—90° Right angle _____

Shell plating: W – Olive green cadmium plating N – Electroless nickel plating S – Stainless steel passive _____
FT – Aluminum alloy satin cadmium plating TA – Titanium alloy (for Type 85 only)

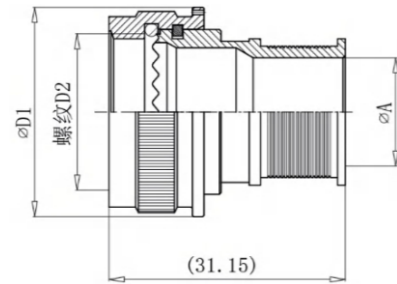
Ti-Ni ring: No mark – Without Ti-Ni ring A – With Ti-Ni ring _____

Outlet diameter or Ti-Ni ring size: Without Ti-Ni ring, specify outlet diameter; With Ti-Ni ring, specify size of Ti-Ni ring _____

Note: 1. This type of accessory is applied in harsh environment where disassembling is not frequently needed. It can achieve shielding both inside and outside.
2. JT1784/85, JT1784/87 is the same with JYT599-FJA00 and JYT599 1-FJA90. Only the naming is different.

【Outline dimensions】

【 Straight backshells (JT1784/85 or JYT599 I -FJA00) 】



Shell No.	D1	Thread D2	A (02 outlet)	A (03 outlet)
08	17.6	0.4375 -28	N/A	6.4
10	20.6	0.5625 -24	N/A	7.9
12	23.6	0.6875 -24	7.9	11.1
14	27.6	0.8125 -20	11.1	14.3
16	30.3	0.9375 -20	12.7	15.9
18	33.3	1.0625 -18	15.9	19.1
20	36.8	1.1875 -18	15.9	20.6
22	39.3	1.3125 -18	17.5	23.8
24	42.3	1.4375 -18	19.1	25.4

【JYT599 I **FJC00 (shielding and non-clamping cable accessory)】

Shell No.	D1	Thread D2	A	B	C
09	17.6	0.4375 -28	6.6	9.3	13.3
11	20.6	0.5625 -24	8.3	11	15
13	23.6	0.6875 -24	10	12.7	16.6
15	27.6	0.8125 -20	11.1	14.3	18.5
17	30.3	0.9375 -20	13.1	15.9	19.8
19	33.3	1.0625 -18	16.2	19	23
21	36.8	1.1875 -18	16.2	19	23
23	39.3	1.3125 -18	19.5	22.2	26.2
25	42.3	1.4375 -18	19.5	22.2	26.2

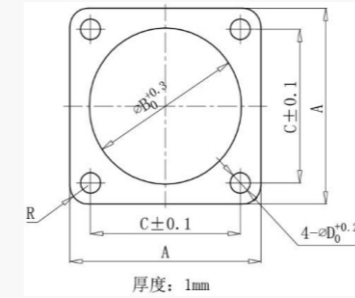
【599-I Square flange cushion】

Shell No.	A	B	C	D	R
09	23.9	14.8	18.26	3.3	3.2
11	26.3	18.0	20.62	3.3	3.2
13	28.7	21.8	23.01	3.3	3.2
15	31.1	25.0	24.61	3.3	3.2
17	33.4	28.2	26.97	3.3	3.2
19	36.6	30.9	29.36	3.3	3.2
21	39.8	34.0	31.75	3.3	3.2
23	43.0	37.2	34.93	3.3	3.7
25	46.1	40.4	38.10	3.3	3.7

【Outline dimensions】

【599-II Square flange cushion】

Shell No.	A	Square flange cushion B	Conductive square flange cushion code	C	D	R
08	21.1	13.4	13.4	15.09	3.3	3.2
10	24.2	16.3	16.3	18.26	3.3	3.2
12	26.6	21.5	21.5	20.62	3.3	3.2
14	29.0	23.8	24.7	23.01	3.3	3.2
16	31.3	27.0	27.0	24.61	3.3	3.2
18	33.7	30.2	31.0	26.97	3.3	3.2
20	36.9	33.4	34.2	29.36	3.3	3.2
22	40.1	36.5	37.4	31.75	3.3	3.2
24	43.2	39.7	40.5	34.93	4.1	4.0



GJB599 III SERIES ELECTRIACAL CONNECTORS

Suitable for GJB599III Series
(MIL-DTL-38999M)Series

04



PRODUCT INTRODUCTION

- Comply with GJB599B (MIL-DTL-38999M) III series
- Quick tri-start thread coupling with anti-decoupling mechanism
- Small size, light weight, high contact density
- EMI/RFI shielding
- Removable crimp contact, scoop-proof pin
- Withstanding high strength vibration under high temperature, and applied in harsh environment like wind, sand, moist, etc.
- 12 # , 16 # contact cavities can be filled with fiber optic contact
- 12 # , 10 # , 8 # contact cavities can be filled with coaxial contact or shielding contact



Application: The product is used to connect current and signal.

Operating environment: The products can be used in some harsh environments like strong vibration, rain, sand, humidity and so on.

【Main technical performance】

Mechanical performance

Shell: Aluminum alloy, stainless steel, titanium alloy Insulator: Thermoset plastic Grommet and seal: Silicone rubber

Plating: Type W: Olive green cadmium plating Type F: Electroless nickel plating Type K: Passivated stainless steel
Type FT: Aluminum alloy satin cadmium plating Type TA: Titanium alloy

Contact material: Gold plating copper alloy , crimping, soldering and PCB type

Durability: 500 cycles

Shock: At 3 ms half sinusoid, peak value of acceleration: 300g

Vibration: Sinusoid: 60g, with temperature cycling and simulating accessories (36 hours)

Random: At high temperature, frequency 100 ~ 1000Hz, power spectral density 1g²/Hz, corresponding to root mean square value 41.7g
At ambient temperature: frequency 100 ~ 1000Hz, power spectral density 5g²/Hz, corresponding to root mean square value 49.5g

Electrical performance:

Withstanding voltage: V

Service rating*	M	N	I	II
Sea level	1300	1000	1800	2300
21000m	800	600	1000	1000

Note: Different contact layouts have different working grades, see the mark on the upper right corner of the contact layout for derears.

Contact resistance and rated current:

Contact sizes	Operating diameter (mm)	Contact resistance (mΩ)	Rated current (A)
22D	Φ0.76	≤12	5
20#	Φ1.00	≤5	7.5
16#	Φ1.60	≤2.5	13
12#	Φ2.40	≤1.5	23
10#	Φ3.15	≤1.0	40

Insulation resistance: ≥ 5000MΩ (500VDC)

Shell-to-shell conductivity : Type W: 2.5mΩ; Type F, FT : 1.0mΩ; Type K, TA: 10mΩ

EMI shielding: 100MHz ~ 1GHz, the minimum attenuation is 85dB (type F, type W)
1GHz ~ 10GHz, the minimum attenuation is 65dB (type F), 50dB (type W)

8# Dual coaxial contact: Frequency bandwidth 0~20MHz, Voltage rating: Maximum 500VAC, 125VAC at 21000 meters.
Voltage drop: ≤55mV at 1A for inner and middle contact, ≤75mV for outer contact at 12A

Environmental performance

Operating temperature: Type W: -65° C ~ +175° C Type F, K, FT, TA: -65° C ~ +200° C

Salt spray: Type W: 500h Type K, TA: 1000h Type F: 48h/96h Type FT: 96h

Sealing: Comply with the requirement of MIL-C-38999M high altitude immersion

Humidity : 10 cycles in 24 hours according to MIL-C-38999M

Fluid immersion: Fuels, coolant, solvent

【Ordering information】

JT599 / 20 W B 35 P N - H - M1

Connector basic series

Conector type:

20- Square plate receptacle

24- Jam nut receptacle (round seat)

26- RFI shielded plug

(Three types can be installed with backshells)

Shell plating:

W - Aluminum alloy olive green cadmium plating

FT - Aluminum alloy satin cadmium plating

F - Aluminum alloy dlectroless nickel plating

TA - Titanium alloy

K - Stainless steel passive

Shell No.: A~J

09 11 13 15 17 19 21 23 25
A B C D E F G H J

Contact layout:

See "Contact layout" table

Contact type:

P-Pin, crimping and soldering type

PC- Pins, short PCB type

S- Socket, crimping and soldering type

SC- Socket, short PCB type

PL-Pin, long PCB type

A - Special pin contact

SL- Socket, long PCB type

B - Special socket dontact

Note:

1. GJB599A series is designed according to the same standard with MIL-DTL-38999K series. The difference is that: the basic part number of GJB599A is JT599, while MIL-DTL-38999K is D38999. The two series are interchangeable with each other.

2. A and B stand for the non-standard contact that are different from the GJB1611 standard (for example: shielding, coaxial, optic contact, etc.). These contact types need to be ordered separately, the part number details can be found in the instruction of GJB599 III series special contact.

3. If the operating environment requires high oil resistance, the connector sealing components should be fluorinated silicone rubber. When users order this product, add C1 at the end of the original part number.

4. When the product needs to be equipped with a conductive square pad, add C2 or (C2) at the end of the product model.

Example of model marking:

JT599/20KF18PN-M8: JT599 series square plate receptacle, stainless steel passive, #19 shell, #18 layout, filled with pin, N polarization, 8# four-differential contact.

Special contacts:

M1 -16# Coaxial contact

M2 -12# Coaxial contact

M3 -12# Shielding contact

M4 -8# Power contact

M5 -8# Single coaxial contact

M6 -8# Dual coaxial contact

M7 -8# Double differential contact

M8 -8# Four differential contact

Soldering contact identification (soldering connectors only):

H-Soldering contact

Polarization :

N - Normal;

A , B , C , D , E - Alternative

【Crimp contacts】

Contact sizes	Dia.(mm)	Pin color code	Socket color code	Inner dia. of crimp barrel(mm)	Outer dia. of crimp barrel(mm)	Section of wire(mm)	Acceptable Cable size (AWG)	Acceptable cables outside dia. (mm)	Removal tool code	Crimp-ing tool
22D	Φ0.76	orange-blue-black	orange-yellow-gray	0.85	1.20	0.08 0.125 0.2 0.3	28 26 24 22	0.76~1.37	M81969/14-01	YJQ-02
20#	Φ1.00	orange-blue-orange	orange-green-brown	1.17	1.78	0.2 0.3 0.5	24 22 20	1.02~2.11	M81969/14-10	YJQ-02 XCXY-01
16#	Φ1.60	orange-blue-yellow	orange-green-red	1.68	2.62	0.5 0.8 1.0 1.2	20 18 16	1.65~2.77	M81969/14-03	XCXY-01
12#	Φ2.40	orange-blue-green	orange-green-orange	2.49	3.84	2.0 3.0	14 12	2.46~3.61	M81969/14-04	XCXY-01
10#	Φ3.15	green-red-gray	green-orange-purple	3.40	4.65	4.8	10	3.42~4.12	M81969/14-05	XCXY-01 YTQ
8#	Φ3.60	—	—	4.55	6.4	8.37	8	6.4~6.9	M81969/14-12	YTQ

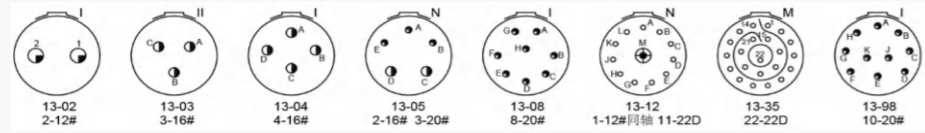
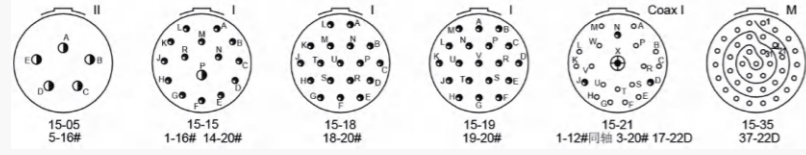
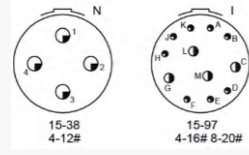
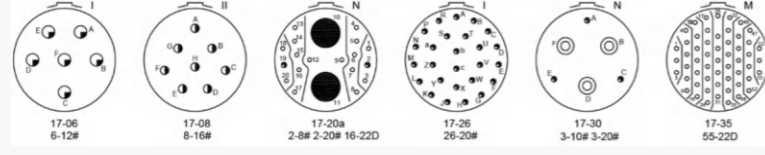
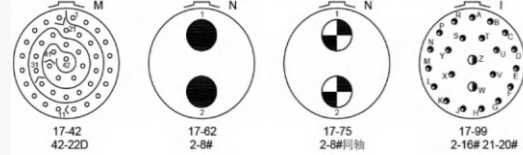
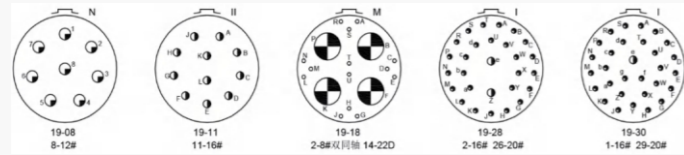
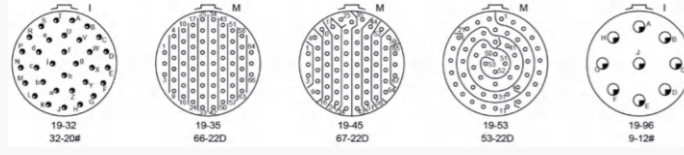
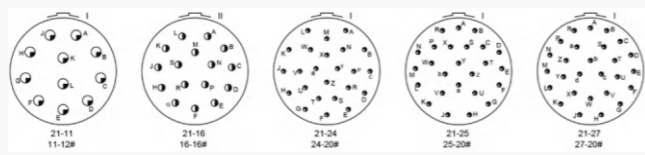
【Soldering contacts】

Contact sizes	Inner dia. of soldering cup	Max Acceptable Cable size(AWG)
22D	Φ0.9	22
20#	Φ1.1	20
16#	Φ1.9	16
12#	Φ2.9	12
10#	Φ3.6	10
8#	Φ4.8	8

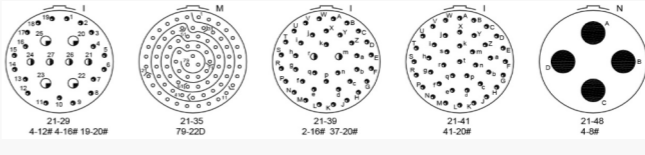

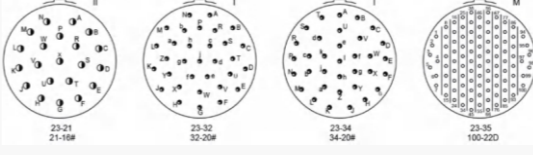
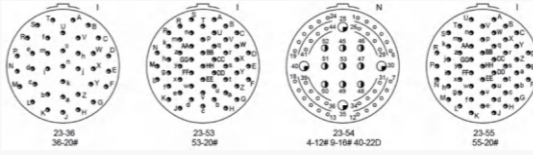
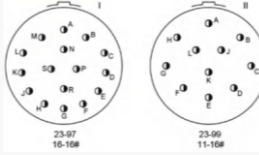
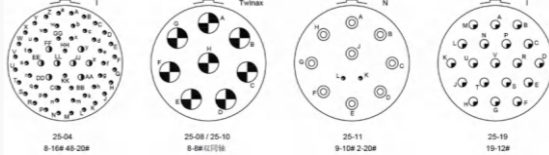
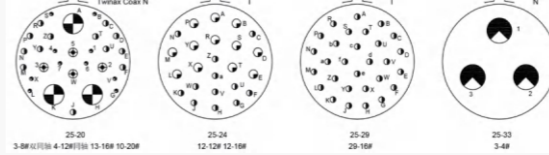
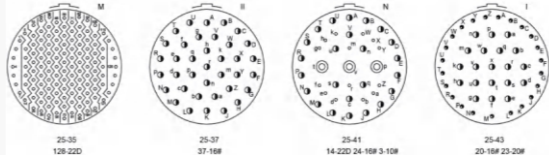
【Contact layout (viewed from front face of male insert)】

09 (A)								
11 (B)								

【Contact layout (viewed from front face of male insert)】

13 (C)	
15 (D)	
	
17 (E)	
	
19 (F)	
	
21 (G)	

【Contact layout (viewed from front face of male insert)】

21 (G)	
	
23 (H)	
	
25 (J)	
	
25 (J)	
	

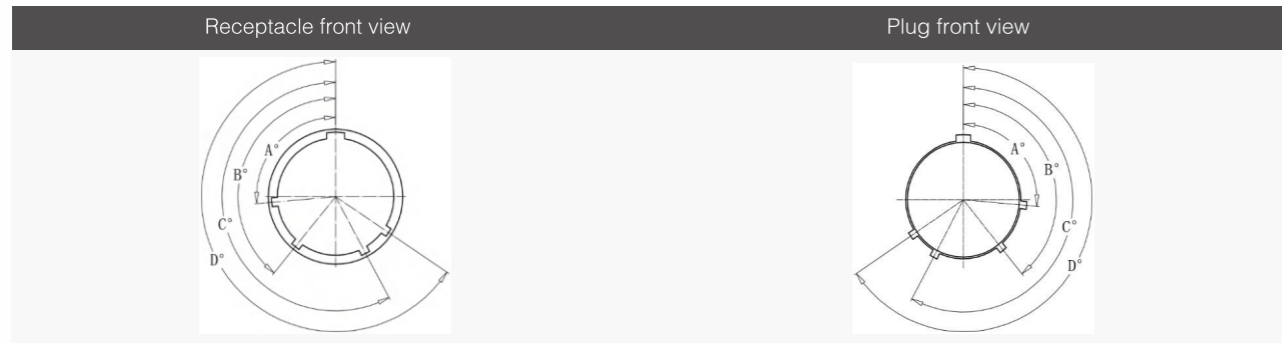
【Contact layout (viewed from front face of male insert)】

25 (J)

23 22D 20# 16# 16#屏蔽 12# 12#屏蔽 12#同轴 10# 8#单同轴 8#双同轴 8# 8#差分4芯 8#差分2芯 4#

23 22D 20# 16# 16#shielding 12# 12#shielding 12#coaxia 10# 8#single coaxial 8#dual coaxial 8# 8#four differential 8#double differential 4#

【Polarization】



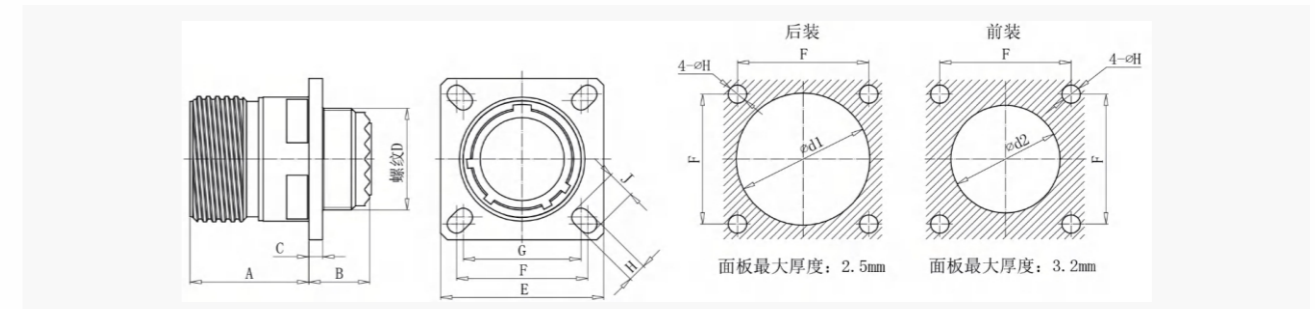
Shell No.	MS Shell No.	Polarization	N	A	B	C	D	E
9	A	A°	105	102	80	35	64	91
		B°	140	132	118	140	155	131
		C°	215	248	230	205	234	197
		D°	265	320	312	275	304	240
11	B	A°	95	113	90	53	119	51
13	C	B°	141	156	145	156	146	141
15	D	C°	208	182	195	220	176	184
		D°	236	292	252	255	298	242
17	E	A°	80	135	49	66	62	79
19	F	B°	142	170	169	140	145	153
21	G	C°	196	200	200	200	180	197
23	H	D°	293	310	244	257	280	272
25	J							

【Outline dimensions】

【JT599/26 Plug】

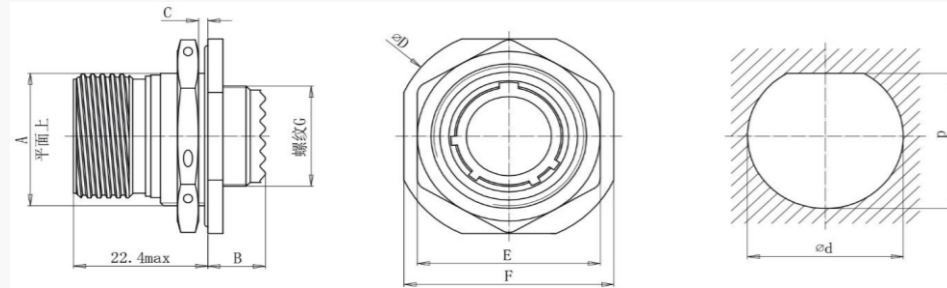
Shell No.	MS Shell No.	A	Thread D4
09	A	21.5	M12 × 1.0 -6g
11	B	25.0	M15 × 1.0 -6g
13	C	29.2	M18 × 1.0 -6g
15	D	32.4	M22 × 1.0 -6g
17	E	35.6	M25 × 1.0 -6g
19	F	38.5	M28 × 1.0 -6g
21	G	41.7	M31 × 1.0 -6g
23	H	44.9	M34 × 1.0 -6g
25	J	48.0	M37 × 1.0 -6g

【JT599/20 Square flange receptacle】



Shell No.	MS Shell No.	A max	B max	C max	D Thread	E	F	G	H	J	d1 min	d2 min
9	A	20.9	10.8	2.5	M12 × 1.0 -6g	23.8	18.26	15.09	3.25	5.49	16.66	13.11
11	B	20.9	10.8	2.5	M15 × 1.0 -6g	26.2	20.62	18.26	3.25	4.93	20.22	15.88
13	C	20.9	10.8	2.5	M18 × 1.0 -6g	28.6	23.01	20.62	3.25	4.93	23.42	19.05
15	D	20.9	10.8	2.5	M22 × 1.0 -6g	31.0	24.61	23.01	3.25	4.39	26.59	23.01
17	E	20.9	10.8	2.5	M25 × 1.0 -6g	33.3	26.97	24.61	3.25	4.93	30.96	25.81
19	F	20.9	10.8	2.5	M28 × 1.0 -6g	36.5	29.36	26.97	3.25	4.93	32.94	28.98
21	G	20.1	11.5	3.2	M31 × 1.0 -6g	39.7	31.75	29.36	3.25	4.93	36.12	32.16
23	H	20.1	11.5	3.2	M34 × 1.0 -6g	42.9	34.93	31.75	3.91	6.15	39.29	34.93
25	J	20.1	11.5	3.2	M37 × 1.0 -6g	46.0	38.10	34.93	3.91	6.15	42.47	37.69

【 JT599/24 Jam nut receptacle 】

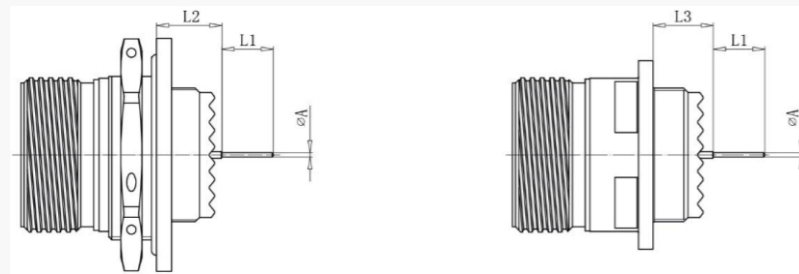


Shell No.	MS Shell No.	A	B max	C max	D max	E	F	G Thread	d	P
9	A	16.5	9.9	3.2	30.5	22.5	27.1	M12 × 1.0-6g	17.70	17.00
11	B	19.2	9.9	3.2	35.2	25.7	32.1	M15 × 1.0-6g	20.88	19.53
13	C	23.8	9.9	3.2	38.4	30.5	35.0	M18 × 1.0-6g	25.58	24.26
15	D	26.9	9.9	3.2	41.6	33.6	38.3	M22 × 1.0-6g	28.80	27.53
17	E	30.3	9.9	3.2	44.8	36.8	41.8	M25 × 1.0-6g	32.01	30.73
19	F	33.4	9.9	3.2	49.3	40.0	46.4	M28 × 1.0-6g	35.15	33.86
21	G	36.5	9.9	3.2	52.7	43.2	49.6	M31 × 1.0-6g	38.28	37.06
23	H	39.7	9.9	3.2	55.9	46.3	52.8	M34 × 1.0-6g	41.53	40.2
25	J	42.8	9.9	3.2	59.0	51.0	55.8	M37 × 1.0-6g	44.68	43.41

【 GJB599III Series receptacle with PCB contact type 】

JT599/24 Receptacle

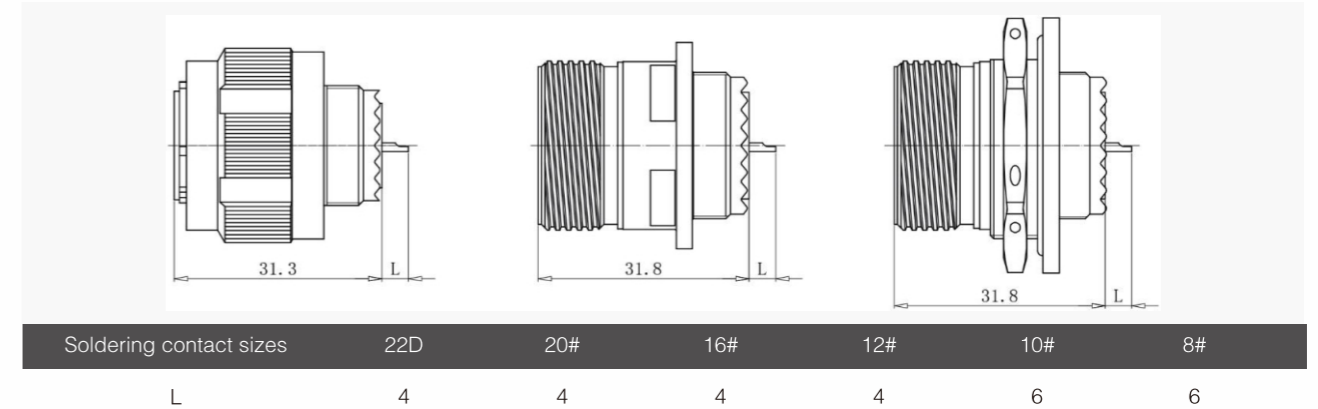
JT599/20 Receptacle



PCB contact type		L1	A
22D	Long PCB Contact	8.5	0.7
	Short PCB Contact	4.0	
20#	Long PCB Contact	8.5	0.7
	Short PCB Contact	5.1	
16#	Long PCB Contact	8.5	
	Short PCB Contact	5.1	1.15

Dimensions with different contacts		Shell No. 09 -11	Shell No. 13 15 17 19 21 23 25
L2	With 22D pin	10.52-11.46	10.34-11.28
	With 22D socket	10.19-11.46	10.01-11.28
	With 16# or 20# pin and socket	10.69-11.45	10.51-11.45
L3	With 22D pin	9.48-10.58	9.48-10.58
	With 22D socket	9.15-10.58	9.15-10.58
	With 16# or 20# pin and socket	9.65-10.75	9.65-10.75

【 GJB599 III Series soldering connector 】



【 Protective caps for plug and receptacle 】

Basic series: JT599/ 32 F 15 N

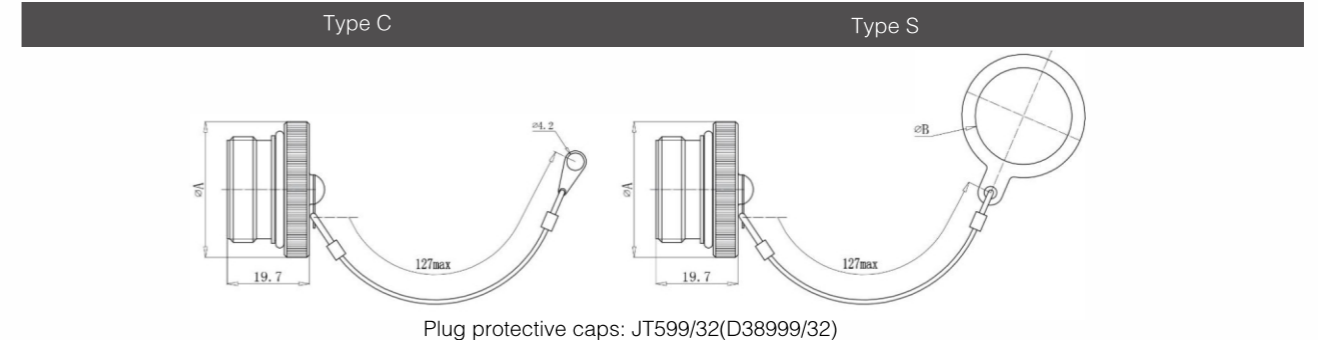
Type: 32—Plug protective cap (D38999/32)
33—Receptacle protective cap (D38999/33)

Shell plating: W—Aluminum alloy olive green cadmium plating
F—Aluminum alloy electroless nickel plating K—Stainless steel passive

Shell No.: 09-11-13-15-17-19-21-23-25

Fixing type: R—Stainless steel string with connecting plate (for square flange receptacle)
N—Stainless steel string with ring (for jam nut receptacle)
C—Nylon string with connecting plate (for square flange recep-)

(Note: The protective cap should be ordered separately, not supplied with the connector, and can be customized according to customer requirements)



Plug protective caps: JT599/32(D38999/32)

	Type C					Type S				
Receptacle protective caps: JT599/33(D38999/33)										
Shell No.	09	11	13	15	17	19	21	23	25	
A	22.5	26.5	29.5	32.5	36	38.4	41.7	44.4	48.3	
B min	12.92	17.78	19.27	22.6	25.62	28.95	31.97	34.03	38.32	
C	22.5	26.5	29.5	32.5	36	38.4	41.7	44.4	48.3	
D min	17.78	21.33	25.62	28.95	31.97	35.3	38.32	41.65	44.45	

GJB599 III SERIES BACKSHELLS ELECTRIACAL CONNECTORS

For GJB599 III Series
(MIL-DTL-38999M) Series



【Special backshells (For GJB599 Series)】

Comply with GJB1784 (equivalent to MIL-C-85049)

Note:

- For the accessories listed below, part number "JT1784" is the same with "JT1784 A".
- The below steps can help prevent looseness. When using the accessories, at least one step should be adapted:
 - u Put the fuse through the socket to anti looseness;
 - v Coat some thread glue at the product termination, and tighten the jam nut;
 - w Use heat shrink sleeve against looseness.
- For the accessory which carries a set screw, coat some thread glue on the set screw first and then tighten the screw.
- If the applicable products of the cable accessory is mounted with 8# contact, please choose longer cable accessory, such as JT1784/38H type or JT1784/18 type; this is meant to prevent the contact positioner affects the cable accessory.

【Ordering information】

Basic series

Type: 14 – Back nut 16 – Right angle cable clamp 20 – Shielding backshells
38 – Straight cable clamp 69 – Heat shrink sleeve backshells

Accessory shell No.: 09 – 11 – 13 – 15 – 17 – 19 – 21 – 23 – 25

Shell plating: W – Olive green cadmium plating

N – Electroless nickel plating

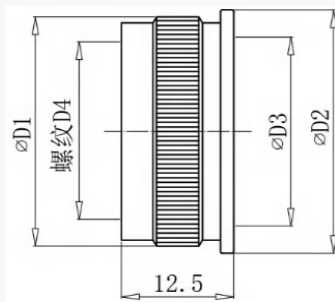
S – Stainless steel passive

JT1784 / 38 - 15 W

【Outline dimensions】

【JT1784/14-Back nut】

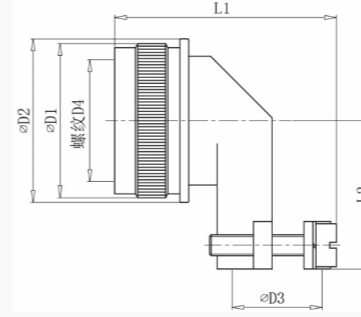
Shell No.	D1	D2	D3	Thread D4
09	16.5	17.6	7.9	M12 × 1.0
11	19.5	20.6	10.8	M15 × 1.0
13	22.5	23.6	13.6	M18 × 1.0
15	26.5	27.6	16.9	M22 × 1.0
17	29.5	30.3	20.1	M25 × 1.0
19	32.5	33.3	22.4	M28 × 1.0
21	36.0	36.8	25.6	M31 × 1.0
23	38.5	39.3	28.8	M34 × 1.0
25	41.7	42.3	31.9	M37 × 1.0



Anti-rotating accessory. This type tightens the grommet to insure the connector's environmental characteristics. This type can not clamp the cable.

【 JT1784/16-Right angle cable clamp (clamping and non-shielding cable accessory) 】

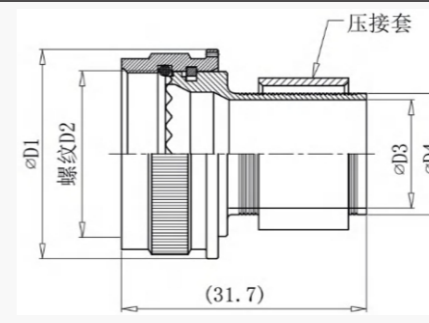
Shell No.	D1	D2	D3	Thread D4	L1 max	L2 max
09	16.5	17.6	3.2~6.4	M12 × 1.0	29.0	25.0
11	19.5	20.6	4.0~9.5	M15 × 1.0	32.0	26.0
13	22.5	23.6	4.8~11.1	M18 × 1.0	33.5	27.5
15	26.5	27.6	5.5~14.3	M22 × 1.0	36.5	31.0
17	29.5	30.3	6.4~15.9	M25 × 1.0	38.5	32.5
19	32.5	33.3	7.9~19.1	M28 × 1.0	41.5	34.0
21	36.0	36.8	9.5~22.2	M31 × 1.0	44.5	34.5
23	38.5	39.3	10.3~23.8	M34 × 1.0	46.0	36.5
25	41.7	42.3	14.3~25.4	M37 × 1.0	48.0	43.5



Anti-rotation, cable 90° clamping cable accessories, can tighten the sealing body, 90° clamping cable function, to ensure the environmental resistance of the connector, used in the occasion where the cable is under tension.

【 JT1784/20-Shielding backshells (shielding and non-clamping cable accessory) 】

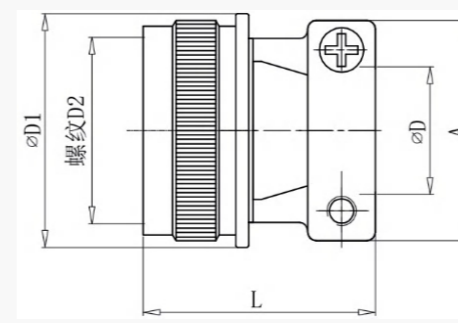
Shell No.	D1	Thread D2	D2	D3
09	17.6	M12 × 1.0	6.55	8.81
11	20.6	M15 × 1.0	8.63	12.65
13	23.6	M18 × 1.0	10.90	12.95
15	27.6	M22 × 1.0	14.10	16.00
17	30.3	M25 × 1.0	17.25	19.30
19	33.3	M28 × 1.0	20.40	22.61
21	36.8	M31 × 1.0	23.60	25.65
23	39.3	M34 × 1.0	26.40	28.70
25	42.3	M37 × 1.0	28.40	30.53



The anti-rotation and clamping cable accessories can tighten the cable body and clamp the cable to ensure the environmental resistance of the connector, and it is used in the occasion where the cable is under tension.

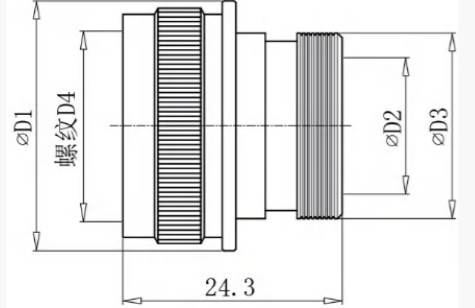
【 JT1784/38-Straight cable clamp (clamping and non-shielding cable accessory) 】

Shell No.	D1	Thread D2	D	A	L
09	17.6	M12 × 1.0	2.49~5.94	20	23.6
11	20.6	M15 × 1.0	3.87~5.94	22	24.6
13	23.6	M18 × 1.0	4.83~8.33	24.5	26.7
15	27.6	M22 × 1.0	6.60~11.61	26	27.7
17	30.3	M25 × 1.0	7.19~15.60	30.5	27.7
19	33.3	M28 × 1.0	8.26~16.10	35	29
21	36.8	M31 × 1.0	8.71~17.73	38	30.4
23	39.3	M34 × 1.0	9.68~20.90	41	32.4
25	42.3	M37 × 1.0	10.62~21.66	44	34.4



The anti-rotation and clamping cable accessories can tighten the cable body and clamp the cable to ensure the environmental resistance of the connector, and it is used in the occasion where the cable is under tension.

【 JT1784/69-Heat shrink sleeve backshells (shielding and non-clamping cable accessory) 】



Model	D1	D2	D3	Thread D4
09	16.5	6.9	11.0	M12 × 1.0
11	19.5	9.8	14.0	M15 × 1.0
13	22.5	12.8	17.6	M18 × 1.0
15	26.5	16.3	20.5	M22 × 1.0
17	29.5	19.4	24.0	M25 × 1.0
19	32.5	21.6	26.4	M28 × 1.0
21	36.0	25.0	30.0	M31 × 1.0
23	38.5	27.7	33.2	M34 × 1.0
25	41.7	20.3	36.2	M37 × 1.0

The anti-rotation and compression shielding mesh accessories can tighten the cable body, provide the connection function between the shielding mesh and the Back accessories, and ensure the environmental resistance and electromagnetic shielding performance of the connector. It cannot clamp the cable and is used in occasions where the cable is subject to a small tension. It is applied in normal environment.

【 JT1784/18-**N Ordering information 】

JT1784/ 18 - 17 N 04 A

Basic series _____

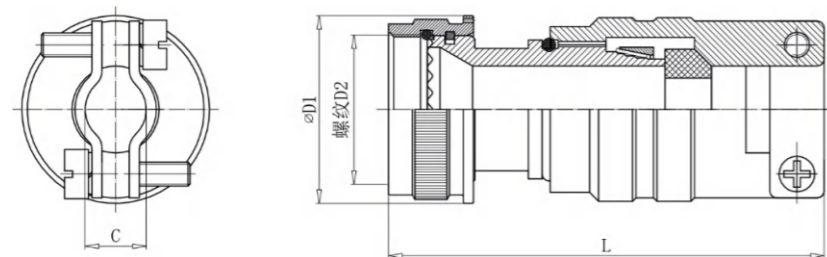
Type: 18-Straight shielding cable clamp _____

Shell No.: 09-11-13-15-17-19-21-23-25 _____

Shell plating: W - Olive green cadmium plating N - Electroless nickel plating S - Stainless steel passive _____
 FT - Aluminum alloy satin cadmium plating TA - Titanium alloy _____

Outlet dia. No.: See table 1 and table 2 for reference _____

Length code: See table 3 _____



Anti-rotation, compression shielding net and clamping cable accessories, can tighten the sealing body, provide the function of connecting the shielding net and the Back accessories, and ensure the high environmental resistance and electromagnetic shielding performance of the connector. It is used in harsh environments. The cable The accessories have different lengths, which are suitable for occasions where high and low frequencies are mixed and require longer accessories. It is recommended to use finished cables for this accessory.

【 JT1784/18-**N Ordering information 】

【 Table 1 】

Shell No.	Outlet dia. No.	D1	Thread D2
09	01~02	16.5	M12 × 1.0
11	01~03	19.5	M15 × 1.0
13	02~04	22.5	M18 × 1.0
15	02~05	26.5	M22 × 1.0
17	02~06	29.5	M25 × 1.0
19	03~07	32.5	M28 × 1.0
21	03~08	36.0	M31 × 1.0
23	03~09	38.5	M34 × 1.0
25	04~10	41.7	M37 × 1.0

【 Table 2 】

Outlet dia. No.	Applicable cable diameter range C
01	1.57~3.18
02	3.18~6.35
03	6.35~9.53
04	9.53~12.7
05	12.7~15.88
06	15.88~19.05
07	19.05~22.23
08	22.23~25.4
09	25.4~28.58
10	28.58~31.75

【 Table 3 】

Shell No.	Length code	L
09~25	Standard (omit not marked)	64.1
09~25	A	88.1
15~25	B	113.5
21~25	C	138.9

【 Special backshells (For GJB599 III Serie) 】

This type of backshells is designed to clamp tightly the shielding cable with shielding net, which falls into straight and right Polarization categories. The accessory can be used with Ti-Ni alloy memory ring. After heated, the ring will shrink and clamp shielding layer on the end of the accessory and achieve 360° EMI shielding.

Note:

Ti-Ni alloy memory ring's heating and shrinking: using hot-wind gun to heat. The process takes about 45 seconds to 1 minute. When the temperature color indicator of memory ring change from green to black, it means that memory ring has been shrunk and heating should be stopped. At this time, the temperature of ring is about 165 °C. Please note that memory ring should be symmetrically heated.

【Ordering information】

【 JT1784/88, JT1784/90 Shielding backshells (shielding and non-clamping cable accessory) 】

JT1784/ 88 - 13 N A 03

Basic series _____

Series code: 88—Straight, 90—Right angle _____

Accessory shell No.: 09 11 13 15 17 19 21 23 25
A B C D E F G H J _____

Shell plating: W – Olive green cadmium plating N – Electroless nickel plating S – Stainless steel passive
FT – Aluminum alloy satin cadmium plating TA – Titanium alloy (for Type 88 only) _____

Contact type: No mark – Without Ti–Ni ring A – With Ti–Ni ring _____

Outlet diameter or Ti–Ni ring size: Without Ti–Ni ring, specify outlet diameter; With Ti–Ni ring, specify size of Ti–Ni ring _____

【 JYT599 III -FJA00, JYT599 III -FJA90 Shielding backshells (shielding and non-clamping cable accessory) 】

JYT599 III 13 FJA 00 F A 03

Basic series _____

Series code: For GJB599 III Series _____

Accessory shell No.: 09 11 13 15 17 19 21 23 25 _____

Accessory type: FJA, FJB, FJC, FJE _____

Structure : 00 – Straight 90 – 90° right angle Titanium alloy (for Type 88 only) _____

Shell plating: W – Olive green cadmium plating N – Electroless nickel plating S – Stainless steel passive
F – Aluminum alloy satin cadmium plating T – Titanium alloy (for Type 85 only) _____

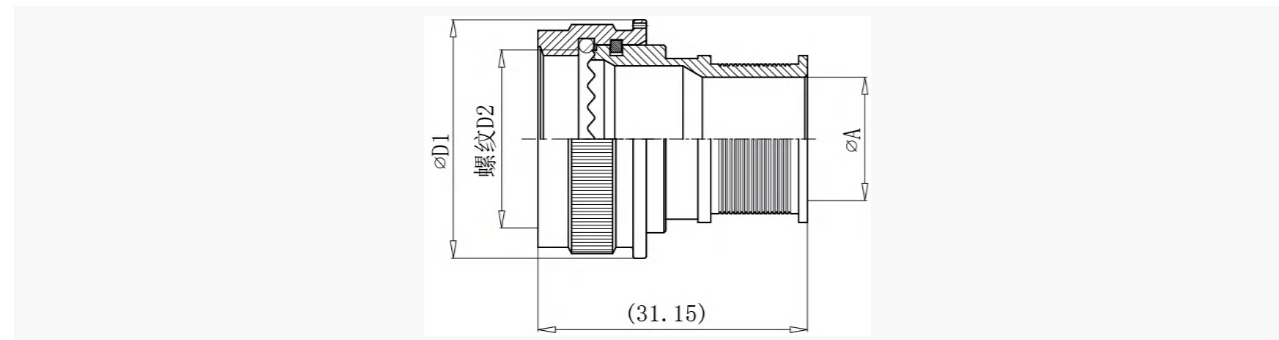
Ti–Ni ring: No mark – Without Ti–Ni ring A – With Ti–Ni ring _____

Outlet diameter or Ti–Ni ring size: Without Ti–Ni ring, specify outlet diameter; With Ti–Ni ring, specify size of Ti–Ni ring _____

- Note:**
- This type of accessory is applied in harsh environment where disassembling is not frequently needed. It can achieve shielding both inside and outside.
 - JT1784/85, JT1784/87 is the same with JYT599–FJA00 and JYT599 I –FJA90. Only the naming is different.

【Outline dimensions】

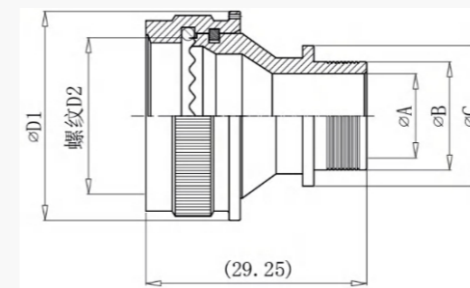
【 Straight backshells (JT1784/88 or JYT599 III -FJA00) 】



Shell No.	D1	Thread D2	A (02 Outlet)	A (03 Outlet)
09	17.6	M12 × 1.0	N/A	6.4
11	20.6	M15 × 1.0	N/A	7.9
13	23.6	M18 × 1.0	7.9	11.1
15	27.6	M22 × 1.0	11.1	14.3
17	30.3	M25 × 1.0	12.7	15.9
19	33.3	M28 × 1.0	15.9	19.1
21	36.8	M31 × 1.0	15.9	20.6
23	39.3	M34 × 1.0	17.5	23.8
25	42.3	M37 × 1.0	19.1	25.4

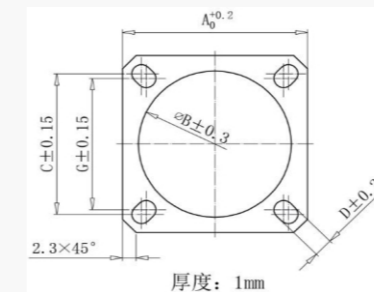
【 JYT599 III **FJC00 (shielding and non-clamping cable accessory) 】

Shell No.	D1	Thread D2	A	B	C
09	21.6	M12 × 1.0	6.6	9.3	13.3
11	24.7	M15 × 1.0	8.3	11	15
13	28.6	M18 × 1.0	10	12.7	16.6
15	31.5	M22 × 1.0	11.1	14.3	18.5
17	35.5	M25 × 1.0	13.1	15.9	19.8
19	38.5	M28 × 1.0	16.2	19	23
21	41.6	M31 × 1.0	16.2	19	23
23	44.6	M34 × 1.0	19.5	22.2	26.2
25	47.6	M37 × 1.0	19.5	22.2	26.2



【 599-III Square flange cushion 】

Shell No.	A	B	C	G	D
09	23.9	16.1	18.26	15.09	3.3
11	26.3	19.2	20.62	18.26	3.3
13	28.7	22.4	23.01	20.62	3.3
15	31.1	25.6	24.61	23.01	3.3
17	33.4	30.4	26.97	24.61	3.3
19	36.6	32.0	29.36	26.97	3.3
21	39.8	34.9	31.75	29.36	3.3
23	43.0	38.3	34.93	31.75	4.0
25	46.1	41.4	38.10	34.93	4.0



【GJB599 I、III、IV series special contact】

Specification	MIL P/N	GJB P/N	Remark
12#Pin	M39029/58-365	JT1216/58-365	
12#Socket	M39029/56-353	JT1216/56-353	
12#Shielding pin	M39029/28-211	JT1216/28-211	
	M39029/28-412	JT1216/28-412	
12#Shielding socket	M39029/75-416	JT1216/75-416	
	M39029/75-422	JT1216/75-422	
12#Coaxial pin	M39029/102-558	JT1216/102-558	
12#Coaxial socket	M39029/103-559	JT1216/103-559	
8#Dual coaxial pin	M39029/90-529	JT1216/90-529	
8#Dual coaxial socket	M39029/91-530	JT1216/91-530	
8#Single coaxial pin	M39029/60-367	JT1216/60-367	
8#Single coaxial socket	M39029/59-366	JT1216/59-366	
8#Four differential pin			
8#Four differential socket			

**GJB598 I SERIES
ELECTRIACAL CONNECTORS**

For GJB598 I Series
(MIL-C -26482 I Series)



PRODUCT INTRODUCTION

- Comply with GJB598 (MIL-C-26482) Series I
- Quick bayonet coupling
- Soldering contact
- Small size, high density and excellent environmental performance
- Applications: Widely used in military and industry fields

Application: The product is used to connect current and signal.

Operating environment: The product can be applied in military and industry field. It has excellent environmental characteristics: Anti-moisture, salt spray, mould, rain, dust, etc.

【Main technical performance】

Mechanical performance

Shell material: Aluminum alloy

Plating: Not marked: Olive drab cadmium plating, conductive shell
 Type A: Black anodized plating, non-conductive shell
 Type S: Stainless steel passive, conductive shell

Type L: Electroless nickel plating, conductive shell

Type B: Olive green cadmium plating, conductive shell

Type BW: Olive green cadmium plating, conductive shell

Insulator material: Thermoset plastic Grommet and seal material: Silicone rubber

Contacts: Gold-plated copper alloy

Durability: 500 cycles

Shock: Acceleration 490m/s²

Random vibration: Frequency 10~2000Hz, Acceleration m/s²

Electrical performance:

Operating voltage and withstanding voltage: V

Service rating*	Working voltage		Withstanding voltage	
	I	II	I	II
Sea level	600	1000	1500	2300
21336m	300	450	375	500

Note: Different Contact layouts have different Service ratings, see the mark on the upper right corner of the contact layout for derears.

Contact resistance and rated current:

Contact sizes	Operating diameter (mm)	Contact resistance (mΩ)	Rated current (A)
20#	Φ1.00	≤5	7.5
16#	Φ1.60	≤2.5	13
12#	Φ2.40	≤1.5	23

Insulation resistance: ≥5000MΩ at 25°C, ≥3MΩ at 125°C



【Main technical performance】

Environmental performance

Operating temperature: -55 °C ~ +125 °C

Relative humidity: 95 ± 4% at 40 °C

Salt spray: Cadmium plating: 500h Nickel plating: 48h/96h

Grommet sealing: Pressure difference 2 × 10⁵ Pa, leakage rate is less than 4.6 × 10² Pa · cm³/s

Hermetic: Pressure difference 1 × 10⁵ Pa, leakage rate less than 0.1Pa · cm³/s

【Ordering information】

【Normal non-sealing plug/receptacle】

JYT 3110 E 18- 35 P N L

Connector basic series _____

Connector type: _____

3110 – Bulkhead square flange receptacle (E, F, P, J, R types available)

3111 – Cable connecting receptacle (E, F, P, J, R types available)

3112 – Box square flange receptacle (E, B types available)

3114 – Jam nut receptacle (E, F, P, J, R types available)

3116 – Straight plug (E, F, P, J, R types available)

Type: _____

E – Grommet sealing, conductive shell

F – Grommet sealing with cable clamp, conductive shell

P – Potted sealing, conductive shell

J – Armored cable sealing, conductive shell

B – PCB type

R – Without backshells

Shell No. : **08 -10-12 -14-16 -18-20 -22-24** _____

Contact layout: See "Contact layout" table _____

Contact type : **P**-Pin **S**-Socket _____

Insulation mounting plate position : N.W.X.Y.Z _____

Shell plating : **Unmarked** (Olive drab cadmium plating

BW -Olive green cadmium plating

L -Electroless nickel plating

S -Stainless steel passive

A - Black anodized platingplating

B -Olive green cadmium plating

Note :

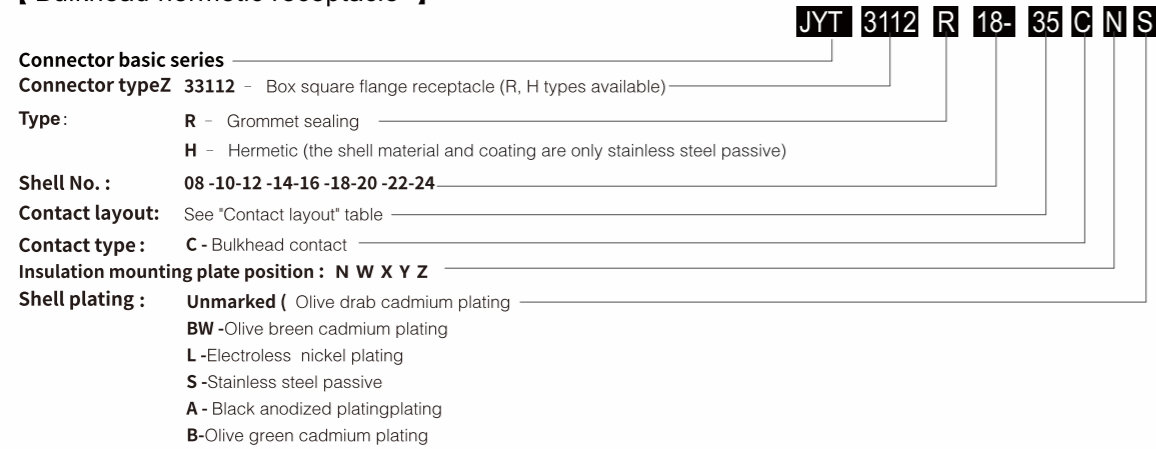
1. GJB598 series, MIL-C-26482 series, and YB series are made according to the same standard. The difference is in the basic part number: GJB598 series is JYT, while MIL-C-26482 series is MS, and YB series is YB. The 3 series are interchangeable with each other.
2. 3110, 3111, 3112, 3114, 3116 used soldering contact.
3210, 3211, 3212, 3214, 3216 used crimping contact.

Example of type marking

JYT3110E18 -35PNL: JYT series 3110 bulkhead square flange receptacle, grommet sealing, conductive shell, #18 shell, # 35 layout, filled with pin, N polarization, electroless nickel plating .Anti-moisture, salt spray, mould, rain, dust, etc.

【Ordering information】

【Bulkhead hermetic receptacle】



Note :

1. GJB598 series, MIL-C-26482 series, and YB series are made according to the same standard. The difference is in the basic part number: GJB598 series is JYT, while MIL-C-26482 series is MS, and YB series is YB. The 3 series are interchangeable with each other.

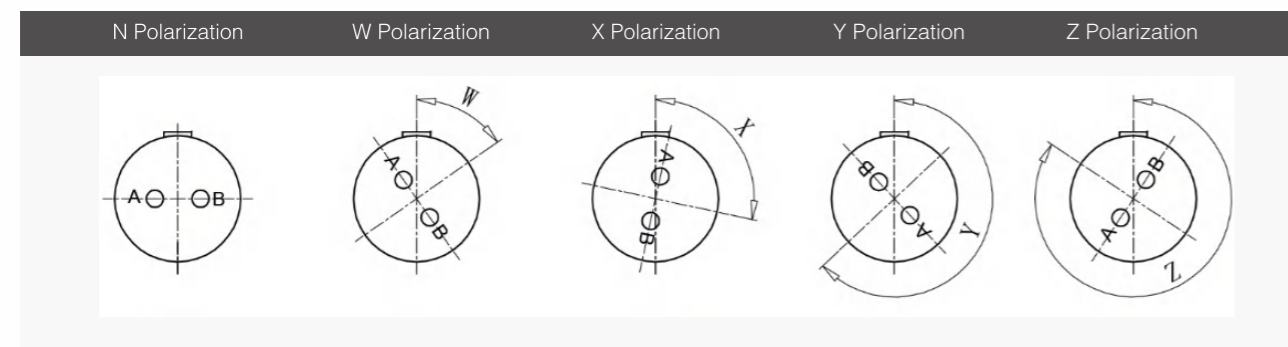
2. For H type hermetic bulkhead receptacle, the mated sockets-filled plug with the same shell, Contact and plating has two types, left plug and right plug. The part numbers of the 2 plug types are different. Right plug is the same with normal types, and left plug needs to plus "-U" at the end of the normal types.

For example: bulkhead receptacle JYT3112H16-26CNS, mated plugs are JYT3116E16-26SNS, JYT3116E16-26SNS-U.

Example of type marking

JYT3112R18-35CNS: JYT series 3112 box square flange receptacle, grommet sealing, conductive shell, #18 shell, #35 layout, N polarization position, stainless steel passive plating.

【Polarization (insert rotates inside shell)】



Polarization: Viewed from the front of the pin, the rotation Polarization is shown in the figure above.

Shell No.	Layout	Polarization				
		N	W	X	Y	Z
08	08-2	0	58	122	-	-
	08-3	0	60	210	-	-
	08-4	0	45	-	-	-
	08-33	0	90	-	-	-
	08-98	0	-	-	-	-
10	10-6	0	90	-	-	-
	10-7	0	-	-	-	-
	10-98	0	90	180	240	270
12	12-3	0	-	-	180	-
	12-4	0	45	-	-	-
	12-8	0	90	112	203	292
	12-10	0	60	155	270	295
14	14-4	0	45	-	-	-
	14-5	0	40	92	184	273
	14-9	0	15	90	180	240
	14-12	0	43	90	-	-
	14-15	0	17	110	155	234
	14-18	0	15	90	180	270
	14-19	0	30	165	315	-
	14-22	0	45	-	-	-
	16-8	0	54	152	180	331
	16-14	0	25	78	180	240
16	16-23	0	158	270	-	-
	16-26	0	60	-	275	338
	16-99	0	66	156	223	340

Shell No.	Layout	Polarization				
		N	W	X	Y	Z
18	18-8	0	180	-	-	-
	18-11	0	62	119	241	340
	18-30	0	180	193	285	350
	18-32	0	85	138	222	265
	18-85	0	45	90	180	240
20	20-16	0	238	318	333	347
	20-24	0	70	145	215	290
	20-27	0	72	144	216	288
	20-39	0	63	144	252	333
22	20-41	0	45	126	225	-
	20-90	0	18	60	240	270
	22-12	0	-	-	-	-
	22-19	0	15	90	225	308
24	22-21	0	16	135	175	349
	22-32	0	72	145	215	288
	22-34	0	62	142	218	298
	22-41	0	39	135	264	-
	22-55	0	30	142	226	314
	22-95	0	26	180	266	-
	24-19	0	30	165	315	-
24	24-27	0	45	110	140	225
	24-31	0	90	225	255	-
	24-61	0	90	180	270	324

【Contact layout (viewed from front face of male insert)】

08	
10	
12	
14	
16	
18	
20	

【Contact layout (viewed from front face of male insert)】

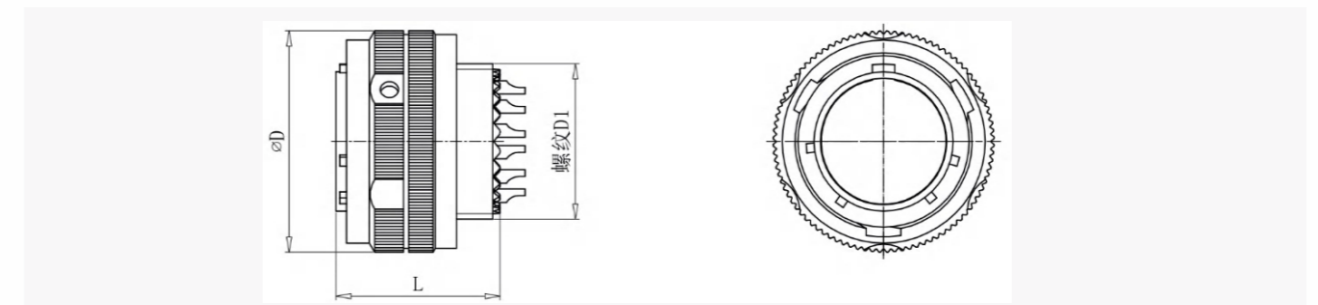
20	
22	
24	

Contact sizes 20# 16# 12#

This series of products adopts insulator polarization in accordance with GJB598 design. The insulator polarization in the standard has design flaws, and the evenly distributed contact around the circumference of the polarization cannot effectively prevent mis-insertion. For example: 08-2, 08-4, 08-33, 10-6, 10-98, 12-4, 14-4, 16-23, 16-26, 18-11, 18-32, 20-41 contact, please pay attention when selecting the model.

【Outline dimensions】

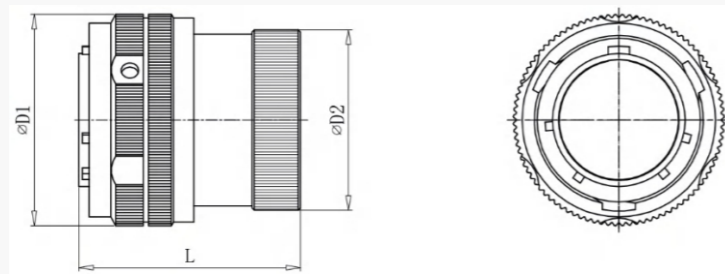
【 JYT3116R [Straight plug type R] 】



【 JYT3116R [Straight plug type R] 】

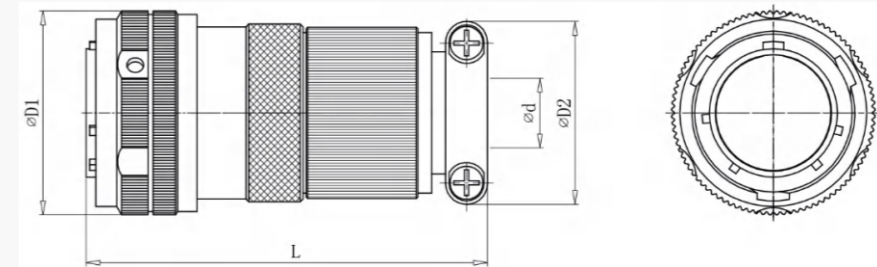
Shell No.	L	D	Thread D1 UNEF -2A
08	21.7	18.8	0.4375 -28
10	21.7	21.5	0.5625 -24
12	21.7	25.8	0.6875 -24
14	21.7	29.2	0.8125 -20
16	21.7	32.3	0.9375 -20
18	21.7	35.4	1.0625 -18
20	23.3	38.5	1.1875 -18
22	23.3	41.7	1.3125 -18
24	23.3	44.7	1.4375 -18

【 JYT3116E [Straight plug type E] 】



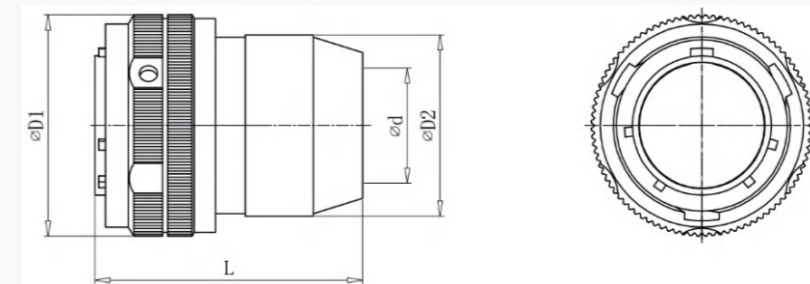
Shell No.	L	D1	D2
08	30.7	18.8	15.5
10	30.7	21.5	18.7
12	30.7	25.8	21.7
14	30.7	29.2	24.9
16	30.7	32.3	28.2
18	30.7	35.4	31.2
20	32.3	38.5	34.6
22	32.3	41.7	37.6
24	32.3	44.7	40.9

【 JYT3116F [Straight plug type F] 】



Shell No.	L	D1	D2	d max
08	44.0	18.8	18.2	5.5
10	44.0	21.5	20.2	8.15
12	44.0	25.8	23.2	10.0
14	44.0	29.2	26.2	10.0
16	44.0	32.3	31.2	13.0
18	44.0	35.4	34.2	16.0
20	45.6	38.5	34.2	16.0
22	45.6	41.7	38.2	19.3
24	45.6	44.7	41.2	20.6

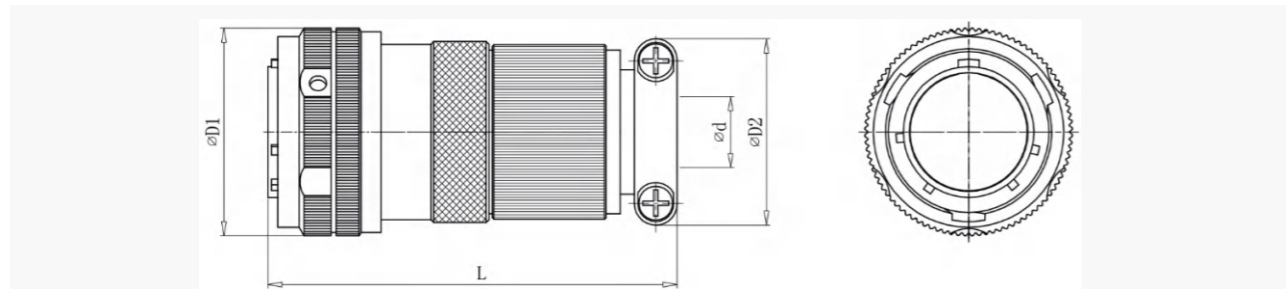
【 JYT3116P [Straight plug type P] 】



【 JYT3116P [Straight plug type P] 】

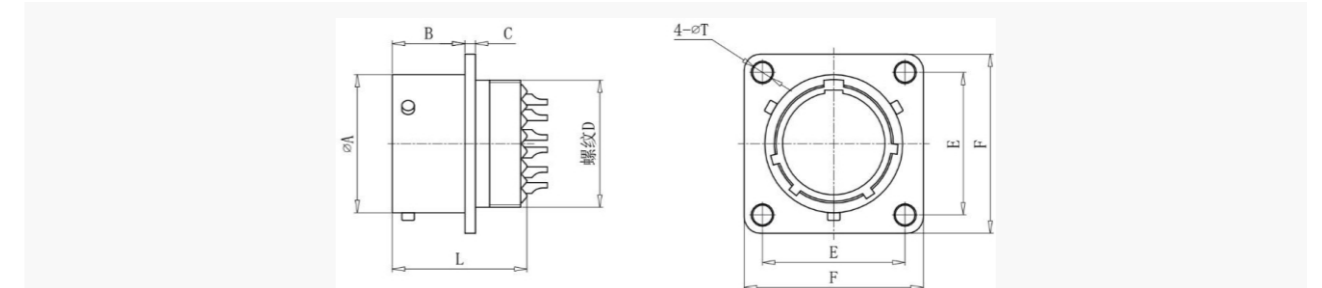
Shell No.	L max	D1	D2	d max
08	36.2	18.8	15.3	10.46
10	36.2	21.5	17.7	13.55
12	36.2	25.8	21.7	13.96
14	36.2	29.2	23.9	17.42
16	36.2	32.3	27.0	20.56
18	37.7	35.4	30.5	23.66
20	42.4	38.5	33.6	23.92
22	42.4	41.7	37.1	25.52
24	42.8	44.7	40.0	32.00

【 YT3116J [Straight plug type J] 】



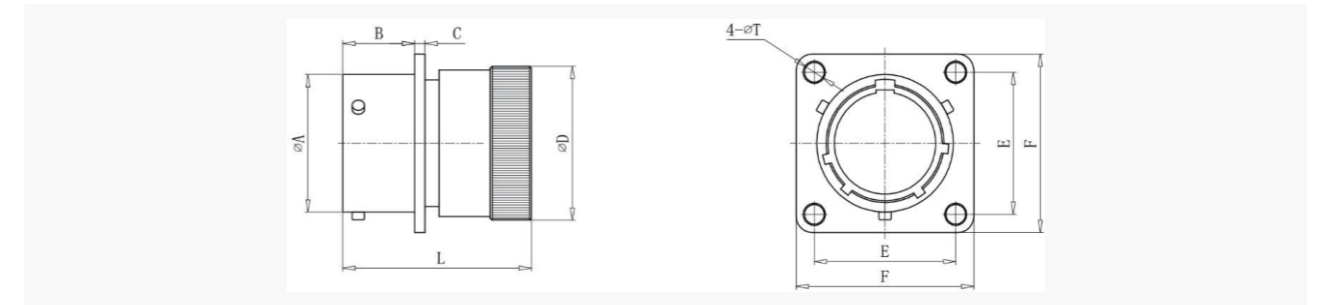
Shell No.	L max	D1	D2	d max
08	57.6	18.8	18.2	5.5
10	57.6	21.5	20.2	8.15
12	61.2	25.8	23.2	10.0
14	66.0	29.2	26.2	10.0
16	74.7	32.3	31.2	13.0
18	80.5	35.4	34.2	16.0
20	91.6	38.5	34.2	16.0
22	95.6	41.7	38.2	19.3
24	101.2	44.7	41.2	20.6

【 JYT3110R [Bulkhead square flange receptacle type R] 】



Shell No.	L	A	B	C	E	F max	T	Thread D UNEF -2A
08	21.7	12.04	11.7	1.7	15.09	20.99	3.2	0.4375 -28
10	21.7	15.00	11.7	1.7	18.26	24.19	3.2	0.5625 -24
12	21.7	19.07	11.7	1.7	20.62	26.54	3.2	0.6875 -24
14	21.7	22.25	11.7	1.7	23.0	28.89	3.2	0.8125 -20
16	21.7	25.43	11.7	1.7	24.61	31.29	3.2	0.9375 -20
18	21.7	28.60	11.7	1.7	26.97	33.69	3.2	1.0625 -18
20	23.6	31.78	14.3	2.2	29.36	36.89	3.2	1.1875 -18
22	23.6	34.95	14.3	2.2	31.75	39.99	3.2	1.3125 -18
24	23.6	38.13	15.0	2.2	34.92	43.15	3.8	1.4375 -18

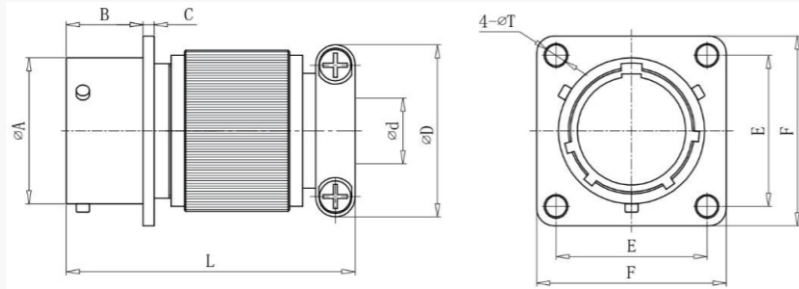
【 JYT3110E [Bulkhead square flange receptacle type E] 】



【 JYT3110E [Bulkhead square flange receptacle type E] 】

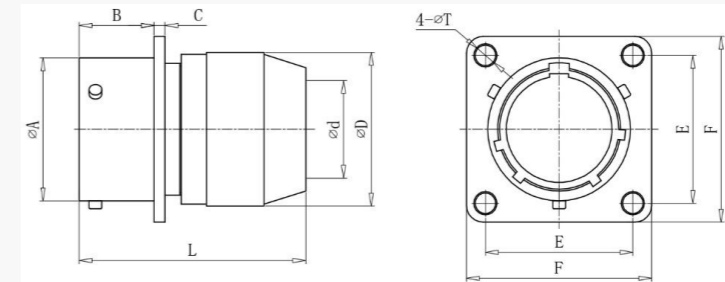
Shell No.	L	A	B	C	D	E	F max	T
08	30.7	12.04	11.7	1.7	15.5	15.09	20.99	3.2
10	30.7	15.00	11.7	1.7	18.7	18.26	24.19	3.2
12	30.7	19.07	11.7	1.7	21.7	20.62	26.54	3.2
14	30.7	22.25	11.7	1.7	24.9	23.0	28.89	3.2
16	30.7	25.43	11.7	1.7	28.2	24.61	31.29	3.2
18	30.7	28.60	11.7	1.7	31.2	26.97	33.69	3.2
20	32.6	31.78	14.3	2.2	34.6	29.36	36.89	3.2
22	32.6	34.95	14.3	2.2	37.6	31.75	39.99	3.2
24	32.6	38.13	15.0	2.2	40.9	34.92	43.15	3.8

【 JYT3110F [Bulkhead square flange receptacle type F] 】



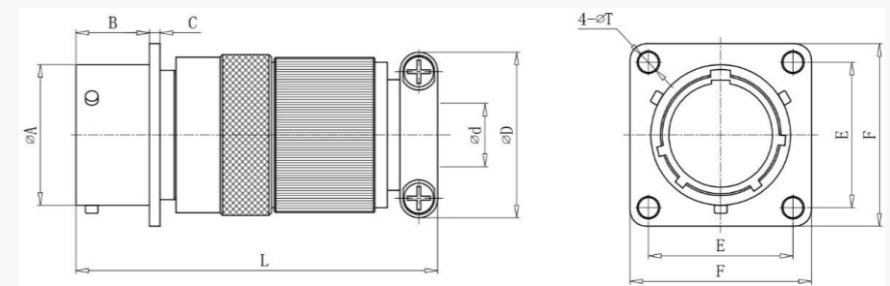
Shell No.	L	A	B	C	D	d max	E	F max	T
08	44.0	12.04	11.7	1.7	18.2	5.5	15.09	20.99	3.2
10	44.0	15.00	11.7	1.7	20.2	8.15	18.26	24.19	3.2
12	44.0	19.07	11.7	1.7	23.2	10.0	20.62	26.54	3.2
14	44.0	22.25	11.7	1.7	26.2	10.0	23.0	28.89	3.2
16	44.0	25.43	11.7	1.7	31.2	13.0	24.61	31.29	3.2
18	44.0	28.60	11.7	1.7	34.2	16.0	26.97	33.69	3.2
20	45.9	31.78	14.3	2.2	34.2	16.0	29.36	36.89	3.2
22	45.9	34.95	14.3	2.2	38.2	19.3	31.75	39.99	3.2
24	45.9	38.13	15.0	2.2	41.2	20.6	34.92	43.15	3.8

【 JYT3110P [Bulkhead square flange receptacle type P] 】



Shell No.	L max	A	B	C	D	d max	E	F max	T
08	36.2	12.04	11.7	1.7	15.3	10.46	15.09	20.99	3.2
10	36.2	15.00	11.7	1.7	17.7	13.55	18.26	24.19	3.2
12	36.2	19.07	11.7	1.7	21.7	13.96	20.62	26.54	3.2
14	36.2	22.25	11.7	1.7	23.9	17.42	23.0	28.89	3.2
16	36.2	25.43	11.7	1.7	27.0	20.56	24.61	31.29	3.2
18	37.7	28.60	11.7	1.7	30.5	23.66	26.97	33.69	3.2
20	42.7	31.78	14.3	2.2	33.6	23.92	29.36	36.89	3.2
22	42.7	34.95	14.3	2.2	37.1	25.52	31.75	39.99	3.2
24	43.1	38.13	15.0	2.2	40.0	32.00	34.92	43.15	3.8

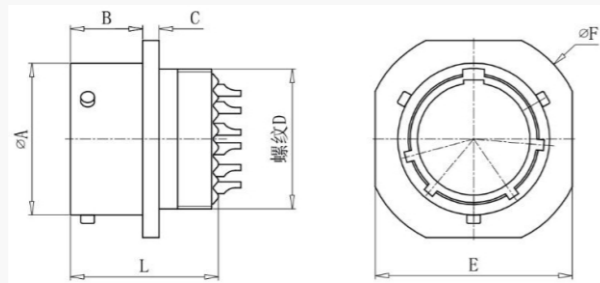
【 JYT3110J [Bulkhead square flange receptacle type J] 】



【 JYT3110J [Bulkhead square flange receptacle type J] 】

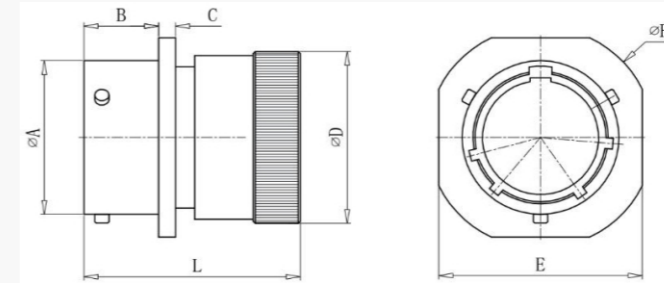
Shell No.	L max	A	B	C	D	d max	E	F max	T
08	57.6	12.04	11.7	1.7	18.2	5.5	15.09	20.99	3.2
10	57.6	15.00	11.7	1.7	20.2	8.15	18.26	24.19	3.2
12	61.2	19.07	11.7	1.7	23.2	10.0	20.62	26.54	3.2
14	66.0	22.25	11.7	1.7	26.2	10.0	23.0	28.89	3.2
16	74.7	25.43	11.7	1.7	31.2	13.0	24.61	31.29	3.2
18	80.5	28.60	11.7	1.7	34.2	16.0	26.97	33.69	3.2
20	91.6	31.78	14.3	2.2	34.2	16.0	29.36	36.89	3.2
22	95.6	34.95	14.3	2.2	38.2	19.3	31.75	39.99	3.2
24	101.2	38.13	15.0	2.2	41.2	20.6	34.92	43.15	3.8

【 JYT3111R [Cable connecting receptacle type R] 】



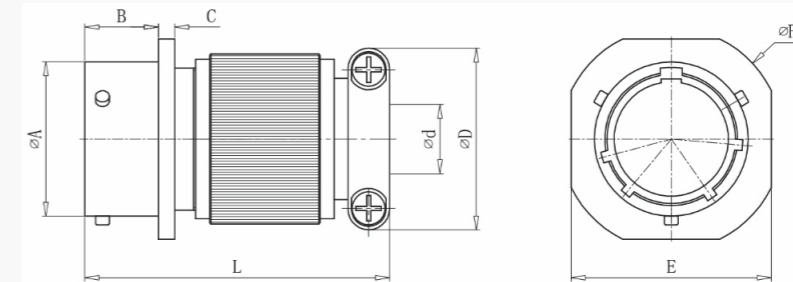
Shell No.	L	A	B	C	E	F max	Thread D UNEF -2A
08	21.7	12.04	10.6	2.4	20.99	24.24	0.4375 -28
10	21.7	15.00	10.6	2.4	24.19	27.44	0.5625 -24
12	21.7	19.07	10.6	2.4	26.54	29.79	0.6875 -24
14	21.7	22.25	10.6	2.4	28.89	32.10	0.8125 -20
16	21.7	25.43	10.6	2.4	31.29	34.59	0.9375 -20
18	21.7	28.60	10.6	2.4	33.69	36.94	1.0625 -18
20	23.6	31.78	13.7	2.8	36.89	40.14	1.1875 -18
22	23.6	34.95	13.7	2.8	40.00	43.24	1.3125 -18
24	23.6	38.13	14.4	2.8	43.29	46.44	1.4375 -18

【 JYT3111E [Cable connecting receptacle type E] 】



Shell No.	L	A	B	C	D	E	F max
08	30.7	12.04	10.6	2.4	15.5	20.99	24.24
10	30.7	15.00	10.6	2.4	18.7	24.19	27.44
12	30.7	19.07	10.6	2.4	21.7	26.54	29.79
14	30.7	22.25	10.6	2.4	24.9	28.89	32.10
16	30.7	25.43	10.6	2.4	28.2	31.29	34.59
18	30.7	28.60	10.6	2.4	31.2	33.69	36.94
20	32.6	31.78	13.7	2.8	34.6	36.89	40.14
22	32.6	34.95	13.7	2.8	37.6	40.00	43.24
24	32.6	38.13	14.4	2.8	40.9	43.29	46.44

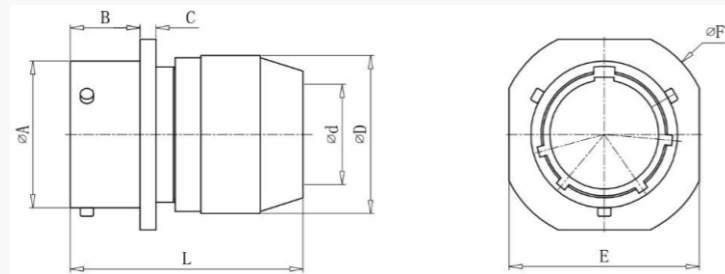
【 JYT3111F [Cable connecting receptacle type F] 】



【 JYT3111F [Cable connecting receptacle type F] 】

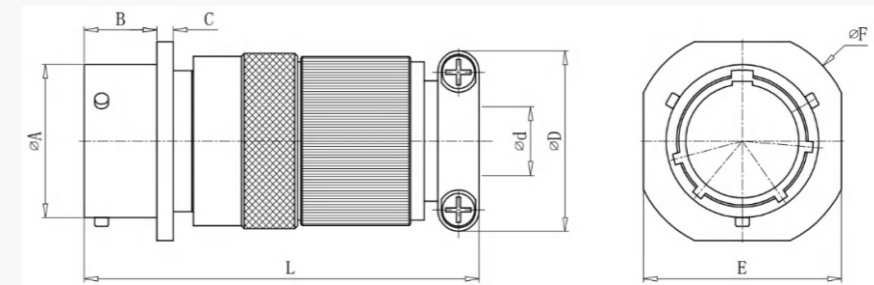
Shell No.	L	A	B	C	D	d max	E	F max
08	44.0	12.04	10.6	2.4	18.2	5.5	20.99	24.24
10	44.0	15.00	10.6	2.4	20.2	8.15	24.19	27.44
12	44.0	19.07	10.6	2.4	23.2	10.0	26.54	29.79
14	44.0	22.25	10.6	2.4	26.2	10.0	28.89	32.10
16	44.0	25.43	10.6	2.4	31.2	13.0	31.29	34.59
18	44.0	28.60	10.6	2.4	34.2	16.0	33.69	36.94
20	45.9	31.78	13.7	2.8	34.2	16.0	36.89	40.14
22	45.9	34.95	13.7	2.8	38.2	19.3	40.00	43.24
24	45.9	38.13	14.4	2.8	41.2	20.6	43.29	46.44

【 JYT3111P [Cable connecting receptacle type P] 】



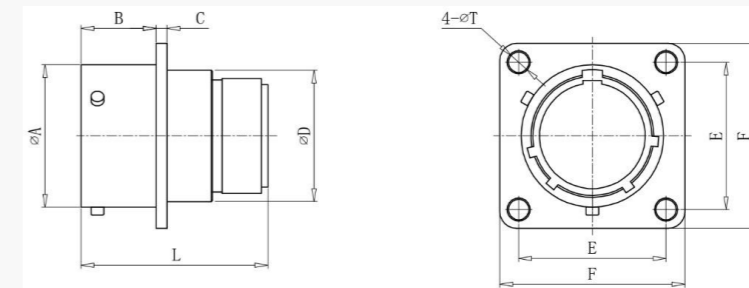
Shell No.	L max	A	B	C	D	d max	E	F max
08	36.2	12.04	10.6	2.4	15.3	10.46	20.99	24.24
10	36.2	15.00	10.6	2.4	17.7	13.55	24.19	27.44
12	36.2	19.07	10.6	2.4	21.7	13.96	26.54	29.79
14	36.2	22.25	10.6	2.4	23.9	17.42	28.89	32.10
16	36.2	25.43	10.6	2.4	27.0	20.56	31.29	34.59
18	37.7	28.60	10.6	2.4	30.5	23.66	33.69	36.94
20	42.7	31.78	13.7	2.8	33.6	23.92	36.89	40.14
22	42.7	34.95	13.7	2.8	37.1	25.52	40.00	43.24
24	43.1	38.13	14.4	2.8	40.0	32.00	43.29	46.44

【 JYT3111J [Cable connecting receptacle type J] 】



Shell No.	L max	A	B	C	D	d max	E	F max
08	57.6	12.04	10.6	2.4	18.2	5.5	20.99	24.24
10	57.6	15.00	10.6	2.4	20.2	8.15	24.19	27.44
12	61.2	19.07	10.6	2.4	23.2	10.0	26.54	29.79
14	66.0	22.25	10.6	2.4	26.2	10.0	28.89	32.10
16	74.7	25.43	10.6	2.4	31.2	13.0	31.29	34.59
18	80.5	28.60	10.6	2.4	34.2	16.0	33.69	36.94
20	91.6	31.78	13.7	2.8	34.2	16.0	36.89	40.14
22	95.6	34.95	13.7	2.8	38.2	19.3	40.00	43.24
24	101.2	38.13	14.4	2.8	41.2	20.6	43.29	46.44

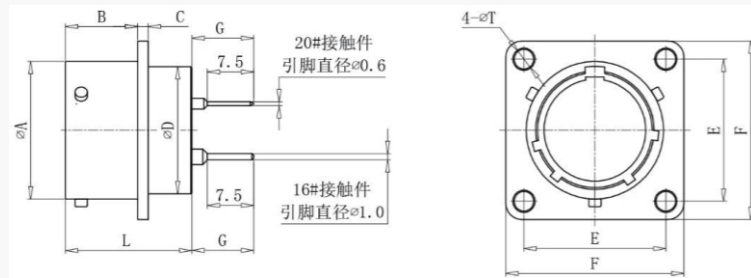
【 JYT3112E [Box square flange receptacle type E] 】



【 JYT3112E [Box square flange receptacle type E] 】

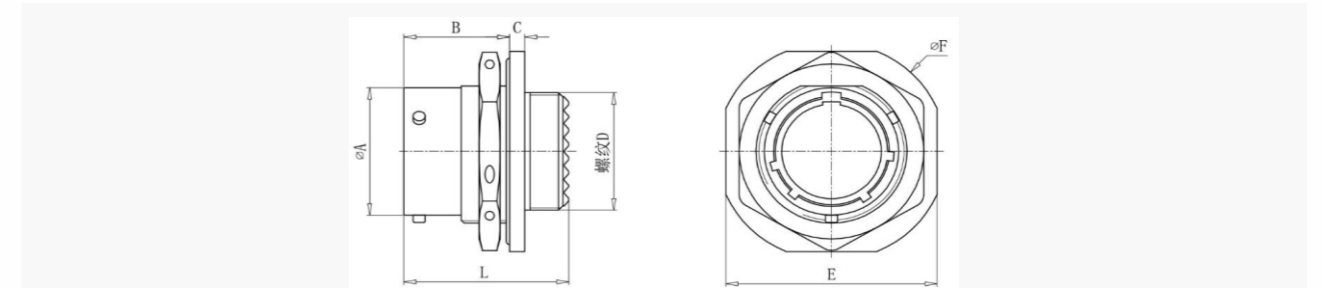
Shell No.	L	A	B	C	d max	E	F max	T
08	29.2	12.04	10.6	2.4	5.5	20.99	24.24	3.2
10	29.2	15.00	10.6	2.4	8.15	24.19	27.44	3.2
12	29.2	19.07	10.6	2.4	10.0	26.54	29.79	3.2
14	29.2	22.25	10.6	2.4	10.0	28.89	32.10	3.2
16	29.2	25.43	10.6	2.4	13.0	31.29	34.59	3.2
18	29.2	28.60	10.6	2.4	16.0	33.69	36.94	3.2
20	30.8	31.78	13.7	2.8	16.0	36.89	40.14	3.2
22	30.8	34.95	13.7	2.8	19.3	40.00	43.24	3.2
24	30.8	38.13	14.4	2.8	20.6	43.29	46.44	3.8

【 JYT3112B [Box square flange receptacle type B] 】



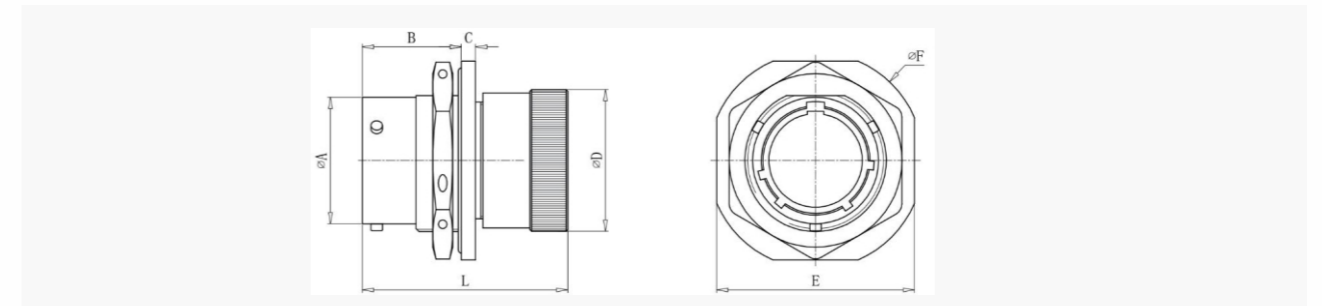
Shell No.	L	A	B	C	d max	G max	E	F max	T
08	20.5	12.04	11.7	1.7	10.84	10.5	15.09	20.99	3.2
10	20.5	15.00	11.7	1.7	13.99	10.5	18.26	24.19	3.2
12	20.5	19.07	11.7	1.7	17.37	10.5	20.62	26.54	3.2
14	20.5	22.25	11.7	1.7	20.57	10.5	23.0	28.89	3.2
16	20.5	25.43	11.7	1.7	23.72	10.5	24.61	31.29	3.2
18	20.5	28.60	11.7	1.7	26.69	10.5	26.97	33.69	3.2
20	23.3	31.78	14.3	2.2	29.89	8.6	29.36	36.89	3.2
22	23.3	34.95	14.3	2.2	33.04	8.6	31.75	39.99	3.2
24	23.3	38.13	15.0	2.2	26.24	8.6	34.92	43.15	3.8

【 JYT3114R [Jam nut receptacle type R] 】



Shell No.	L	A	B	C	E	F max	Thread D UNEF -2A
08	27.3	12.04	17.5	2.5	23.94	26.94	0.4375 -28
10	27.3	15.00	17.5	2.5	26.94	30.14	0.5625 -24
12	27.3	19.07	17.5	2.5	31.74	34.94	0.6875 -24
14	27.3	22.25	17.5	2.5	34.94	38.04	0.8125 -20
16	27.3	25.43	17.5	2.5	38.24	41.24	0.9375 -20
18	27.3	28.60	17.5	2.5	41.34	44.44	1.0625 -18
20	32.8	31.78	22.4	3.8	46.04	49.14	1.1875 -18
22	32.8	34.95	22.4	3.8	49.24	52.24	1.3125 -18
24	32.8	38.13	23.0	3.8	54.74	55.54	1.4375 -18

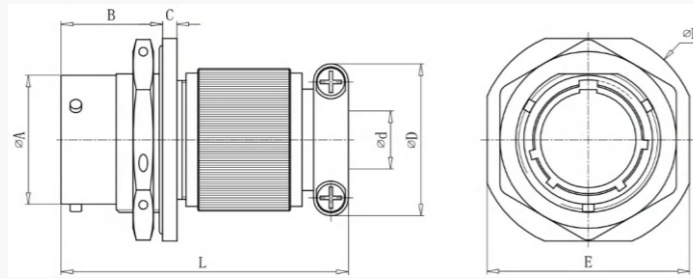
【 JYT3114E [Jam nut type E] 】



【 JYT3114E [Jam nut type E] 】

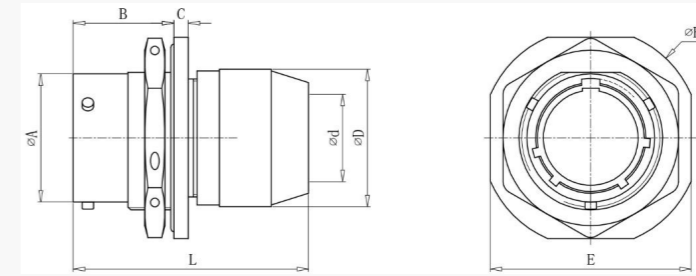
Shell No.	L	A	B	C	D	E	F max
08	36.3	12.04	17.5	2.5	15.5	23.94	26.94
10	36.3	15.00	17.5	2.5	18.7	26.94	30.14
12	36.3	19.07	17.5	2.5	21.7	31.74	34.94
14	36.3	22.25	17.5	2.5	24.9	34.94	38.04
16	36.3	25.43	17.5	2.5	28.2	38.24	41.24
18	36.3	28.60	17.5	2.5	31.2	41.34	44.44
20	41.8	31.78	22.4	3.8	34.6	46.04	49.14
22	41.8	34.95	22.4	3.8	37.6	49.24	52.24
24	41.8	38.13	23.0	3.8	40.9	54.74	55.54

【 JYT3114F [Jam nut type F] 】



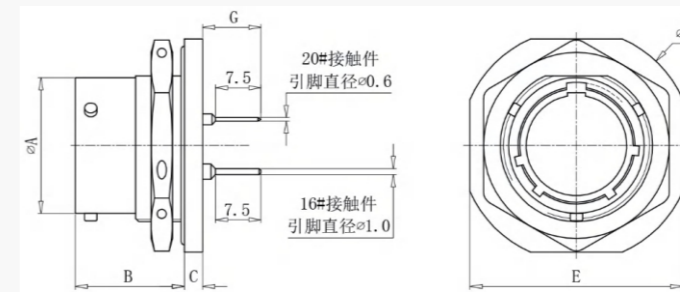
Shell No.	L	A	B	C	D	d max	E	F max
08	49.6	12.04	17.5	2.5	18.2	5.5	23.94	26.94
10	49.6	15.00	17.5	2.5	20.2	8.15	26.94	30.14
12	49.6	19.07	17.5	2.5	23.2	10.0	31.74	34.94
14	49.6	22.25	17.5	2.5	26.2	10.0	34.94	38.04
16	49.6	25.43	17.5	2.5	31.2	13.0	38.24	41.24
18	49.6	28.60	17.5	2.5	34.2	16.0	41.34	44.44
20	55.1	31.78	22.4	3.8	34.2	16.0	46.04	49.14
22	55.1	34.95	22.4	3.8	38.2	19.3	49.24	52.24
24	55.1	38.13	23.0	3.8	41.2	20.6	54.74	55.54

【 JYT3114P [Jam nut type P] 】



Shell No.	L max	A	B	C	D	d max	E	F max
08	41.8	12.04	17.5	2.5	15.3	10.46	23.94	26.94
10	41.8	15.00	17.5	2.5	17.7	13.55	26.94	30.14
12	41.8	19.07	17.5	2.5	21.7	13.96	31.74	34.94
14	41.8	22.25	17.5	2.5	23.9	17.42	34.94	38.04
16	41.8	25.43	17.5	2.5	27.0	20.56	38.24	41.24
18	41.8	28.60	17.5	2.5	30.5	23.66	41.34	44.44
20	51.9	31.78	22.4	3.8	33.6	23.92	46.04	49.14
22	51.9	34.95	22.4	3.8	37.1	25.52	49.24	52.24
24	52.3	38.13	23.0	3.8	40.0	32.00	54.74	55.54

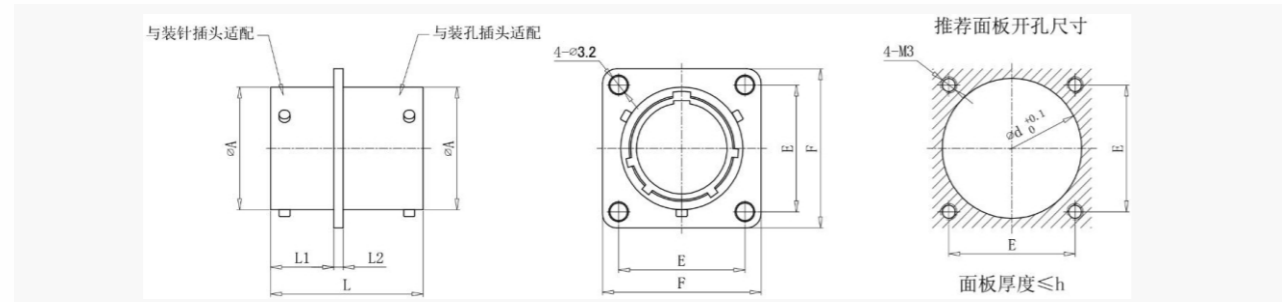
【 JYT3114B [Jam nut type B] 】



【 JYT3114B [Jam nut type B] 】

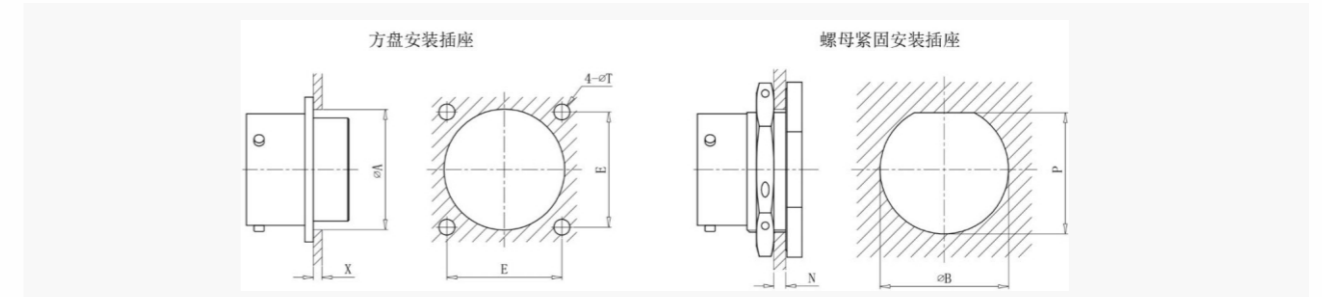
Shell No.	A	B	C	G	E	F max
08	12.04	17.9	3.0	9.6	23.94	26.94
10	15.00	17.9	3.0	9.6	26.94	30.14
12	19.07	17.9	3.0	9.6	31.74	34.94
14	22.25	17.9	3.0	9.6	34.94	38.04
16	25.43	17.9	3.0	9.6	38.24	41.24
18	28.60	17.9	3.0	9.6	41.34	44.44
20	31.78	20.4	3.3	8.4	46.04	49.14
22	34.95	20.4	3.3	8.4	49.24	52.24
24	38.13	20.9	3.3	7.9	54.74	55.54

【 JYT3112R 】



Shell No.	A	E	F max	L	L1	L2	d	h
08	12.04	15.09	20.99	27.8	11.5	1.7	14.9	4.0
10	15.00	18.26	24.19	27.8	11.5	1.7	17.7	4.0
12	19.07	20.62	26.54	27.8	11.5	1.7	22.2	4.0
14	22.25	23.00	28.89	27.8	11.5	1.7	25.4	4.0
16	25.43	24.61	31.29	27.8	11.5	1.7	28.5	4.0
18	28.60	26.97	33.69	27.8	11.5	1.7	31.8	4.0
20	31.78	29.36	36.89	31.0	14.1	2.5	34.8	4.7
22	34.95	31.75	39.99	31.0	14.1	2.5	38.1	4.7
24	38.13	34.92	43.15	31.0	14.1	2.5	41.2	2.8

【 Recommended panel cutout 】



Shell No.	A	E	T	X max	B	P	N
08	15.55	15.09	3.2	2.9	14.60	13.75	1.8~5.7
10	18.80	18.26	3.2	2.9	17.75	16.95	1.8~5.7
12	22.15	20.62	3.2	2.9	22.50	21.50	1.8~5.7
14	25.30	23.00	3.2	2.9	25.70	24.20	1.8~5.7
16	28.45	24.61	3.2	2.9	28.85	27.35	1.8~5.7
18	31.65	26.97	3.2	2.9	32.05	30.55	1.8~5.7
20	34.80	29.36	3.2	5.5	35.20	33.70	1.8~8.6
22	38.00	31.75	3.2	5.5	38.40	36.90	1.8~9.6
24	41.20	34.92	3.8	5.5	41.55	40.05	1.8~9.5

GJB598 II SERIES ELECTRIACAL CONNECTORS

For GJB598 II Series
(MIL-C-26482 II Series)



PRODUCT INTRODUCTION

- Conform to GJB598 (MIL-C-26482) II series
- Quick bayonet coupling
- Removable crimp contact with gold plating
- High contact density
- FRI(radio frequency interference) shielding plug
- Mating surface sealing
- Applications: Widely used in military and industry fields



Application: The product is used to connect current and signal.

Operating environment: The product can be applied in military and industry field. It has excellent environmental characteristics: Anti-moisture, salt spray, mould, rain, dust, etc.

【Main technical performance】

Mechanical performance

Shell material: Aluminum alloy

Plating: Type W: Olive drab cadmium plating, conductive shell Type L: Electroless nickel plating, conductive shell
 Type A: Black anodized plating, non-conductive shell Type B: Olive green cadmium plating, conductive shell
 Type S: Stainless steel passive, conductive she Type BW: Olive breen cadmium plating, conductive shell

Insulator material: Thermoset plastic

Grommet and seal material: Silicone rubber

Contacts material: Gold plating copper alloy, crimping, removable

Durability: 500 cycles(JYT3475 shielding plug is 250 cycles)

Shock: At 3 ms half sinusoid, peak value of acceleration: 300g

Random vibration: Frequency 10 ~ 2000Hz, Power spectral density 1.0G2/Hz

Electrical performance:

Operating voltage and withstanding voltage: V

Service rating*	Working voltage		Withstanding voltage	
	I	II	I	II
Sea level	600	1000	1500	2300
21336m	300	450	375	500

Note: Different Contact layouts have different Service ratings, see the mark on the upper right corner of the contact layout for derears.

Contact resistance and rated current:

Contact sizes	Operating diameter (mm)	Contact resistance (mΩ)	Rated current A
20#	Φ1.00	≦5	7.5
16#	Φ1.60	≦2.5	13
12#	Φ2.40	≦1.5	23

Insulation resistance: ≧5000MΩ at 25°C, ≧3MΩ at 125°C

【Main technical performance】

Environmental performance

Operating temperature: Type W: -55 °C ~ +175 °C (W class), Type L, A, S: -55 °C ~ +200 °C

Relative humidity: 94 ± 4% at 65 °C

Salt spray: Type W: 500h; Type L: 96h; Type A: 48h; Type S: 1000h

Anti-RFI: Frequency 100~1000MHz, Leakage attenuation 65~45dB (JYT3475 plug)

Fluid immersion: 12 kinds of fluids: aviation gasoline, coolant, lubricating oil etc. (Type L)

【Ordering information】

【Normal non-sealing plug/receptacle】

Connector basic series

Connector type:

3470 - Narrow flange receptacle

3474 - Jam nut receptacle

3475 - RFI shielding plug

3476 - Plug

Shell plating:

W (Olive drab cadmium plating) L - Electroless nickel plating

A - Black anodized plating S - Stainless steel passive

B-Olive green cadmium plating BW - Olive green cadmium plating

Shell No.: 08 -10-12-14-16-18-20-22-24

Contact layout: See "Contact layout" table

Contact type: P-Pin S-Socket

Polarization: N - Normal W, X, Y, Z - Alternative

JYT 3474 L 18- 35 P N

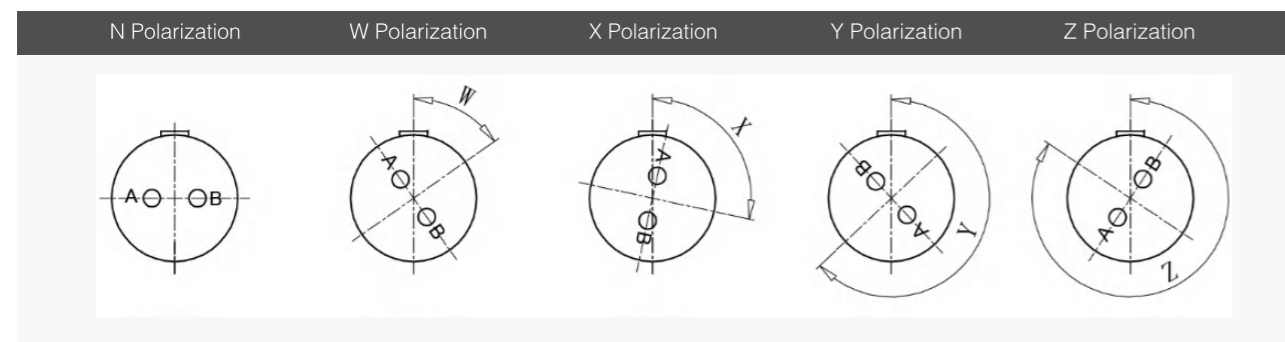
Note :

- GJB598 series, MIL-C-26482 series, and YB series are made according to the same standard. The difference is in the basic part number: GJB598 series is JYT, while MIL-C-26482 series is MS, and YB series is YB. The 3 series are interchangeable with each other.
- The JYT3475 Anti-RFI plug cannot use black anodized plating coating.

Example of type marking

JYT3474L18-35PN: JYT series jam nut receptacle, electroless nickel plating, #18 shell, #35 layout, filled with pin, N polarization. Anti-moisture, salt spray, mould, rain, dust, etc.

【Polarization (insert rotates inside shell)】


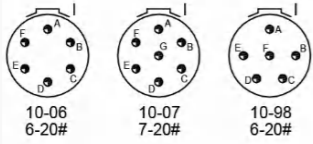
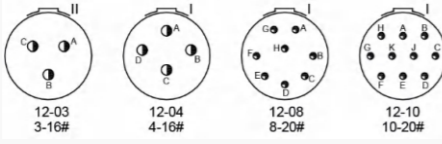
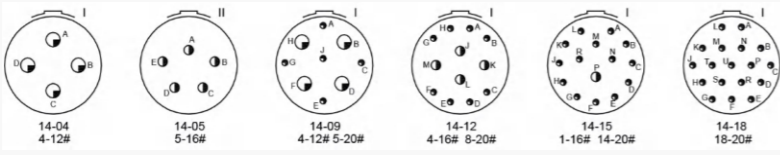
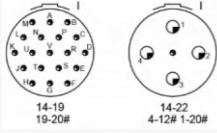
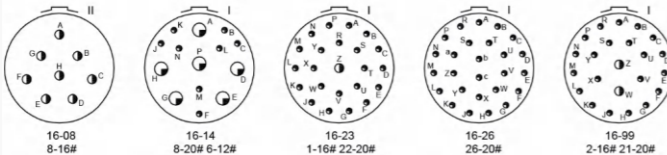
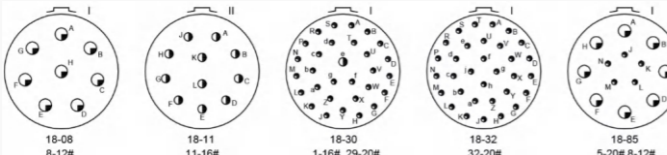
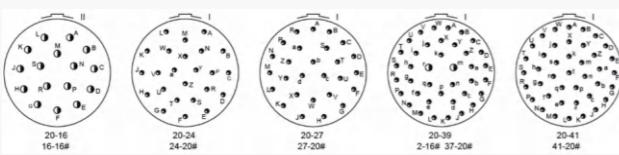


Polarization: Viewed from the front of the pin, the rotation Polarization is shown in the figure above.

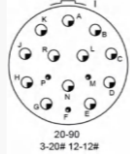
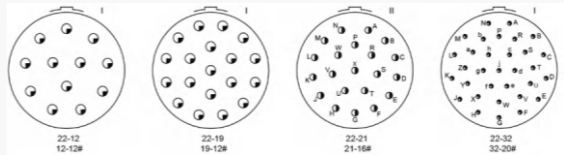
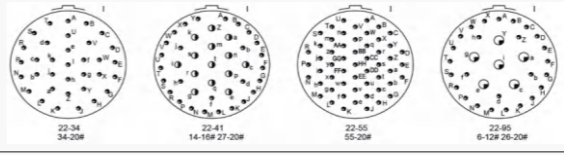
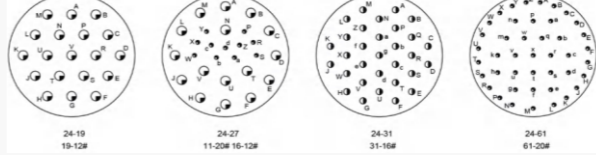
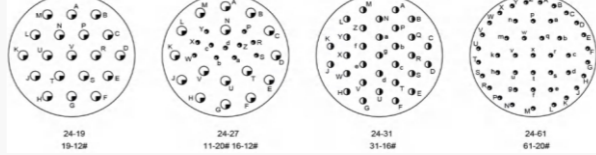
Shell No.	Layout	Polarization				
		N	W	X	Y	Z
08	08-2	0	58	122	-	-
	08-3	0	60	210	-	-
	08-4	0	45	-	-	-
	08-33	0	90	-	-	-
	08-98	0	-	-	-	-
10	10-6	0	90	-	-	-
	10-7	0	-	-	-	-
	10-98	0	90	180	240	270
12	12-3	0	-	-	180	-
	12-4	0	45	-	-	-
	12-8	0	90	112	203	292
	12-10	0	60	155	270	295
14	14-4	0	45	-	-	-
	14-5	0	40	92	184	273
	14-9	0	15	90	180	240
	14-12	0	43	90	-	-
	14-15	0	17	110	155	234
	14-18	0	15	90	180	270
	14-19	0	30	165	315	-
	14-22	0	45	-	-	-
16	16-8	0	54	152	180	331
	16-14	0	25	78	180	240
	16-23	0	158	270	-	-
	16-26	0	60	-	275	338
	16-99	0	66	156	223	340

Shell No.	Layout	Polarization				
		N	W	X	Y	Z
18	18-8	0	180	-	-	-
	18-11	0	62	119	241	340
	18-30	0	180	193	285	350
	18-32	0	85	138	222	265
	18-85	0	45	90	180	240
20	20-16	0	238	318	333	347
	20-24	0	70	145	215	290
	20-27	0	72	144	216	288
22	22-39	0	63	144	252	333
	22-41	0	45	126	225	-
	22-90	0	18	60	240	270
	22-12	0	-	-	-	-
	22-19	0	15	90	225	308
24	22-21	0	16	135	175	349
	22-32	0	72	145	215	288
	22-34	0	62	142	218	298
	22-41	0	39	135	264	-
	22-55	0	30	142	226	314
	22-95	0	26	180	266	-
	24-19	0	30	165	315	-
24-27	0	45	110	140	225	
24-31	0	90	225	255	-	
24-61	0	90	180	270	324	

【Contact layout (viewed from front face of male insert)】

08	
10	
12	
14	
	
16	
18	
20	

【Contact layout (viewed from front face of male insert)】

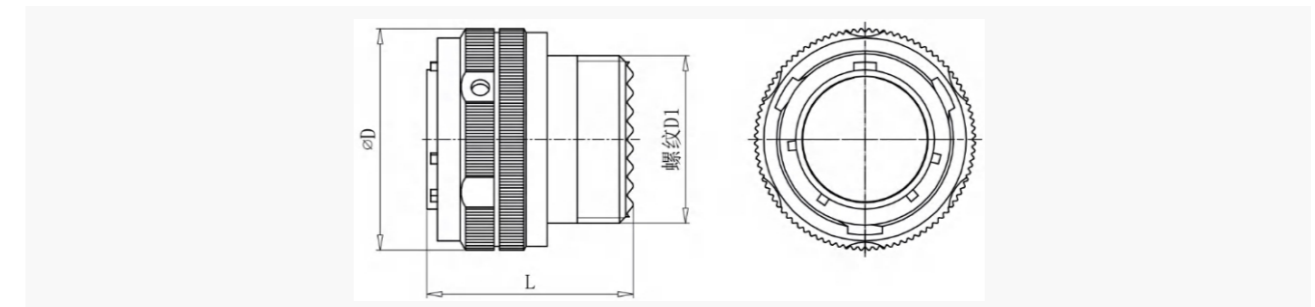
20	
22	
	
24	
	

Contact sizes Z   

This series of products adopts insulator polarization in accordance with GJB598 design. The insulator polarization in the standard has design flaws, and the evenly distributed contact around the circumference of the polarization cannot effectively prevent mis-insertion. For example: 08-2, 08-4, 08-33, 10 -6, 10 -98, 12-4, 14-4, 16-23, 16 -26, 18-11, 18 -32, 20-41 contact, please pay attention when selecting the model.

【Outline dimensions】

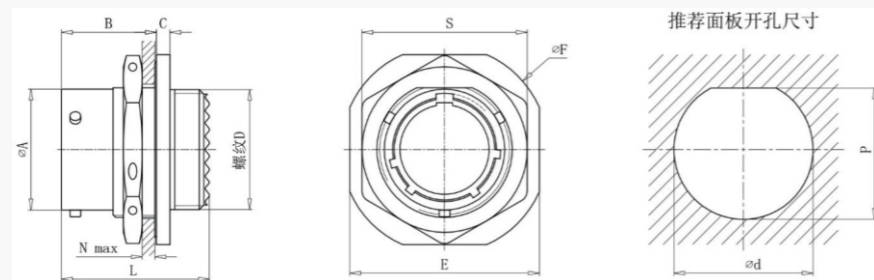
【 JYT3475 /JYT3476 Plug 】



【 JYT3475 / JYT3476 Plug 】

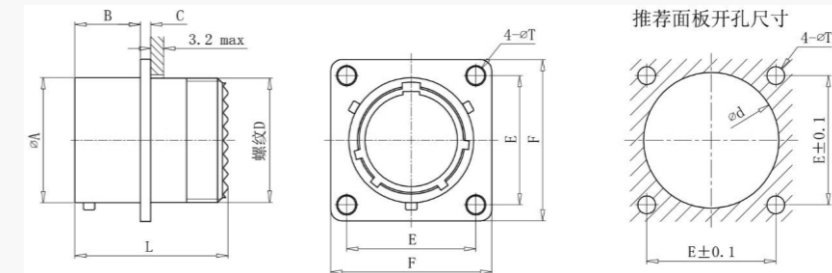
Shell No.	L	D	Thread D1 UNEF -2A
08	27.3	18.8	0.5000 -20
10	27.3	21.5	0.6250 -24
12	27.3	25.8	0.7500 -20
14	27.3	29.2	0.8750 -20
16	27.3	32.3	1.0000 -20
18	27.3	35.4	1.0625 -18
20	29.0	38.5	1.1875 -18
22	29.0	41.7	1.3125 -18
24	29.0	44.7	1.4375 -18

【 JYT3474 Jam nut receptacle 】



Shell No.	L	A	B	C	E	F	S	N	d	P	Thread D UNEF -2A
08	27.3	12.04	17.5	2.5	24.0	27.2	19.2	4.8	14.6	13.7	0.5000 -20
10	27.3	15.00	17.5	2.5	27.0	30.4	22.5	4.8	17.8	16.9	0.6250 -24
12	27.3	19.07	17.5	2.5	32.0	35.2	27.9	4.8	22.8	21.0	0.7500 -20
14	27.3	22.25	17.5	2.5	35.0	38.3	30.5	4.8	25.7	24.1	0.8750 -20
16	27.3	25.43	17.5	2.5	38.2	41.5	33.6	4.8	28.8	27.3	1.0000 -20
18	27.3	28.60	17.5	2.5	41.34	44.44	36.8	4.8	32.1	30.5	1.0625 -18
20	29.0	31.78	19.0	3.3	46.04	49.14	40.0	6.4	35.2	33.7	1.1875 -18
22	29.0	34.95	19.0	3.3	49.24	52.24	43.2	6.4	38.4	36.8	1.3125 -18
24	29.0	38.13	19.0	3.3	52.74	55.54	46.3	5.6	41.6	40.1	1.4375 -18

【 JYT3470 Narrow flange mounting receptacle 】



Shell No.	L	A	B	C	E	F	T	d	Thread D UNEF -2A
08	27.3	12.04	11.7	1.8	15.1	21.0	3.2	14.4	0.5000 -20
10	27.3	15.00	11.7	1.8	18.3	24.2	3.2	17.3	0.6250 -24
12	27.3	19.07	11.7	1.8	20.6	26.5	3.2	21.9	0.7500 -20
14	27.3	22.25	11.7	1.8	23.0	28.7	3.2	25.1	0.8750 -20
16	27.3	25.43	11.7	1.8	24.6	31.2	3.2	28.2	1.0000 -20
18	27.3	28.60	11.7	1.8	27.0	33.7	3.2	31.4	1.0625 -18
20	29.0	31.78	14.3	2.7	29.4	36.9	3.2	34.6	1.1875 -18
22	29.0	34.95	14.3	2.7	31.8	40.0	3.2	37.7	1.3125 -18
24	29.0	38.13	15.2	2.7	34.9	43.3	3.8	41.0	1.4375 -18

【 GJB598 II Series crimping contact 】

Contact sizes	Dia.(mm)	Pin color code	Socket color code	Inner dia. of crimp barrel(mm)	Outer dia. of crimp barrel(mm)	Section of wire(mm)	Acceptable Cable size (AWG)	Acceptable cables outside dia.(mm)	Removal tool code	Crimp-ing tool
20#	Φ1.00	brown-brown-black	brown-brown-green	1.2	1.98	0.2 0.3 0.5	24 22 20	1.02-2.11	M81969/14-11	YJQ-02 XDWQ-01
16#	Φ1.60	brown-brown-brown	brown-brown-blue	1.7	2.6	0.5 0.8 1.0 1.2	20 18 16	1.35-2.62	M81969/14-03	XCXY-01/ DWQ-09
12#	Φ2.4	brown-brown-orange	brown-brown-gray	2.5	3.8	2.0 3.0	14 12	2.46-4.01	M81969/14-04	XCXY-01/ DWQ-09

Note: The 20# specification contact piece matched with the 08-04 contact needs to use the locator code: XDWQ-43Z.

GJB598 II SERIES BACKSHELLS ELECTRIACAL CONNECTORS

For GJB598 II Series
(MIL-C-26482 II Series)

08



·Comply with GJB1784 (equivalent to MIL-C-85049), mated with GJB598 II series only.

【Ordering information】

【 JT1784/88, JT1784/90 Backshells (shielding and non-clamping cable accessory) 】

JT1784 / 31 - 10 W

Basic series

Type: 31 -Type I Back nut

52 - Type II Straight cable clamp

51 - Type III Right angle cable clamp

Accessory shell No. : 08 -10-12 -14-16-18-20 -22-24

Shell plating: W – Olive drab cadmium plating N – Electroless nickel plating AA – Black anodized plating
W2 –Olive green cadmium plating S – Stainless steel passive BW – Olive breen cadmium plating

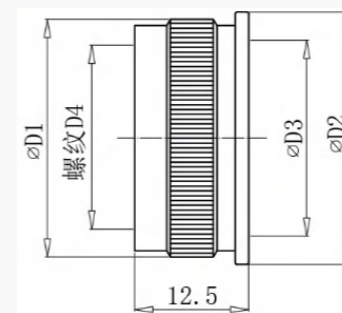
Note :

1. GJB 1784 series are made based on the same standard with MIL-C-85049. The difference is that: the basic part ber of MIL-C-85049 The code name is "M85049", and the two are interchangeable.
2. The supporting screws of the accessories are stainless steel cross-recessed pan head screws. If you need to use stainless steel bucy screws, you need to add (HB) after the model number.

【Outline dimensions】

【 JT1784/31-I Type back nut 】

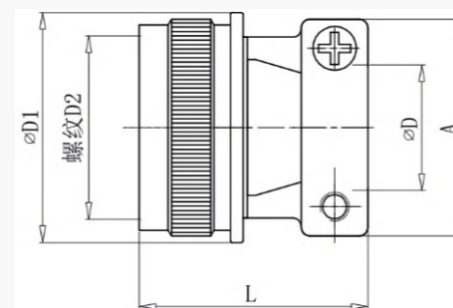
Shell No.	D1	D2	D3	Thread D4 UNEF
08	16.5	17.6	7.9	0.5000 -20
10	19.5	20.6	10.8	0.6250 -24
12	22.5	23.6	13.6	0.7500 -20
14	26.5	27.6	16.9	0.8750 -20
16	29.5	30.3	20.1	1.0000 -20
18	32.5	33.3	22.4	1.0625 -18
20	36.0	36.8	25.6	1.1875 -18
22	38.5	39.3	28.8	1.3125 -18
24	41.7	42.3	31.9	1.4375 -18



Anti-rotation accessories, tight hoop seal body, to ensure the environmental resistance of the connector, can not clamp the cable, used in the occasion of normal environmental conditions.

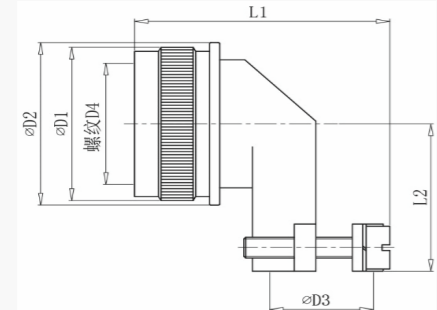
【 JT1784/52- 2 Type straight cable clamp 】

Shell No.	D1	Thread D2 UNEF	D	A	L
08	17.6	0.5000 -20	2.49~5.94	20	23.6
10	20.6	0.6250 -24	3.87~5.94	22	24.6
12	23.6	0.7500 -20	4.83~8.33	24.5	26.7
14	27.6	0.8750 -20	6.60~11.61	26	27.7
16	30.3	1.0000 -20	7.19~15.60	30.5	27.7
18	33.3	1.0625 -18	8.26~16.10	35	29
20	36.8	1.1875 -18	8.71~17.73	38	30.4
22	39.3	1.3125 -18	9.68~20.90	41	32.4
24	42.3	1.4375 -18	10.62~21.66	44	34.4



The anti-rotation and clamping cable accessories can tighten the cable body and clamp the cable to ensure the environmental resistance of the connector, and it is used in the occasion where the cable is under tension.

【JT1784/51-III Type right angle cable clamp】



Shell No.	D1	D2	D3	Thread D4 UNEF	L1max	L2max
08	16.5	17.6	3.2~6.4	0.5000 -20	29.0	25.0
10	19.5	20.6	4.0~9.5	0.6250 -24	32.0	26.0
12	22.5	23.6	4.8~11.1	0.7500 -20	33.5	27.5
14	26.5	27.6	5.5~14.3	0.8750 -20	36.5	31.0
16	29.5	30.3	6.4~15.9	1.0000 -20	38.5	32.5
18	32.5	33.3	7.9~19.1	1.0625 -18	41.5	34.0
20	36.0	36.8	9.5~22.2	1.1875 -18	44.5	34.5
22	38.5	39.3	10.3~23.8	1.3125 -18	46.0	36.5
24	41.7	42.3	14.3~25.4	1.4375 -18	48.0	43.5

Anti-rotation, cable 90° clamping cable accessories, which can be used to tighten the sealing body, 90° clamping cable function, to ensure the environmental resistance of the connector, used in the case where the cable is under tension.

【Plug and receptacle protective cap (For GJB598 I Series, II Series)】

【Ordering information】

Basic series **JYT 3180 -10 C N L**

Type: **JYT3180**—Plug protective cap (MS3180)
JYT3181—Receptacle protective cap (MS3181)

Shell No.: **08-10-12-14-16-18-20-22-24**

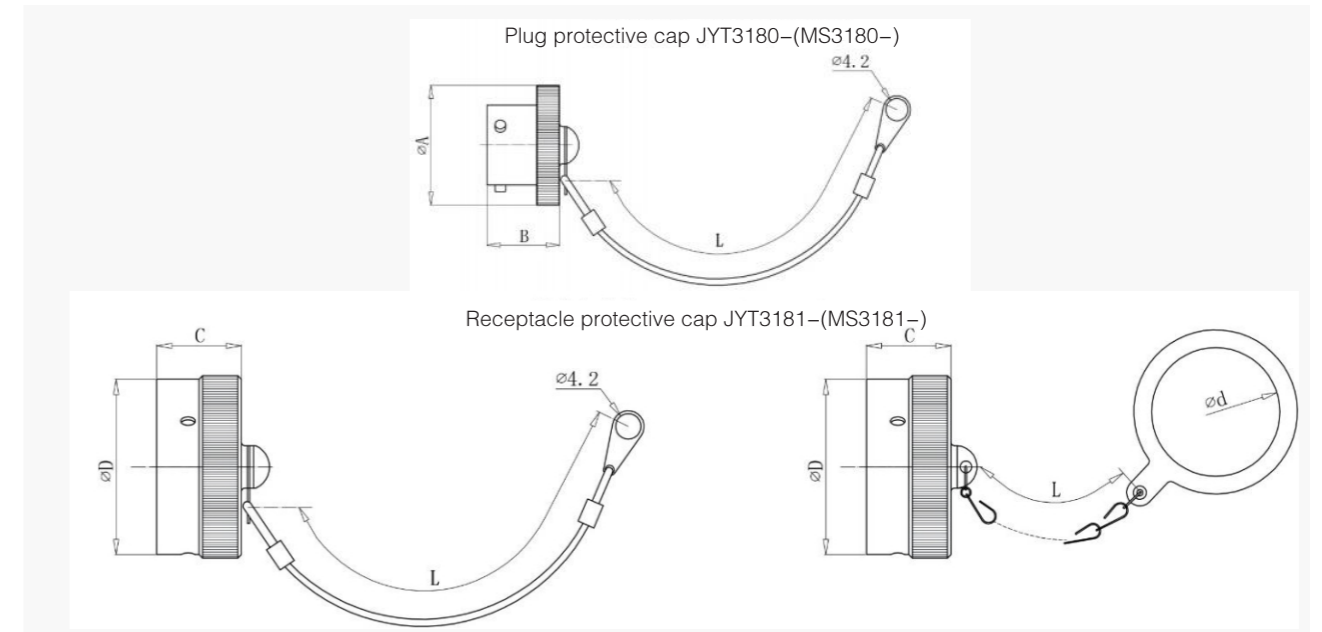
Fixing type: A – Nylon cord with ring (Suitable for JYT3474 or 3114 receptacle)
 C – Metal chain R – Nylon string
 N – Metal chain with ring (Suitable for JYT3474 or 3114 receptacle)

Shell plating: N – Electroless nickel plating W –Olive drab cadmium plating A – Black anodized plating
 S – Stainless steel passive W2 – Olive green cadmium plating BW – Olive breen cadmium plating

Length marking: No marking—No plating (JYT3181 only)
 No marking – Standard length L – Chain length is 127mm

Note :
The protective cap should be ordered separately, not supplied with the connector, and can be customized according to customer requirements

【Plug and receptacle protective cap (For GJB598 I Series, II Series)】



Shell No.	08	10	12	14	16	18	20	22	22
A max	18.86	21.65	25.92	29.2	32.3	35.4	38.55	41.7	44.7
B max	13.75	13.75	13.75	13.75	13.75	13.75	15.35	15.35	15.35
C max	14.0	14.0	14.0	14.0	14.0	14.0	14.0	14.0	15.1
D max	18.5	21.7	25.3	29.0	31.6	34.8	38.0	41.1	44.2
d min	14.7	17.9	22.7	25.9	29.0	32.2	35.4	38.6	41.7
L max	76.2	76.2	88.9	88.9	88.9	88.9	101.6	101.6	101.6