

Brief introduction

- Comply with MIL-DTL-32139A
- Male contact use elastic wire spring pin
- High density, 0.635 mm space
- Metal shell: 8 types from 9 cores to 65 cores
- Plug and receptacle: J70A series use the Metric system thread, J70 series use British system thread
- Termination methods: crimping, surface mounting, right-angle PCB, straight PCB, astride surface mounting
- Comply with Q/21E30007



Classification

—Can be divided into 2 series below:

- 1) J70A series: use the Metric system thread M1.6;
- 2) J70 series: use British system thread 0-80-UNF (can interchange with overseas products) .

—J70A and J70 series termination includes:

- 1) Crimping plug, receptacle:
The contact and the wire use crimping connection.
- 2) Horizontal surface mounting plug, receptacle:
The contact termination use horizontal surface mounting.
- 3) Vertical surface mounting plug, receptacle:
The contact termination use vertical surface mounting.
- 4) Right-angle PCB plug, receptacle:
The contact termination use right-angle PCB coupling.
- 5) Straight PCB plug, receptacle:
The contact termination use straight PCB coupling.
- 6) Astride surface mounting (flexible jumper) plug, receptacle:
The contact termination use flexible jumper mounting(dual-side mounting).

Main technical characteristics:

- Operating Temp: $-55^{\circ}\text{C} \sim +125^{\circ}\text{C}$
- Relative humidity: 95% at 40°C
- Vibration: frequency 10~2000Hz acceleration: 196m/s^2
- Shock: acceleration 980m/s^2
- Rating current: 1A
- Withstanding voltage: normal 250V damp heat 100V
- Insulator resistance: Normal $\geq 5000\text{M}\Omega$ 100VDC
- Contact resistance: $\leq 0.06\Omega$
- Endurance: 200 cycles

Ordering information

J70A - x x x - xxx - xx x - xx
 ① ② ③ ④ ⑤ ⑥ ⑦ ⑧

- ① Basic series: J70A – use the Metric system thread M1.6
 J70 – use British system thread 0-80-UNF
- ② Contact rows: 2 – two rows contacts
- ③ Classification: 1 – crimping/astride surface mounting plug
 2 – crimping/astride surface mounting receptacle
 A – vertical mounting plug B – vertical mounting receptacle
 C – horizontal mounting plug D – horizontal mounting receptacle
 E – right-angle PCB plug F – right-angle PCB receptacle
 G – straight PCB plug H – straight PCB receptacle
 K – vertical mounting plug (with mounting ear)
 L – vertical mounting receptacle (with mounting ear)
- ④ Shell Plating: 2 – chemical nickel plating
- ⑤ Contact No. : 9, 15, 21, 25, 31, 37, 51, 65, example: 9 cores marked with 009
- ⑥ Contact Termination: 12 – horizontal/vertical mounting pin
 22 – horizontal/vertical mounting socket
 13 – straight PCB pin, leading pin 2.77 23 – straight PCB socket, leading socket 2.77
 14 – straight PCB pin, leading pin 3.56 24 – straight PCB socket, leading socket 3.56
 15 – straight PCB pin, leading pin 4.37 25 – straight PCB socket, leading socket 4.37
 16 – crimping pin 26 – crimping socket
 32 – right-angle PCB pin, leading pin 2.77 43 – right-angle PCB socket, leading socket 2.77
 33 – right-angle PCB pin, leading pin 3.56 44 – right-angle PCB socket, leading socket 3.56
 34 – right-angle PCB pin, leading pin 4.37 45 – right-angle PCB socket, leading socket 4.37
- ⑦ Contact plating: 1 – gold plating
- ⑧ Locking piece type: JC – lock bolt TH – coupling nut 00 – without locking piece

Part number example:

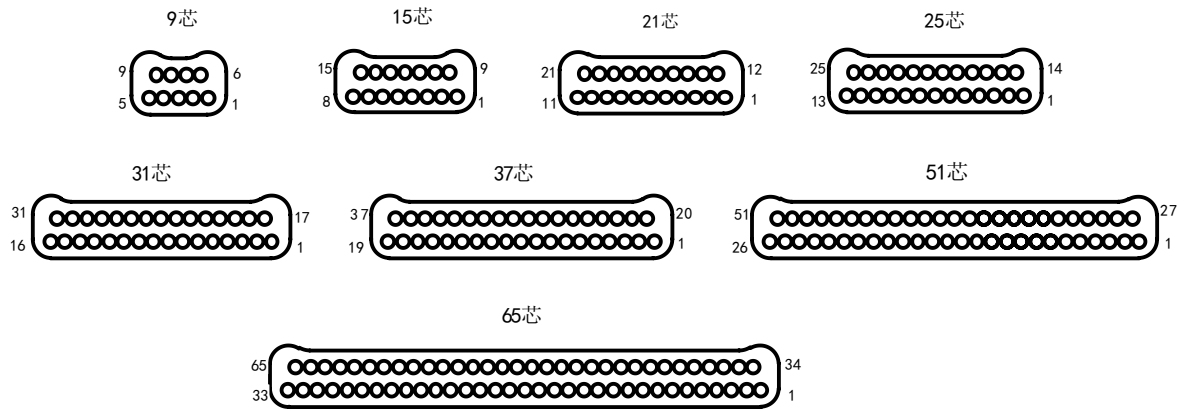
J70A series 15 cores connector, plug mount with wire spring pin, termination connection crimping, locking bolt;

Then the plug type is J70A-212-015-161-JC;

Receptacle with socket, termination use horizontal mounting, coupling nut;

Then the receptacle type is J70A-2D2-015-221-TH

Contact Layout (insulator interface diagram)



Plug and receptacle common types:

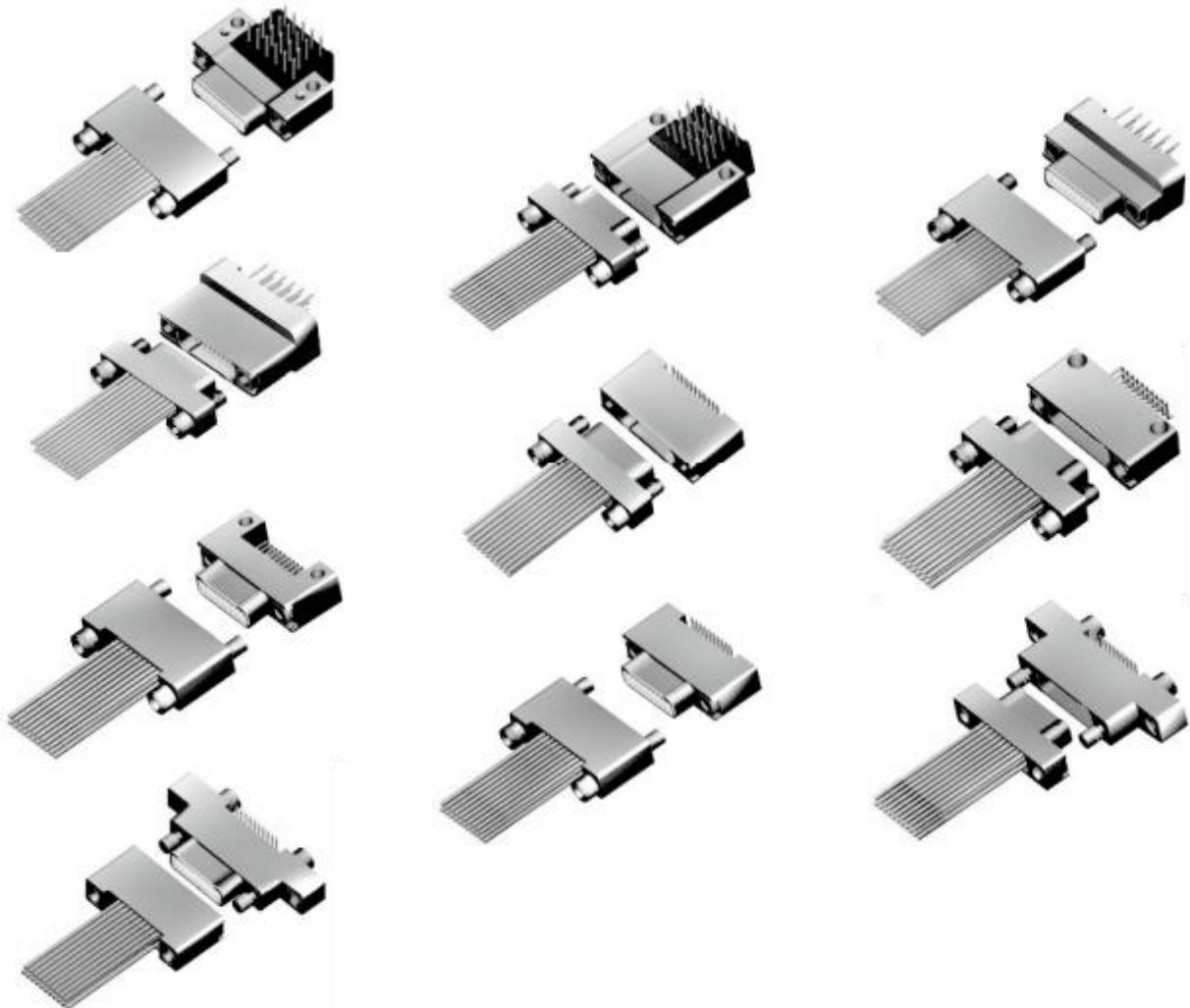
1. Cable to cable:



2. Cable, PCB to flexible plate



3. PCB to cable



Ordering information

1、J70A and J70 products, both use crimping wire AFR-250-1X0.035-250V:

a) Wire length outside the shell is 300mm, the wire color follows from 1 hole site: black, brown, red, orange, yellow, green, blue, purple, gray, white, and then repeated. For those contacts more than 10, the wire color repeats every 10 wires. If customers have special requirements of wire length, customers need to mark the wire length at the end of the part number. For example: J70A-222-015-261-TH (L600), it means the wire length outside the shell is 600mm.

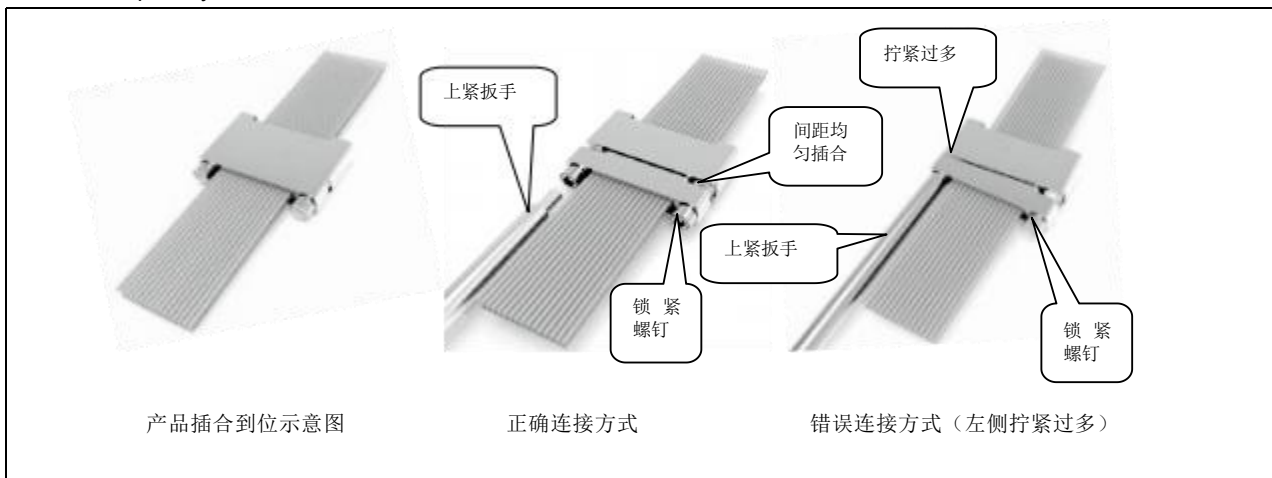
b) If customers prefer some color, need to mark the color and length, for example:

J70A-222-015-261-TH (read L500), it means use red wire, and the wire length outside the shell is 500mm.

2、If customers order "JC" type locking piece, customers also need to order the tool, part number is J70A-BS.

Introduction

When using the screwdriver to lock the locking bolt, customers need to tighten one side for a half circle, and then another side a half circle, then repeat, and finally the plug and receptacle mate with each other completely.



Dimensions

J70(A) series crimping plug, receptacle

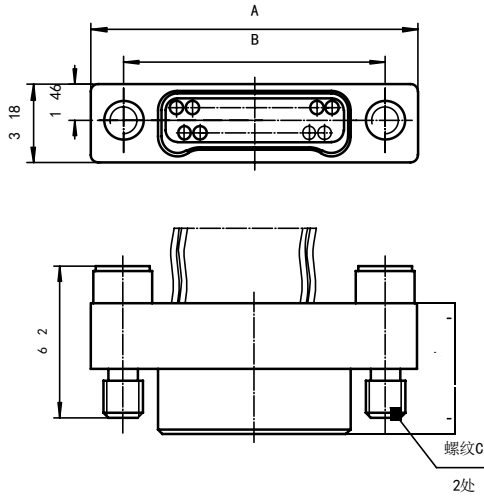


Plug J70(A)-212-xxx-161-JC



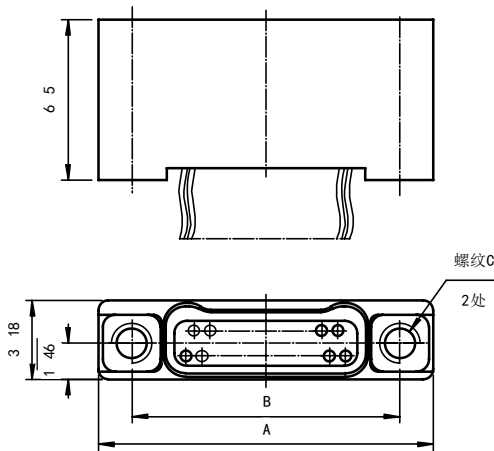
Receptacle J70(A)-222-xxx-261-TH

Plug J70(A)-212-xxx-161-JC



Part number	A	B	C
J70A-212-009-161-JC	9.52	6.86	M1.6
J70A-212-015-161-JC	11.43	8.76	
J70A-212-021-161-JC	13.33	10.67	
J70A-212-025-161-JC	14.6	11.94	
J70A-212-031-161-JC	16.51	13.84	
J70A-212-037-161-JC	18.41	15.75	
J70A-212-051-161-JC	22.86	20.19	
J70A-212-065-161-JC	27.31	24.64	0-80-UNF
J70-212-009-161-JC	9.52	6.86	
J70-212-015-161-JC	11.43	8.76	
J70-212-021-161-JC	13.33	10.67	
J70-212-025-161-JC	14.6	11.94	
J70-212-031-161-JC	16.51	13.84	
J70-212-037-161-JC	18.41	15.75	
J70-212-051-161-JC	22.86	20.19	
J70-212-065-161-JC	27.31	24.64	

Receptacle J70(A)-222-xxx-261-TH



Part number	A	B	C
J70A-222-009-261-TH	9.52	6.86	M1.6
J70A-222-015-261-TH	11.43	8.76	
J70A-222-021-261-TH	13.33	10.67	
J70A-222-025-261-TH	14.6	11.94	
J70A-222-031-261-TH	16.51	13.84	
J70A-222-037-261-TH	18.41	15.75	
J70A-222-051-261-TH	22.86	20.19	
J70A-222-065-261-TH	27.31	24.64	0-80-UNF
J70-222-009-261-TH	9.52	6.86	
J70-222-015-261-TH	11.43	8.76	
J70-222-021-261-TH	13.33	10.67	
J70-222-025-261-TH	14.6	11.94	
J70-222-031-261-TH	16.51	13.84	
J70-222-037-261-TH	18.41	15.75	
J70-222-051-261-TH	22.86	20.19	
J70-222-065-261-TH	27.31	24.64	

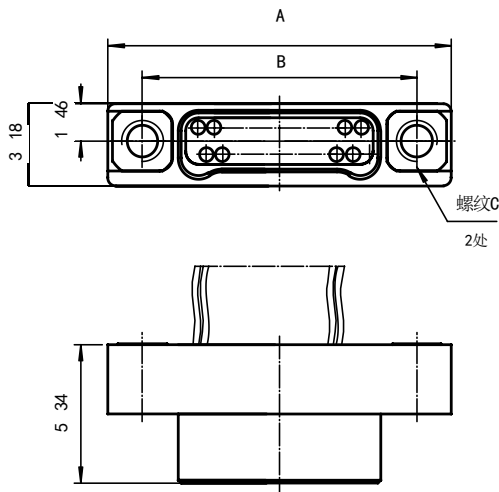


Plug J70(A)-212-xxx-161-TH



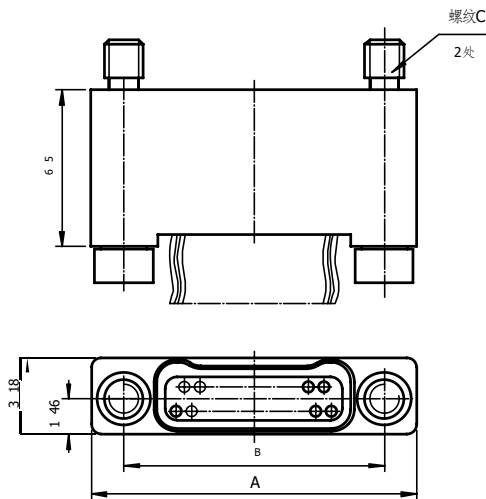
Receptacle J70(A)-222-xxx-261-JC

Plug J70(A)-212-xxx-161-TH



Part number	A	B	C
J70A-212-009-161-TH	9.52	6.86	M1.6
J70A-212-015-161-TH	11.43	8.76	
J70A-212-021-161-TH	13.33	10.67	
J70A-212-025-161-TH	14.6	11.94	
J70A-212-031-161-TH	16.51	13.84	
J70A-212-037-161-TH	18.41	15.75	
J70A-212-051-161-TH	22.86	20.19	
J70A-212-065-161-TH	27.31	24.64	0-80-UNF
J70-212-009-161-TH	9.52	6.86	
J70-212-015-161-TH	11.43	8.76	
J70-212-021-161-TH	13.33	10.67	
J70-212-025-161-TH	14.6	11.94	
J70-212-031-161-TH	16.51	13.84	
J70-212-037-161-TH	18.41	15.75	
J70-212-051-161-TH	22.86	20.19	
J70-212-065-161-TH	27.31	24.64	

Receptacle J70(A)-222-xxx-261-JC



Part number	A	B	C
J70A-222-009-261-JC	9.52	6.86	M1.6
J70A-222-015-261-JC	11.43	8.76	
J70A-222-021-261-JC	13.33	10.67	
J70A-222-025-261-JC	14.6	11.94	
J70A-222-031-261-JC	16.51	13.84	
J70A-222-037-261-JC	18.41	15.75	
J70A-222-051-261-JC	22.86	20.19	
J70A-222-065-261-JC	27.31	24.64	0-80-UNF
J70-222-009-261-JC	9.52	6.86	
J70-222-015-261-JC	11.43	8.76	
J70-222-021-261-JC	13.33	10.67	
J70-222-025-261-JC	14.6	11.94	
J70-222-031-261-JC	16.51	13.84	
J70-222-037-261-JC	18.41	15.75	
J70-222-051-261-JC	22.86	20.19	
J70-222-065-261-JC	27.31	24.64	

J70(A) surface mounting (soft) plug, receptacle

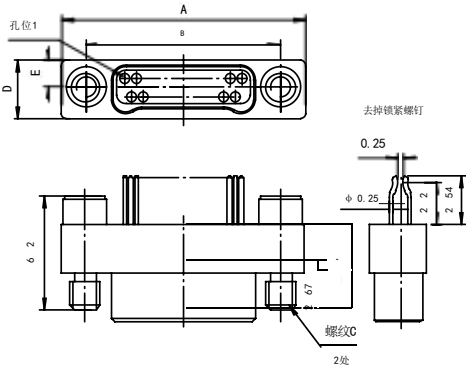


Plug J70(A)-212-xxx-121-JC



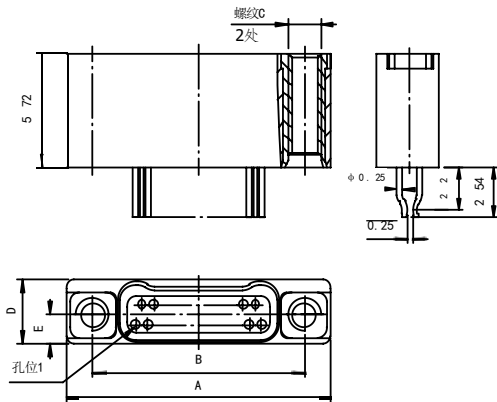
Receptacle J70(A)-222-xxx-221-TH

Plug J70(A)-212-xxx-121-JC



P/N	A	B	C	D	E
J70A-212-009-121-JC	9.52	6.86	M1.6	3.18	1.46
J70A-212-015-121-JC	11.43	8.76			
J70A-212-021-121-JC	13.33	10.67			
J70A-212-025-121-JC	14.6	11.94			
J70A-212-031-121-JC	16.51	13.84			
J70A-212-037-121-JC	18.41	15.75			
J70A-212-051-121-JC	22.86	20.19			
J70A-212-065-121-JC	27.31	24.64	0-80-UNF	3.18	1.46
J70A-212-069-121-JC	28.58	25.91			
J70A-212-085-121-JC	34.98	31.65			
J70-212-009-121-JC	9.52	6.86			
J70-212-015-121-JC	11.43	8.76			
J70-212-021-121-JC	13.33	10.67	2-56-UNC	3.81	1.78
J70-212-025-121-JC	14.6	11.94			
J70-212-031-121-JC	16.51	13.84			
J70-212-037-121-JC	18.41	15.75	2-56-UNC	3.81	1.78
J70-212-051-121-JC	22.86	20.19			
J70-212-065-121-JC	27.31	24.64			
J70-212-069-121-JC	28.58	25.91	2-56-UNC	3.81	1.78
J70-212-085-121-JC	34.98	31.65			
J70-212-085-121-JC	34.98	31.65			

Receptacle J70(A)-222-xxx-221-TH



P/N	A	B	C	D	E
J70A-222-009-221-TH	9.52	6.86	M1.6	3.18	1.46
J70A-222-015-221-TH	11.43	8.76			
J70A-222-021-221-TH	13.33	10.67			
J70A-222-025-221-TH	14.6	11.94			
J70A-222-031-221-TH	16.51	13.84			
J70A-222-037-221-TH	18.41	15.75			
J70A-222-051-221-TH	22.86	20.19			
J70A-222-065-221-TH	27.31	24.64	0-80-UNF	3.18	1.46
J70A-222-069-221-TH	28.58	25.91			
J70A-222-085-221-TH	34.98	31.65			
J70-222-009-121-TH	9.52	6.86			
J70-222-015-121-TH	11.43	8.76			
J70-222-021-121-TH	13.33	10.67			
J70-222-025-121-TH	14.6	11.94			
J70-222-031-121-TH	16.51	13.84	2-56-UNC	3.81	1.78
J70-222-037-121-TH	18.41	15.75			
J70-222-051-121-TH	22.86	20.19			
J70-222-065-121-TH	27.31	24.64	2-56-UNC	3.81	1.78
J70-222-069-121-TH	28.58	25.91			
J70-222-085-121-TH	34.98	31.65			

J70(A)series vertical mounting plug, receptacle

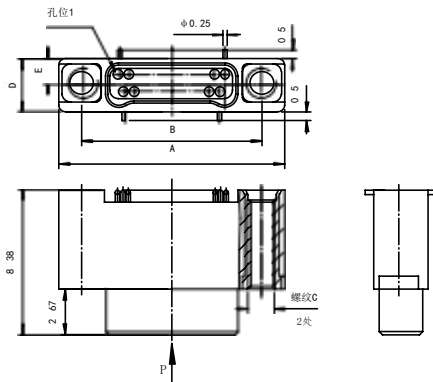


Plug J70(A)-2A2-xxx-121-TH

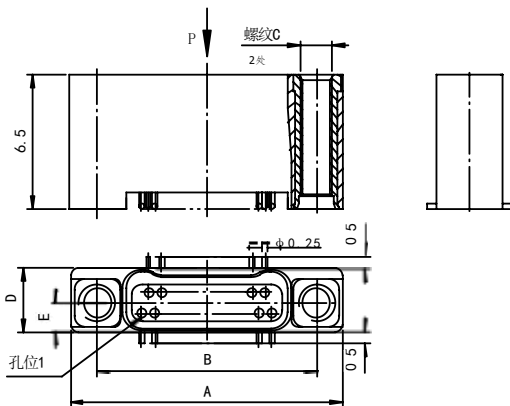


Receptacle J70(A)-2B2-xxx-221-TH

Plug J70(A)-2A2-xxx-121-TH



Receptacle J70(A)-2B2-xxx-221-TH



P/N	A	B	C	D	E
J70A-2A2-009-121-TH	9.52	6.86	M1.6	3.18	1.46
J70A-2A2-015-121-TH	11.43	8.76			
J70A-2A2-021-121-TH	13.33	10.67			
J70A-2A2-025-121-TH	14.6	11.94			
J70A-2A2-031-121-TH	16.51	13.84			
J70A-2A2-037-121-TH	18.41	15.75			
J70A-2A2-051-121-TH	22.86	20.19			
J70A-2A2-065-121-TH	27.31	24.64			
J70A-2A2-069-121-TH	28.58	25.91			
J70A-2A2-085-121-TH	34.98	31.65	M2	3.81	1.78
J70-2A2-009-121-TH	9.52	6.86	0-80-UNF	3.18	1.46
J70-2A2-015-121-TH	11.43	8.76			
J70-2A2-021-121-TH	13.33	10.67			
J70-2A2-025-121-TH	14.6	11.94			
J70-2A2-031-121-TH	16.51	13.84			
J70-2A2-037-121-TH	18.41	15.75			
J70-2A2-051-121-TH	22.86	20.19			
J70-2A2-065-121-TH	27.31	24.64			
J70-2A2-069-121-TH	28.58	25.91			
J70-2A2-085-121-TH	34.98	31.65	2-56-UNC	3.81	1.78
P/N	A	B	C	D	E
J70A-2B2-009-221-TH	9.52	6.86	M1.6	3.18	1.46
J70A-2B2-015-221-TH	11.43	8.76			
J70A-2B2-021-221-TH	13.33	10.67			
J70A-2B2-025-221-TH	14.6	11.94			
J70A-2B2-031-221-TH	16.51	13.84			
J70A-2B2-037-221-TH	18.41	15.75			
J70A-2B2-051-221-TH	22.86	20.19			
J70A-2B2-065-121-TH	27.31	24.64			
J70A-2B2-069-121-TH	28.58	25.91			
J70A-2B2-085-121-TH	34.98	31.65	M2	3.81	1.78
J70-2B2-009-221-TH	9.52	6.86	0-80-UNF	3.18	1.46
J70-2B2-015-221-TH	11.43	8.76			
J70-2B2-021-221-TH	13.33	10.67			
J70-2B2-025-221-TH	14.6	11.94			
J70-2B2-031-221-TH	16.51	13.84			
J70-2B2-037-221-TH	18.41	15.75			
J70-2B2-051-221-TH	22.86	20.19			
J70-2C2-065-121-TH	27.31	24.64			
J70-2C2-069-121-TH	28.58	25.91			
J70-2C2-085-121-TH	34.98	31.65	2-56-UNC	3.81	1.78

J70(A)series horizontal mounting plug, receptacle

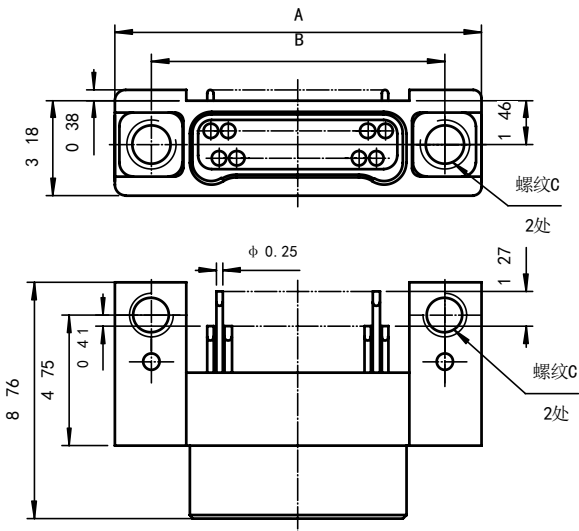


Plug J70(A)-2C2-xxx-121-TH



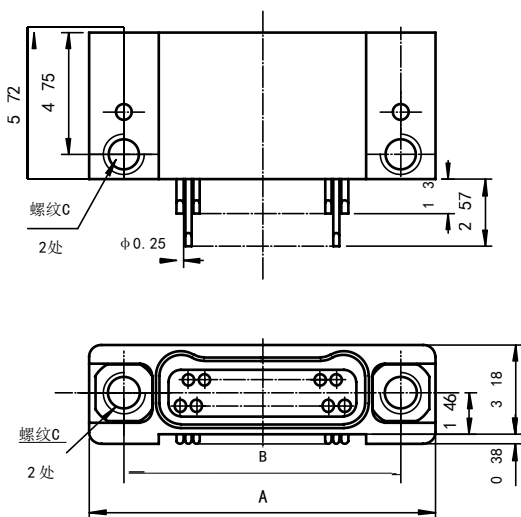
Receptacle J70(A)-2D2-xxx-221-TH

Plug J70(A)-2C2-xxx-121-TH



Part number	A	B	C
J70A-2C2-009-121-TH	9.52	6.86	M1.6
J70A-2C2-015-121-TH	11.43	8.76	
J70A-2C2-021-121-TH	13.33	10.67	
J70A-2C2-025-121-TH	14.6	11.94	
J70A-2C2-031-121-TH	16.51	13.84	
J70A-2C2-037-121-TH	18.41	15.75	
J70A-2C2-051-121-TH	22.86	20.19	0-80-UNF
J70A-2C2-065-121-TH	27.31	24.64	
J70-2C2-009-121-TH	9.52	6.86	
J70-2C2-015-121-TH	11.43	8.76	
J70-2C2-021-121-TH	13.33	10.67	
J70-2C2-025-121-TH	14.6	11.94	
J70-2C2-031-121-TH	16.51	13.84	
J70-2C2-037-121-TH	18.41	15.75	
J70-2C2-051-121-TH	22.86	20.19	
J70-2C2-065-121-TH	27.31	24.64	

Receptacle J70(A)-2D2-xxx-221-TH



Part number	A	B	C
J70A-2D2-009-221-TH	9.52	6.86	M1.6
J70A-2D2-015-221-TH	11.43	8.76	
J70A-2D2-021-221-TH	13.33	10.67	
J70A-2D2-025-221-TH	14.6	11.94	
J70A-2D2-031-221-TH	16.51	13.84	
J70A-2D2-037-221-TH	18.41	15.75	
J70A-2D2-051-221-TH	22.86	20.19	0-80-UNF
J70A-2D2-065-221-TH	27.31	24.64	
J70-2D2-009-221-TH	9.52	6.86	
J70-2D2-015-221-TH	11.43	8.76	
J70-2D2-021-221-TH	13.33	10.67	
J70-2D2-025-221-TH	14.6	11.94	
J70-2D2-031-221-TH	16.51	13.84	
J70-2D2-037-221-TH	18.41	15.75	
J70-2D2-051-221-TH	22.86	20.19	
J70-2D2-065-221-TH	27.31	24.64	

J70(A) series right-angle PCB plug, receptacle



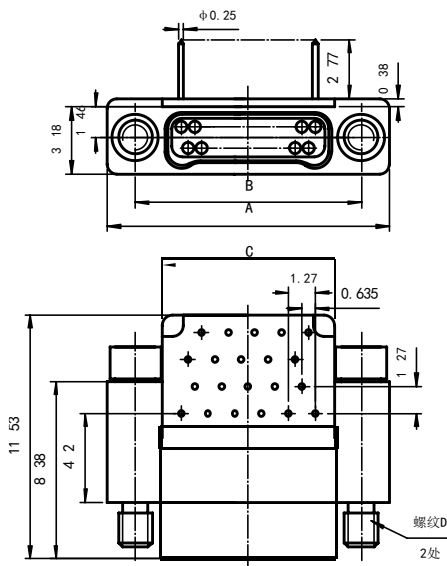
Plug J70(A)-2E2-xxx-321-JC



Plug J70(A)-2E2-xxx-321-TH

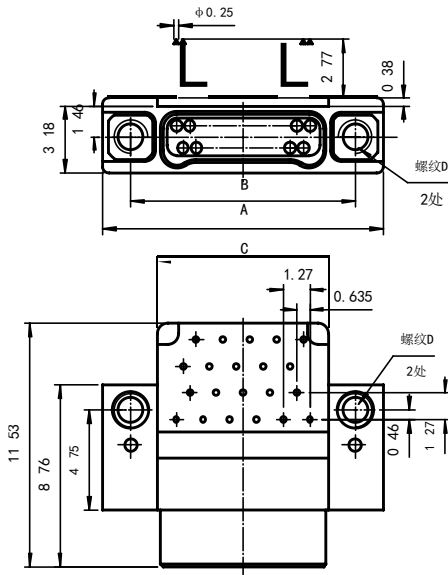

 Receptacle
J70(A)-2F2-xxx-431-TH

Plug J70(A)-2E2-xxx-321-JC



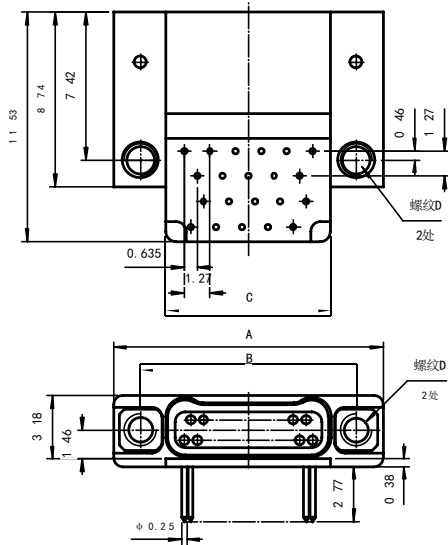
Part number	A	B	C	D
J70A-2E2-009-321-JC	9.52	6.86	4.32	M1.6
J70A-2E2-015-321-JC	11.43	8.76	6.22	
J70A-2E2-021-321-JC	13.33	10.67	8.13	
J70A-2E2-025-321-JC	14.6	11.94	9.40	
J70A-2E2-031-321-JC	16.51	13.84	11.30	
J70A-2E2-037-321-JC	18.41	15.75	13.21	
J70A-2E2-051-321-JC	22.86	20.19	17.65	0-80-UNF
J70A-2E2-065-321-JC	27.31	24.64	22.1	
J70-2E2-009-321-JC	9.52	6.86	4.32	
J70-2E2-015-321-JC	11.43	8.76	6.22	
J70-2E2-021-321-JC	13.33	10.67	8.13	
J70-2E2-025-321-JC	14.6	11.94	9.40	
J70-2E2-031-321-JC	16.51	13.84	11.30	
J70-2E2-037-321-JC	18.41	15.75	13.21	
J70-2E2-051-321-JC	22.86	20.19	17.65	
J70-2E2-065-321-JC	27.31	24.64	22.1	

Plug J70(A)-2E2-xxx-321-TH



Part number	A	B	C	D
J70A-2E2-009-321-TH	9.52	6.86	4.32	M1.6
J70A-2E2-015-321-TH	11.43	8.76	6.22	
J70A-2E2-021-321-TH	13.33	10.67	8.13	
J70A-2E2-025-321-TH	14.6	11.94	9.40	
J70A-2E2-031-321-TH	16.51	13.84	11.30	
J70A-2E2-037-321-TH	18.41	15.75	13.21	
J70A-2E2-051-321-TH	22.86	20.19	17.65	0-80-UNF
J70A-2E2-065-321-TH	27.31	24.64	22.1	
J70-2E2-009-321-TH	9.52	6.86	4.32	
J70-2E2-015-321-TH	11.43	8.76	6.22	
J70-2E2-021-321-TH	13.33	10.67	8.13	
J70-2E2-025-321-TH	14.6	11.94	9.40	
J70-2E2-031-321-TH	16.51	13.84	11.30	
J70-2E2-037-321-TH	18.41	15.75	13.21	
J70-2E2-051-321-TH	22.86	20.19	17.65	
J70-2E2-065-321-TH	27.31	24.64	22.1	

Receptacle J70(A)-2F2-xxx-431-TH



Part number	A	B	C	D
J70A-2F2-009-431-TH	9.52	6.86	4.32	M1.6
J70A-2F2-015-431-TH	11.43	8.76	6.22	
J70A-2F2-021-431-TH	13.33	10.67	8.13	
J70A-2F2-025-431-TH	14.6	11.94	9.40	
J70A-2F2-031-431-TH	16.51	13.84	11.30	
J70A-2F2-037-431-TH	18.41	15.75	13.21	
J70A-2F2-051-431-TH	22.86	20.19	17.65	
J70-2F2-009-431-TH	9.52	6.86	4.32	0-80-UNF
J70-2F2-015-431-TH	11.43	8.76	6.22	
J70-2F2-021-431-TH	13.33	10.67	8.13	
J70-2F2-025-431-TH	14.6	11.94	9.40	
J70-2F2-031-431-TH	16.51	13.84	11.30	
J70-2F2-037-431-TH	18.41	15.75	13.21	
J70-2F2-051-431-TH	22.86	20.19	17.65	
J70-2F2-065-431-TH	27.31	24.64	22.1	

J70(A) series straight PCB plug, receptacle



Plug J70(A)-2G2-xxx-131-TH

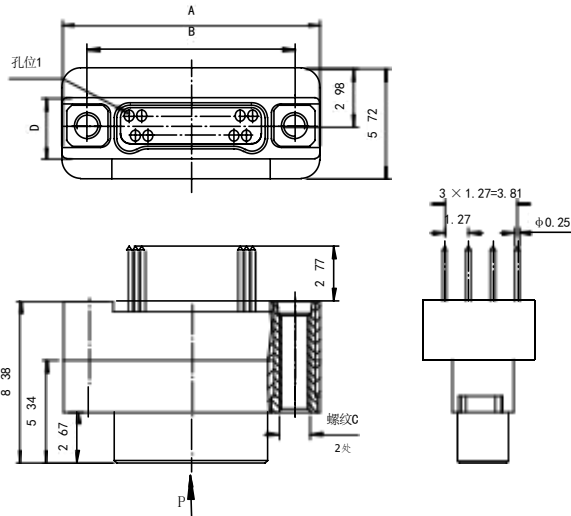


Receptacle J70(A)-2H2-xxx-231-TH

In the plug part number, 13 means termination type, leading pin length 2.77; 14 leading pin length 3.56, 15 leading pin length 4.37. The picture takes J70(A)-2G2-xxx-131-TH for example.

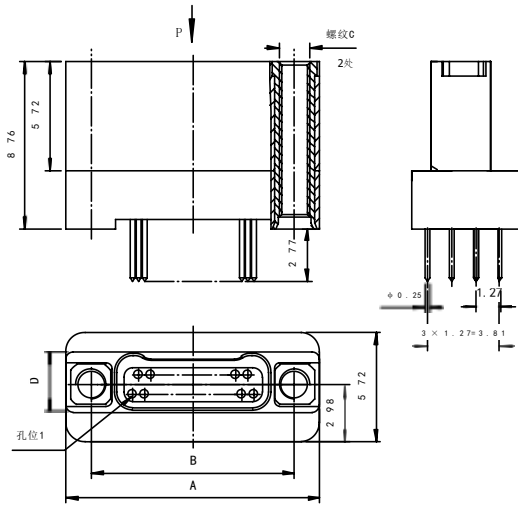
In the receptacle part number, 23 means termination type, leading pin length 2.77; 24 leading pin length 3.56; 25 leading pin length 4.37. The picture takes J70(A)-2H2-xxx-231-TH for example.

Plug J70(A)-2G2-xxx-131-TH



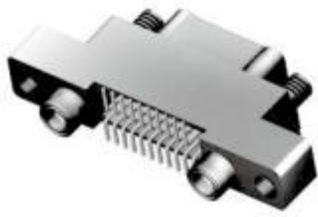
P/N	A	B	C	D		
J70A-2G2-009-131-TH	9.52	6.86	M1.6	3.18		
J70A-2G2-015-131-TH	11.43	8.76				
J70A-2G2-021-131-TH	13.33	10.67				
J70A-2G2-025-131-TH	14.6	11.94				
J70A-2G2-031-131-TH	16.51	13.84				
J70A-2G2-037-131-TH	18.41	15.75				
J70A-2G2-051-131-TH	22.86	20.19	M2	3.81		
J70A-2G2-065-131-TH	27.31	24.64				
J70A-2G2-069-131-TH	28.58	25.91				
J70A-2G2-085-131-TH	34.98	31.65				
J70-2G2-009-131-TH	9.52	6.86			0-80-UNF	3.18
J70-2G2-015-131-TH	11.43	8.76				
J70-2G2-021-131-TH	13.33	10.67				
J70-2G2-025-131-TH	14.6	11.94				
J70-2G2-031-131-TH	16.51	13.84				
J70-2G2-037-131-TH	18.41	15.75				
J70-2G2-051-131-TH	22.86	20.19	2-56-UNC	3.81		
J70-2G2-065-131-TH	27.31	24.64				
J70-2G2-069-131-TH	28.58	25.91				
J70-2G2-085-131-TH	34.98	31.65				

Receptacle J70(A)-2H2-xxx-231-TH



P/N	A	B	C	D
J70A-2H2-009-231-TH	9.52	6.86	M1.6	3.18
J70A-2H2-015-231-TH	11.43	8.76		
J70A-2H2-021-231-TH	13.33	10.67		
J70A-2H2-025-231-TH	14.6	11.94		
J70A-2H2-031-231-TH	16.51	13.84		
J70A-2H2-037-231-TH	18.41	15.75		
J70A-2H2-051-231-TH	22.86	20.19		
J70A-2H2-065-231-TH	27.31	24.64		
J70A-2H2-069-231-TH	28.58	25.91		
J70A-2H2-085-231-TH	34.98	31.65	M2	3.81
J70-2H2-009-231-TH	9.52	6.86	0-80-UNF	3.18
J70-2H2-015-231-TH	11.43	8.76		
J70-2H2-021-231-TH	13.33	10.67		
J70-2H2-025-231-TH	14.6	11.94		
J70-2H2-031-231-TH	16.51	13.84		
J70-2H2-037-231-TH	18.41	15.75		
J70-2H2-051-231-TH	22.86	20.19		
J70-2H2-065-231-TH	27.31	24.64		
J70-2H2-069-231-TH	28.58	25.91		
J70-2H2-085-231-TH	34.98	31.65	2-56-UNC	3.81

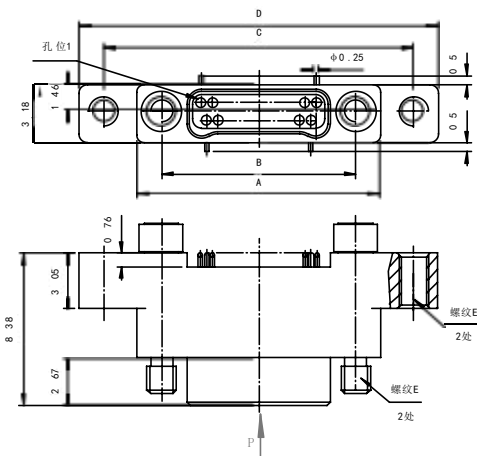
J70(A) series vertical mounting (with mounting ear) plug, receptacle



Plug J70(A)-2K2-xxx-121-JC

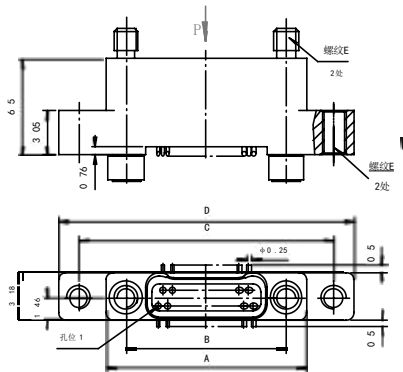
Receptacle J70(A)-2L2-xxx-221-JC

Plug J70 (A)-2K2- X X X-121-JC



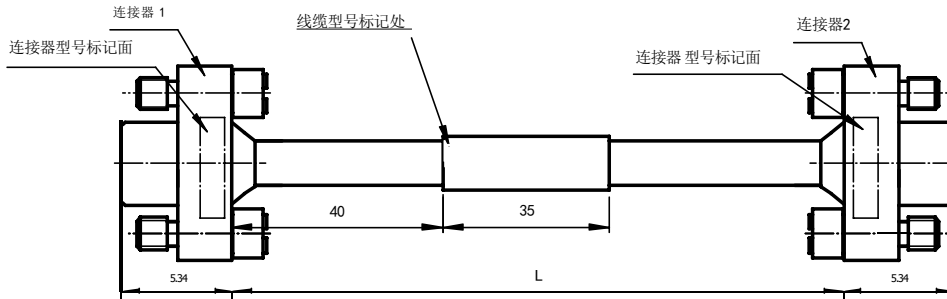
P/N	A	B	C	D	E
J70A-2K2-009-121-JC	9.52	6.86	13.21	15.88	M1.6
J70A-2K2-015-121-JC	11.43	8.76	15.11	17.78	
J70A-2K2-021-121-JC	13.33	10.67	17.02	19.69	
J70A-2K2-025-121-JC	14.6	11.94	18.29	20.96	
J70A-2K2-031-121-JC	16.51	13.84	20.19	22.86	
J70A-2K2-037-121-JC	18.41	15.75	22.1	24.77	
J70A-2K2-051-121-JC	22.86	20.19	26.54	29.21	
J70A-2K2-065-121-JC	27.31	24.64	30.99	33.66	
J70A-2K2-069-121-JC	28.58	25.91	34.93	32.26	0-80-UNF
J70-2K2-009-121-JC	9.52	6.86	13.21	15.88	
J70-2K2-015-121-JC	11.43	8.76	15.11	17.78	
J70-2K2-021-121-JC	13.33	10.67	17.02	19.69	
J70-2K2-025-121-JC	14.6	11.94	18.29	20.96	
J70-2K2-031-121-JC	16.51	13.84	20.19	22.86	
J70-2K2-037-121-JC	18.41	15.75	22.1	24.77	
J70-2K2-051-121-JC	22.86	20.19	26.54	29.21	
J70-2K2-065-121-JC	27.31	24.64	30.99	33.66	
J70-2K2-069-121-JC	28.58	25.91	34.93	32.26	

Receptacle J70 (A)-2L2- X X X-221-JC



P/N	A	B	C	D	E
J70A-2L2-009-221-JC	9.52	6.86	13.21	15.88	M1.6
J70A-2L2-015-221-JC	11.43	8.76	15.11	17.78	
J70A-2L2-021-221-JC	13.33	10.67	17.02	19.69	
J70A-2L2-025-221-JC	14.6	11.94	18.29	20.96	
J70A-2L2-031-221-JC	16.51	13.84	20.19	22.86	
J70A-2L2-037-221-JC	18.41	15.75	22.1	24.77	
J70A-2L2-051-221-JC	22.86	20.19	26.54	29.21	
J70A-2L2-065-221-JC	27.31	24.64	30.99	33.66	
J70A-2L2-069-221-JC	28.58	25.91	34.93	32.26	0-80-UNF
J70-2L2-009-221-JC	9.52	6.86	13.21	15.88	
J70-2L2-015-221-JC	11.43	8.76	15.11	17.78	
J70-2L2-021-221-JC	13.33	10.67	17.02	19.69	
J70-2L2-025-221-JC	14.6	11.94	18.29	20.96	
J70-2L2-031-221-JC	16.51	13.84	20.19	22.86	
J70-2L2-037-221-JC	18.41	15.75	22.1	24.77	
J70-2L2-051-221-JC	22.86	20.19	26.54	29.21	
J70-2L2-065-221-JC	27.31	24.64	30.99	33.66	
J70-2L2-069-221-JC	28.58	25.91	34.93	32.26	

J70(A) series dual plug cable assembly

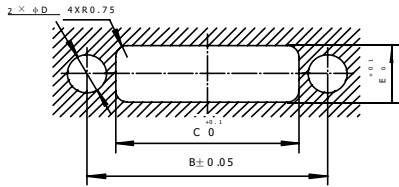


Remark: the connectors of the two sides in the picture are both J70A-212-xxx-161-JC3.

Part number	Connector 1 P/N	Connector 2 P/N	L1	L
J70A-2J2-xxx-PP1	J70A-212-xxx-161-JC3	J70A-212-xxx-161-JC3	L≤50, no mark	Customized
J70A-2J2-xxx-SS1	J70A-222-xxx-261-TH	J70A-222-xxx-261-TH		
J70A-2J2-xxx-PS1	J70A-222-xxx-261-TH	J70A-222-xxx-261-TH		

Panel cut-out dimensions

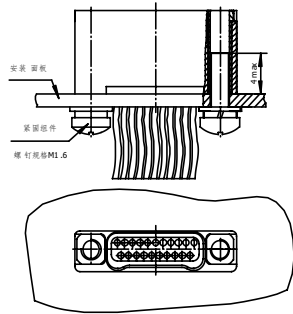
J70A-222-xxx-261-TH cut-out dimension is as below:



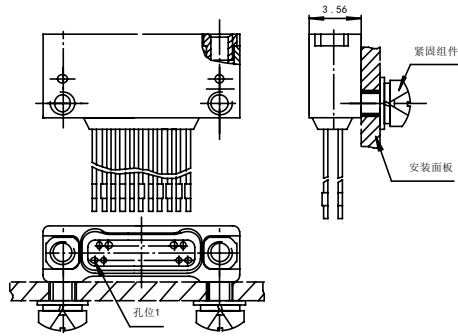
xxx (Core number)	B	C	D	E
009	6.86	4.2	1.8	2.8
015	8.76	6.1	1.8	2.8
021	10.67	8.0	1.8	2.8
025	11.94	9.3	1.8	2.8
031	13.84	11.2	1.8	2.8
037	15.75	13.1	1.8	2.8
051	20.19	17.6	1.8	2.8
065	24.64	22.1	1.8	2.8
069	25.91	23.2	1.8	2.8
085	31.65	29.5	2.3	3.3

Product mounting illustration picture

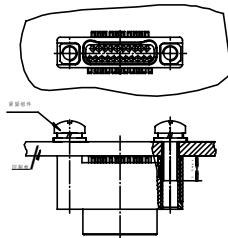
If the part number is marked with "TH-A" at the end, it means the product is provided with mounting screws, spring gasket and cushion. The mounting board or PCB thickness ≤ 2mm. If customers have special requirement, write it in the order.



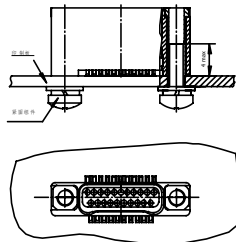
J70(A)-222-xxx-261-TH mounting illustration picture



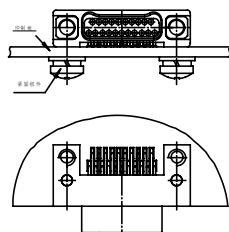
J70(A)-232-xxx-161-TH/J70(A)-242-xxx-261-TH mounting illustration picture (take receptacle for example)



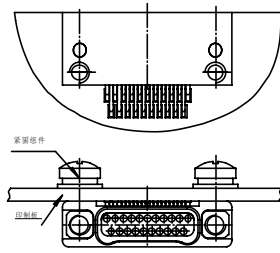
J70(A)-2A2-xxx-121-TH mounting illustration picture



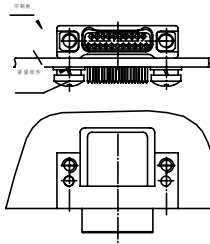
J70(A)-2B2-xxx-221-TH mounting illustration picture



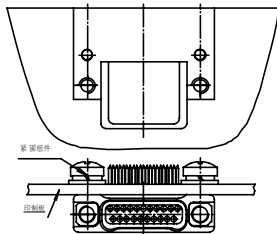
J70(A)-2C2-xxx-121-TH mounting illustration picture



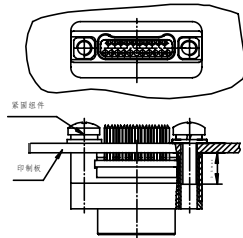
J70(A)-2D2-xxx-221-TH mounting illustration picture



J70(A)-2E2-xxx-321-TH mounting illustration picture



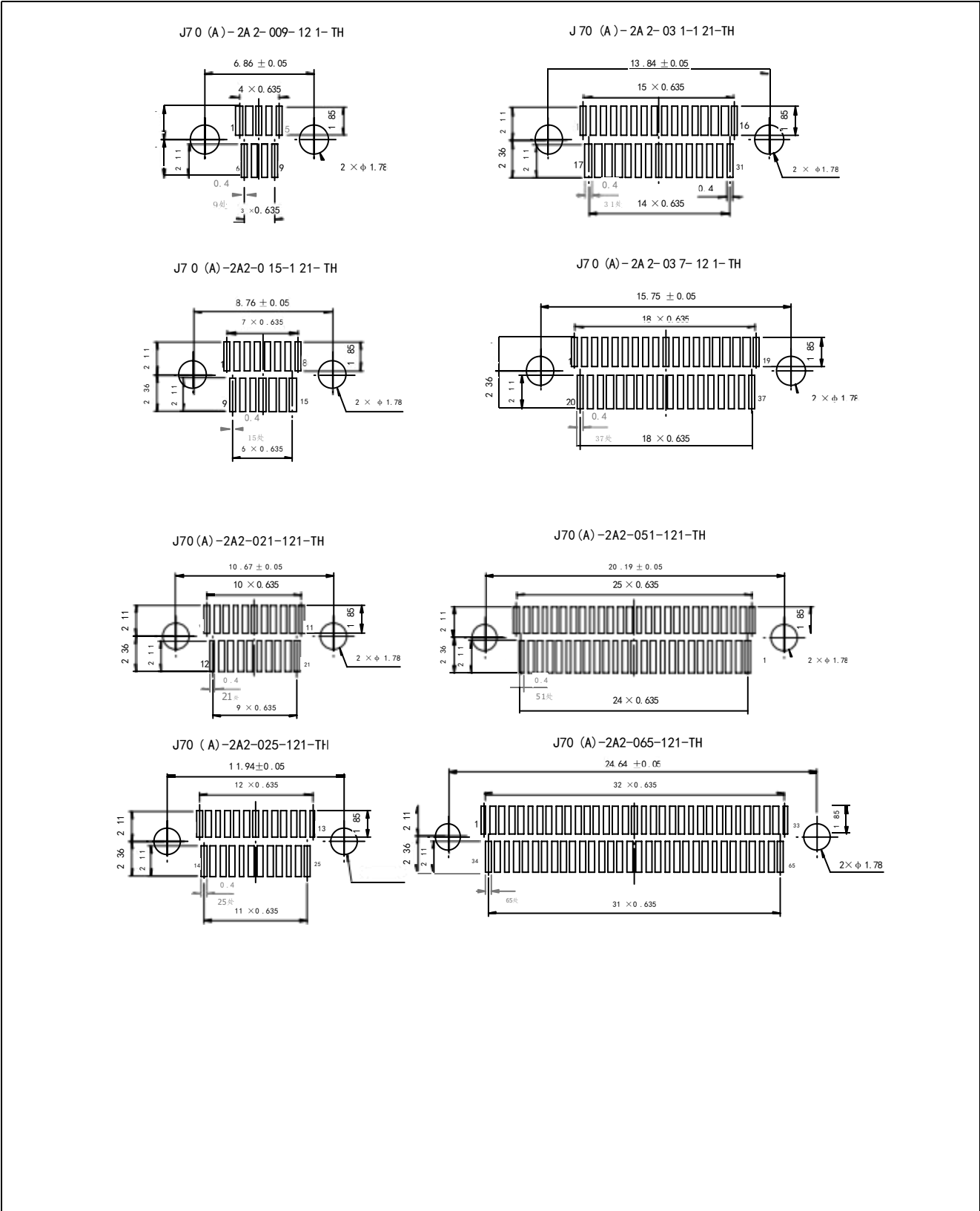
J70(A)-2F2-xxx-431-TH mounting illustration picture



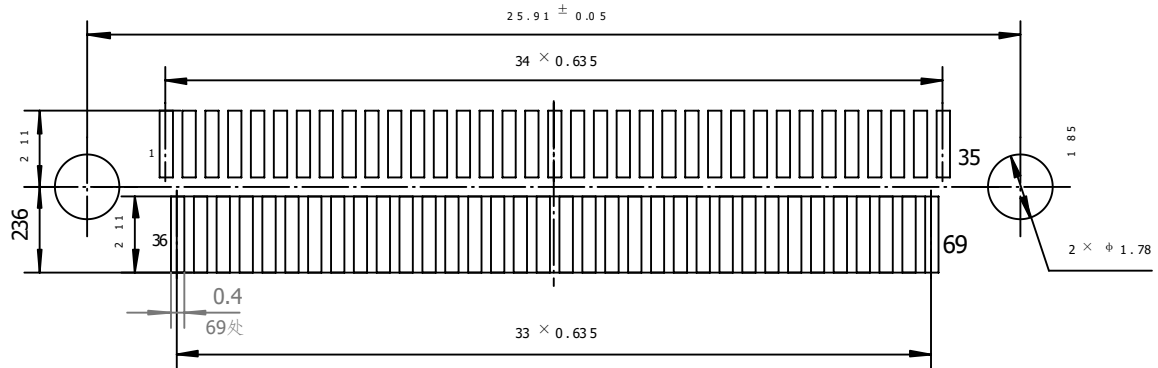
J70(A)-2G2-xxx-131-TH mounting illustration picture (take plug for example; the receptacle is the same)

PCB cut-out and solder pad dimensions:

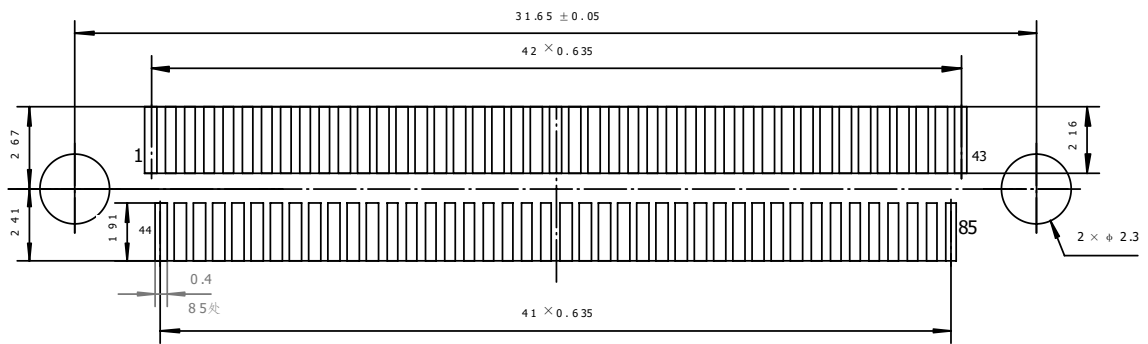
J70(A)-2A2-xxx-121-TH vertical mounting plug PCB cut-out and solder pad dimension (P direction)



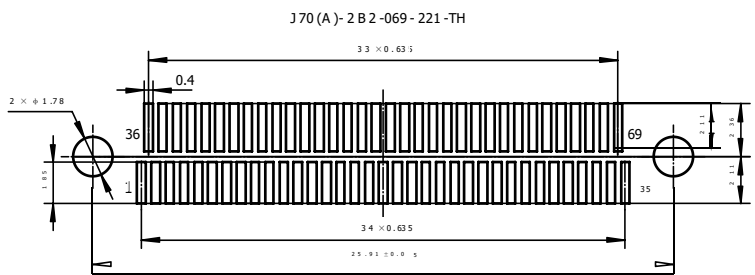
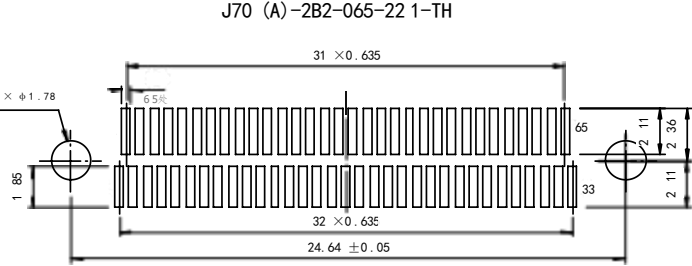
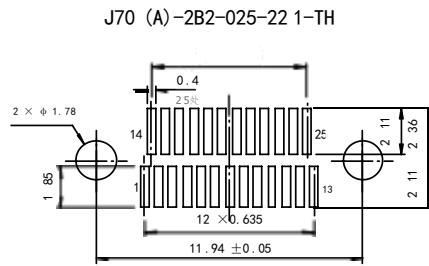
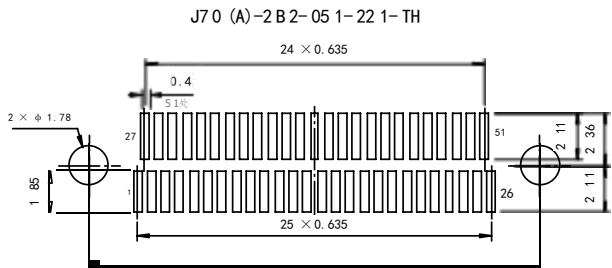
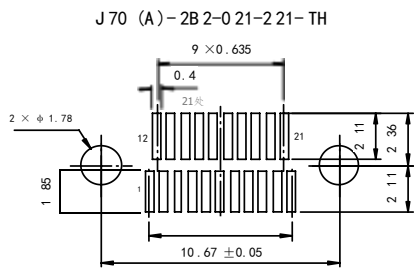
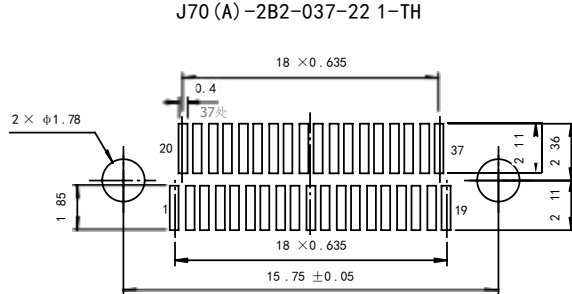
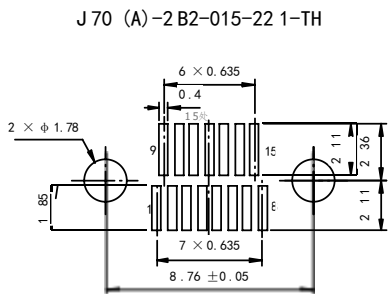
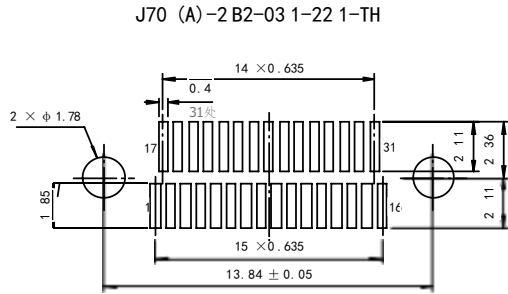
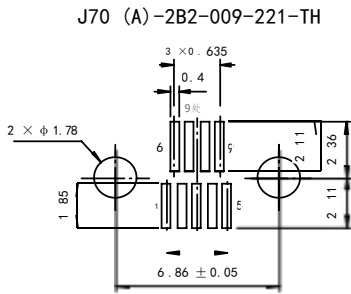
J70(A)-2A2-069-121-TH

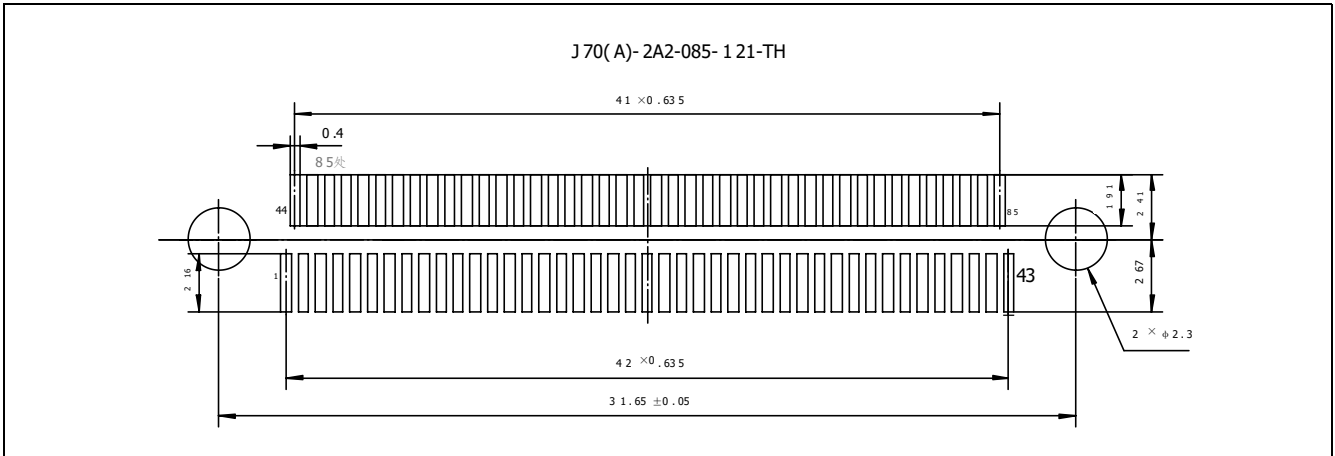


J70(A)-2A2-085-121-TH



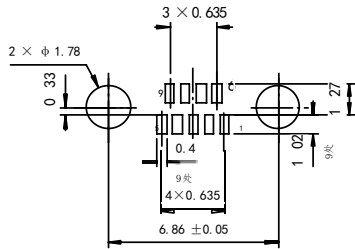
J70(A)-2B2-xxx-221-TH vertical mounting receptacle PCB cut-out and solder pad dimension (P direction)



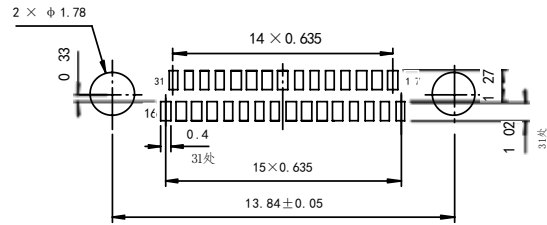


J70(A)-2C2-xxx-121-TH horizontal mounting plug PCB cut-out and solder pad dimension

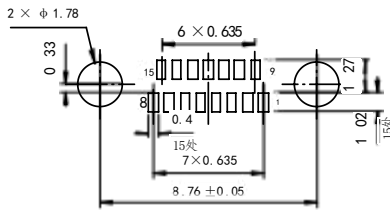
J70 (A)-2C2-009-121-TH



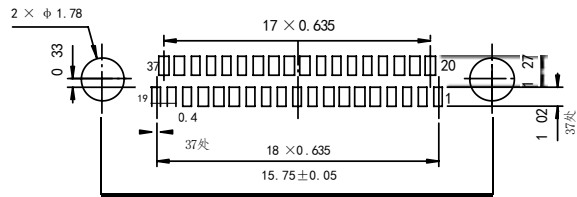
J70 (A)-2C2-031-121-TH



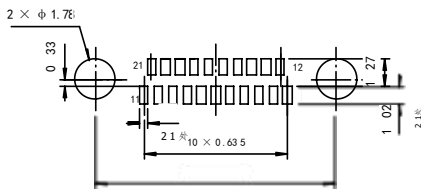
J70 (A)-2C2-015-121-TH



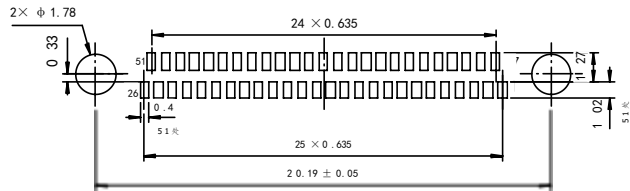
J70 (A)-2C2-037-121-TH



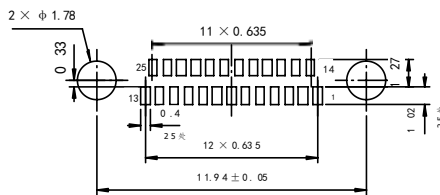
J70 (A)-2C2-021-121-TH



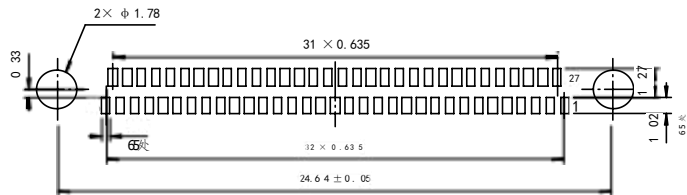
J70 (A)-2C2-051-121-TH



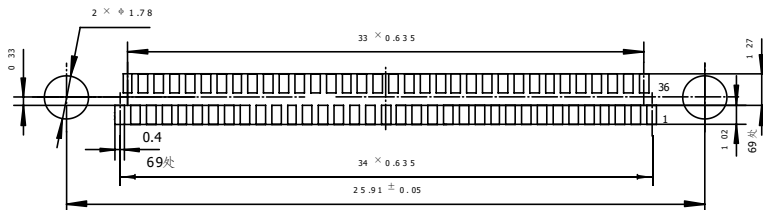
J70 (A)-2C2-025-121-TH

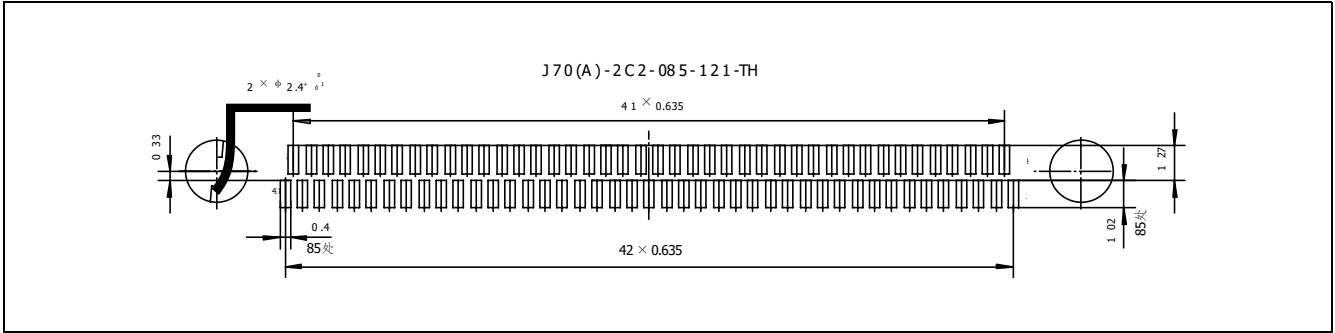


J70 (A)-2C2-065-121-TH

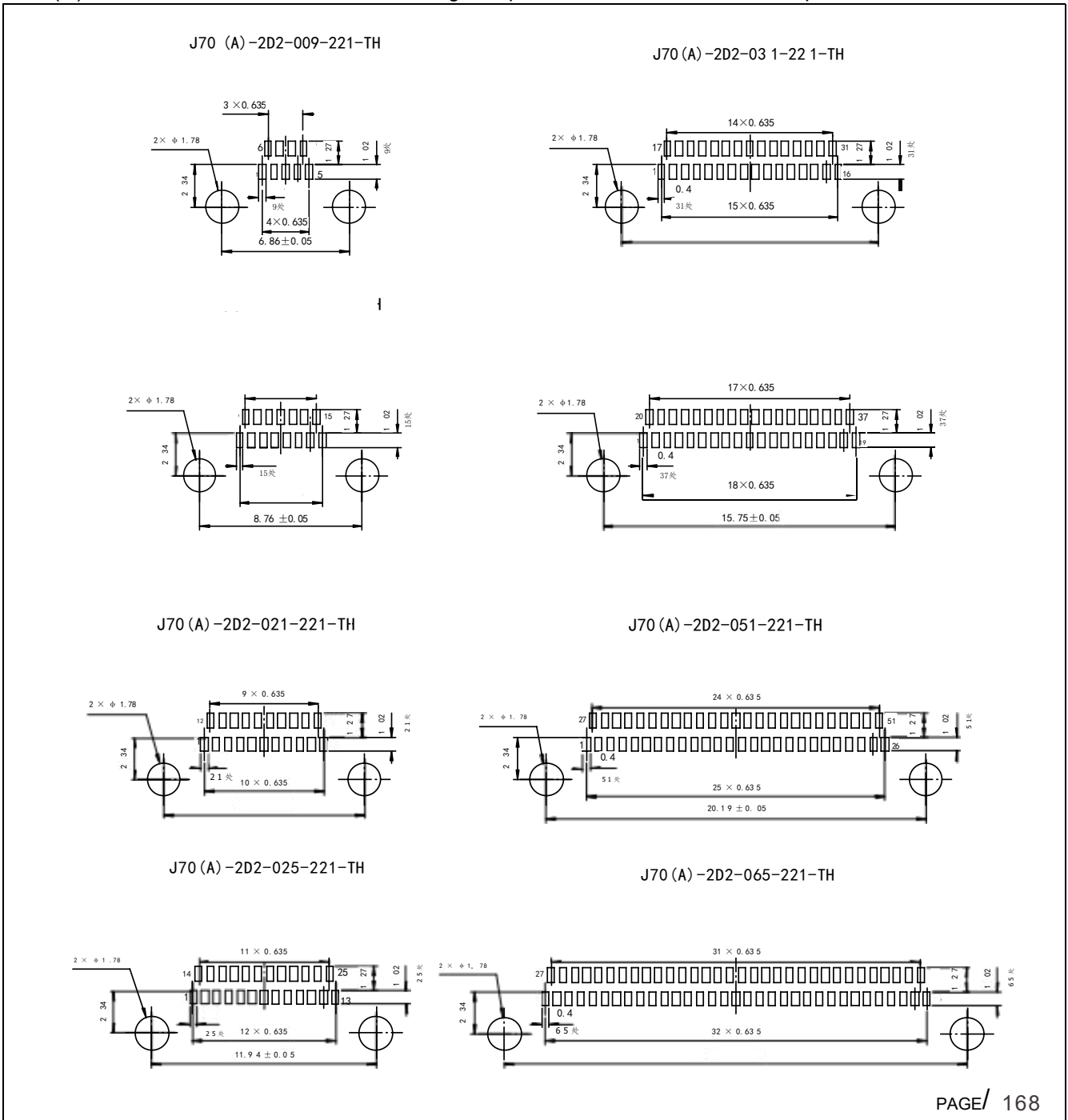


J70 (A)-2C2-069-121-TH

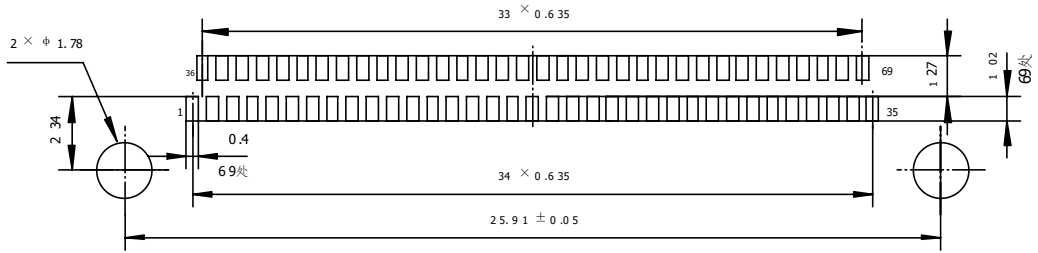




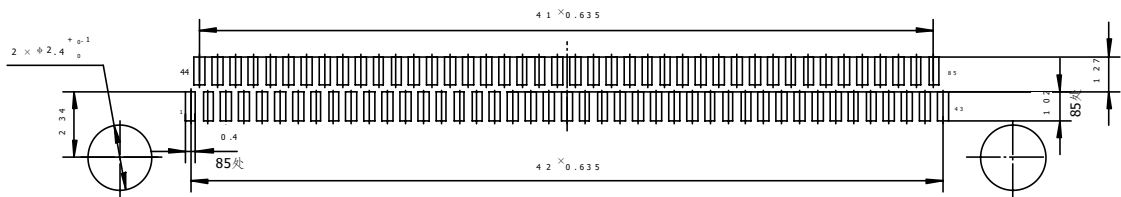
J70(A)-2D2-xxx-221-TH horizontal mounting receptacle PCB cut-out and solder pad dimension



J70(A) - 2D2-069- 2 21-TH



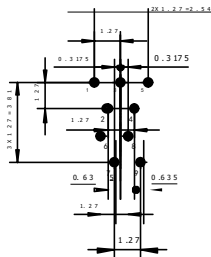
J70(A) - 2 D 2-085- 22 1-TH



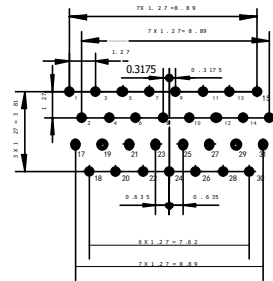
J70(A)-2E2-xxx-321/331/341-JC right-angle PCB mounting plug cut-out dimension (P direction)

Recommended cut-out diameter is $\Phi 0.33^{+0.05}_0$

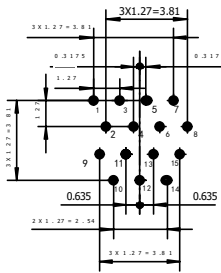
J70 (A)-2E2-009-321-JC



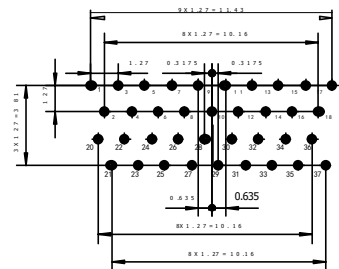
J70 (A)-2E2-031-321-JC



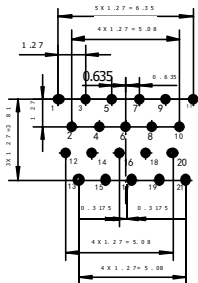
J70 (A)-2E2-015-321-JC



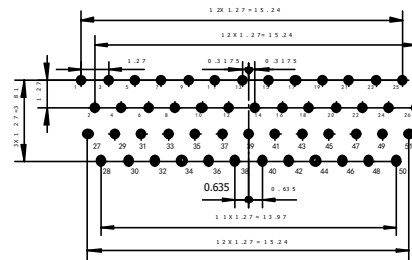
J70 (A)-2E2-037-321-JC



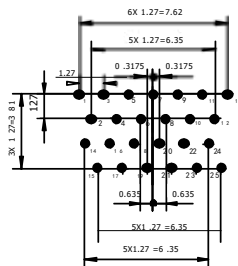
J70 (A)-2E2-021-321-JC



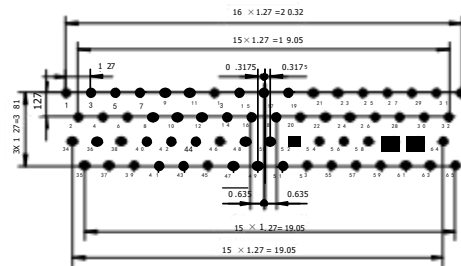
J70 (A)-2E2-051-321-JC



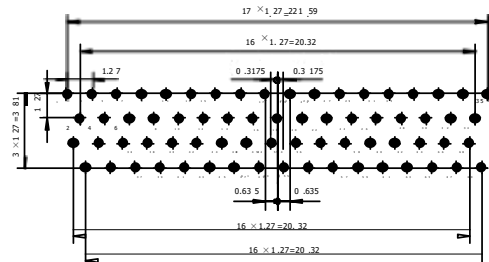
J70 (A)-2E2-025-321-JC

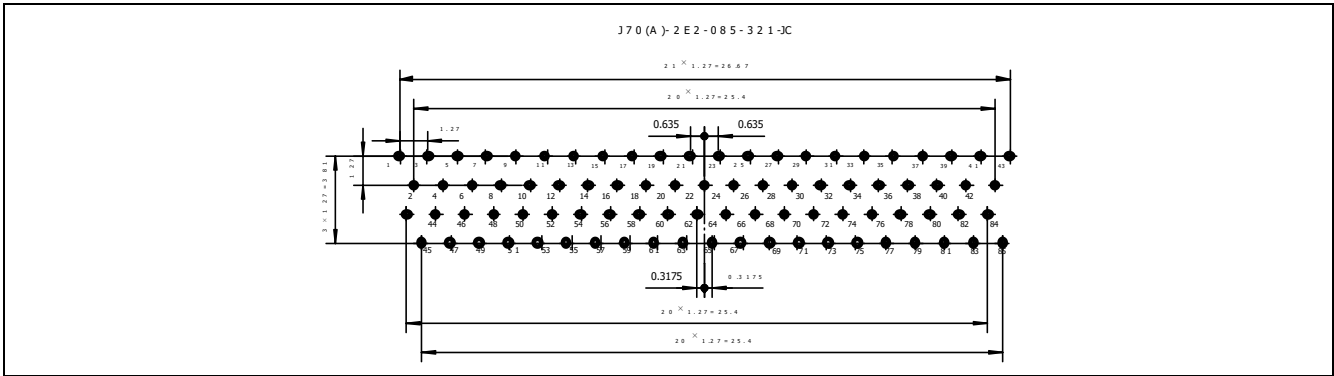


J70 (A)-2E2-065-321-JC



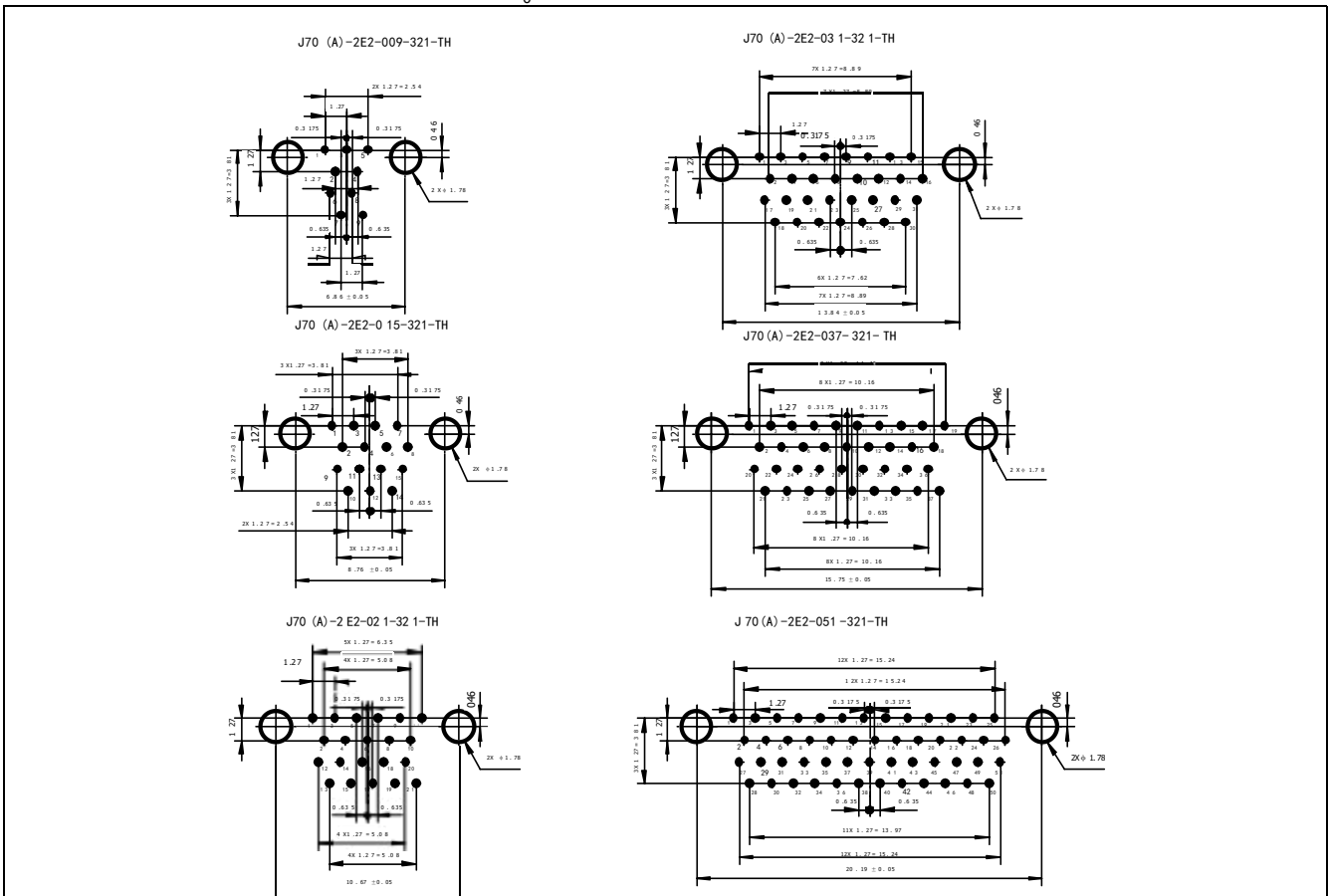
J70(A)-2E2-069-321-JC

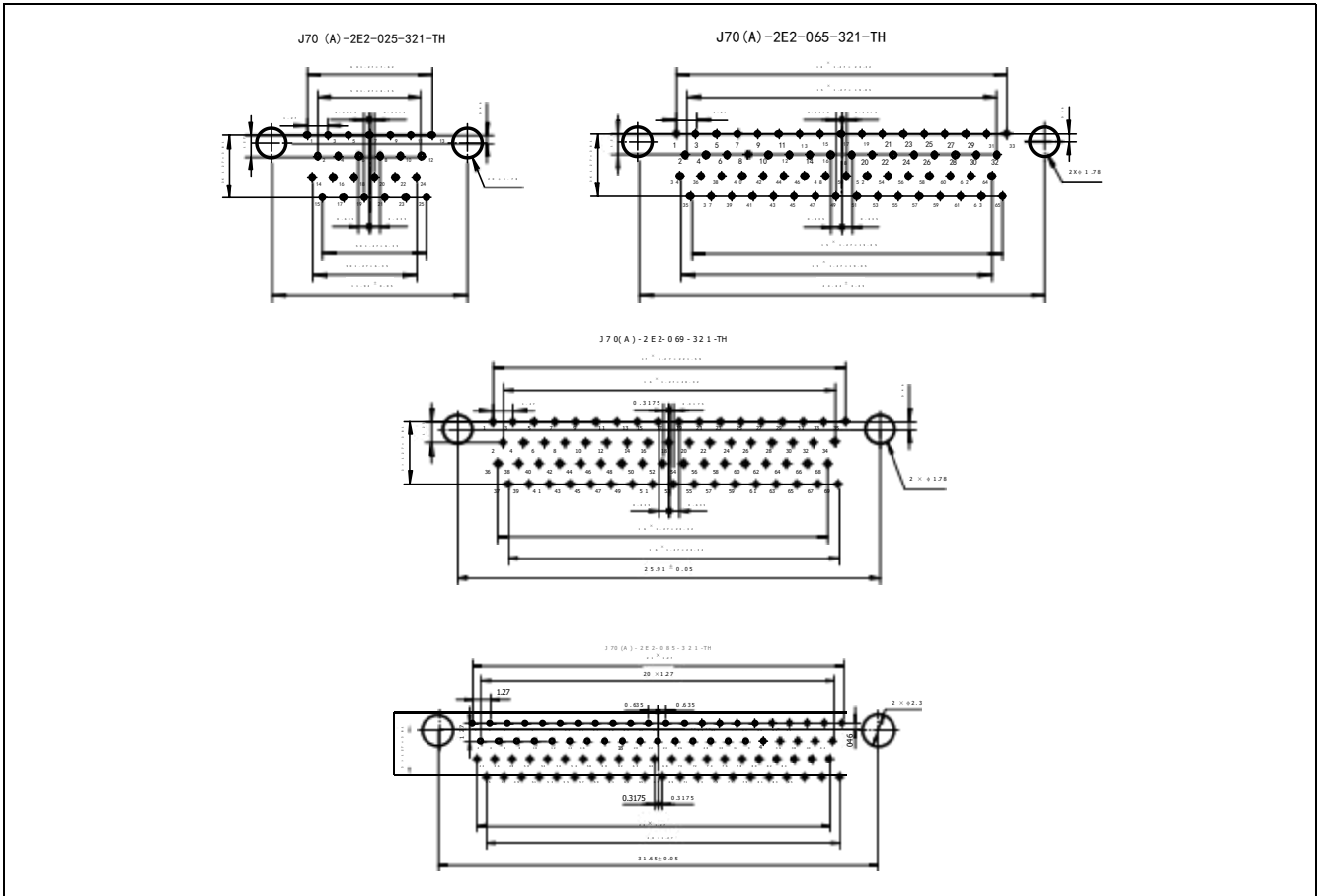




J70(A)-2E2-xxx-321/331/341-TH right-angle PCB mounting plug cut-out dimension (P direction)

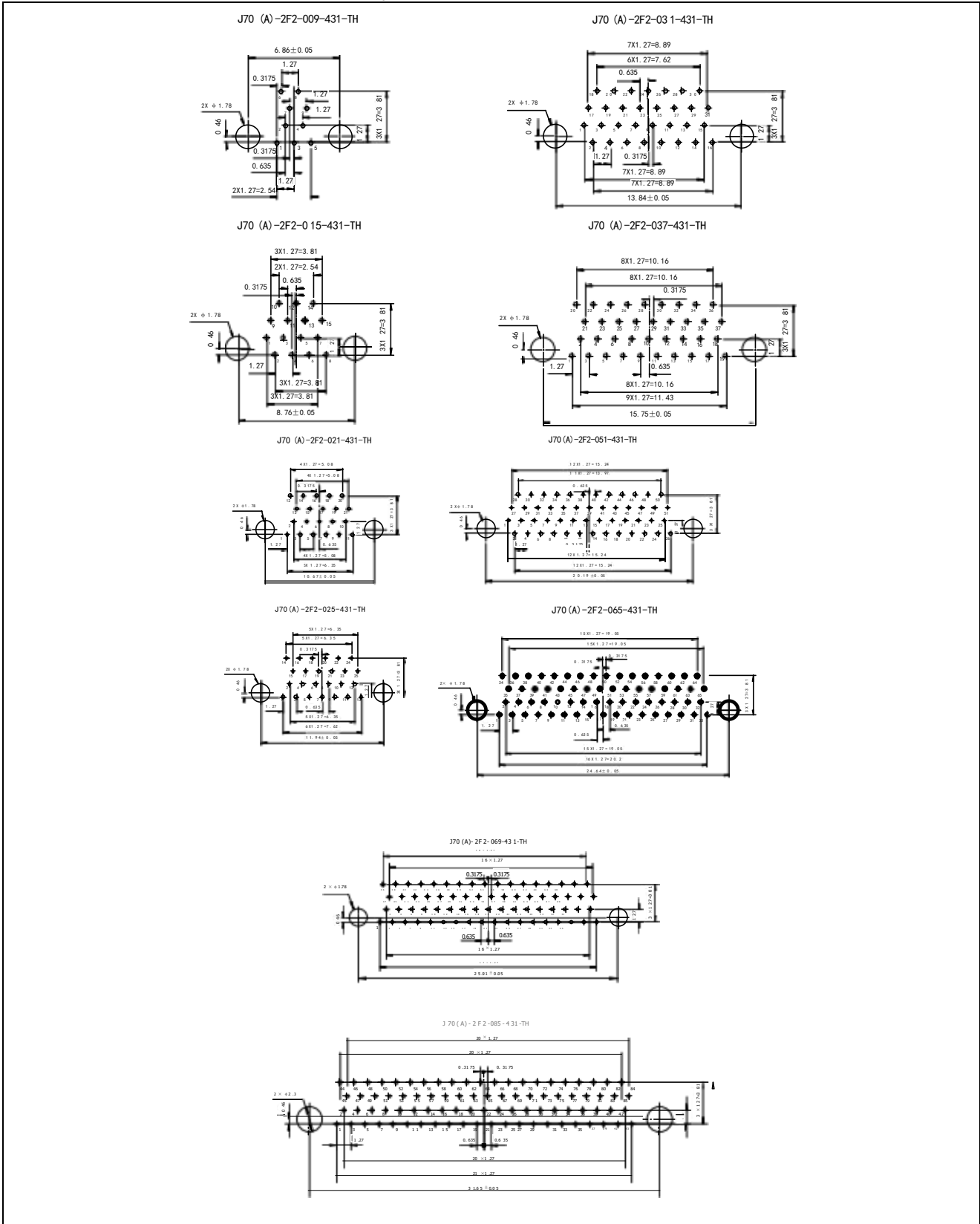
Recommended cut-out diameter is $\Phi 0.33^{+0.05}_0$





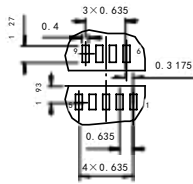
J70(A)-2F2-xxx-431/441/451-TH right-angle PCB mounting receptacle cut-out dimension (P direction)

Recommended cut-out diameter is $\Phi 0.33^{+0.05}_0$

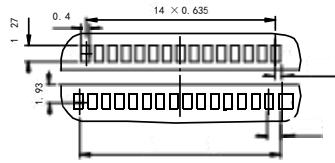


J70(A)-212-×××-121-JC surface mounting (soft) plug solder pad dimensions

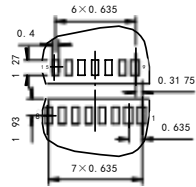
J70 (A) - 212-009-12 1-JC



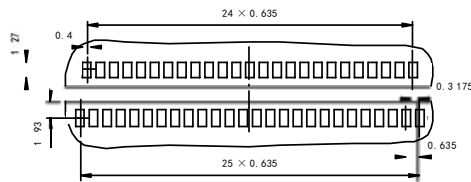
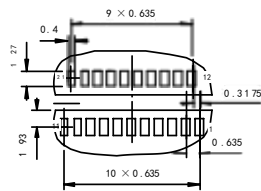
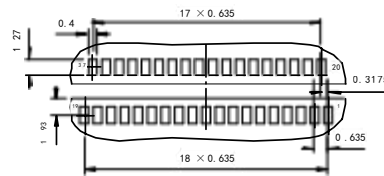
J70 (A) - 212-03 1-12 1-JC



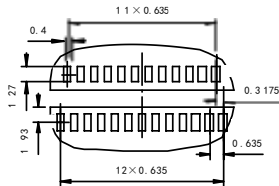
J70 (A) - 212-015-12 1-JC



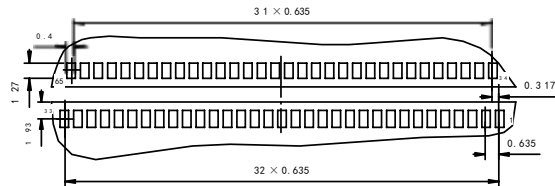
J70 (A) - 2 12-037- 121-JC



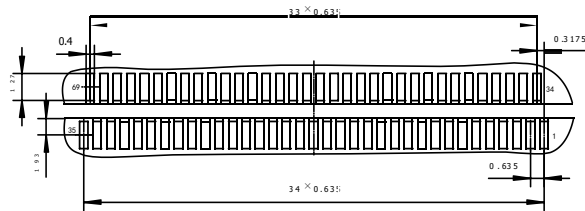
J70 (A) - 2 12- 025- 121 -JC



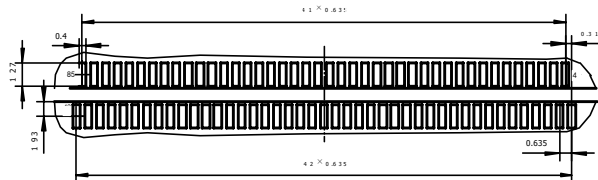
J70 (A) - 2 12-065-1 21-JC



J70 (A) - 212-069- 121-JC

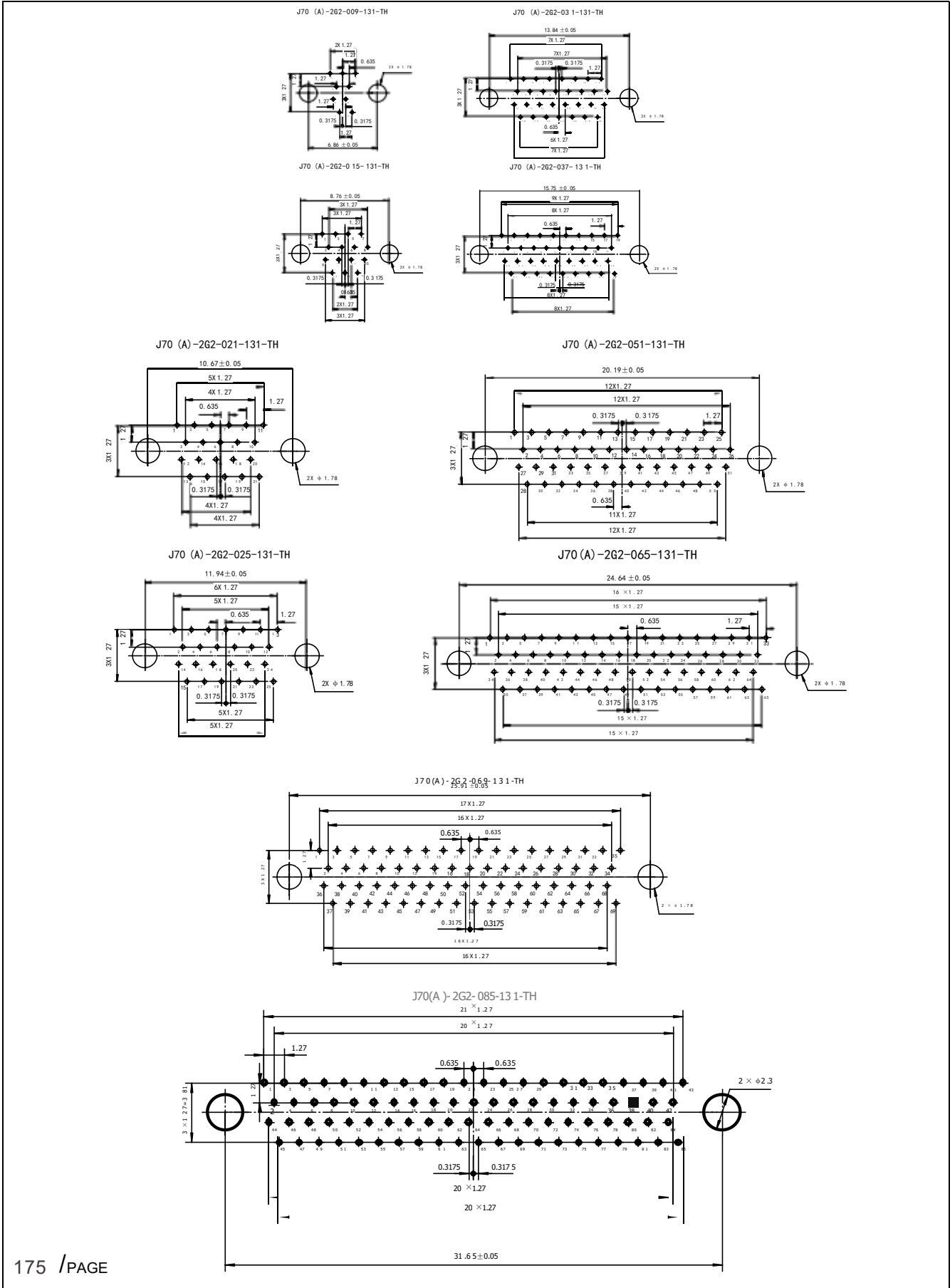


J70 (A) - 2 12-085-121-JC

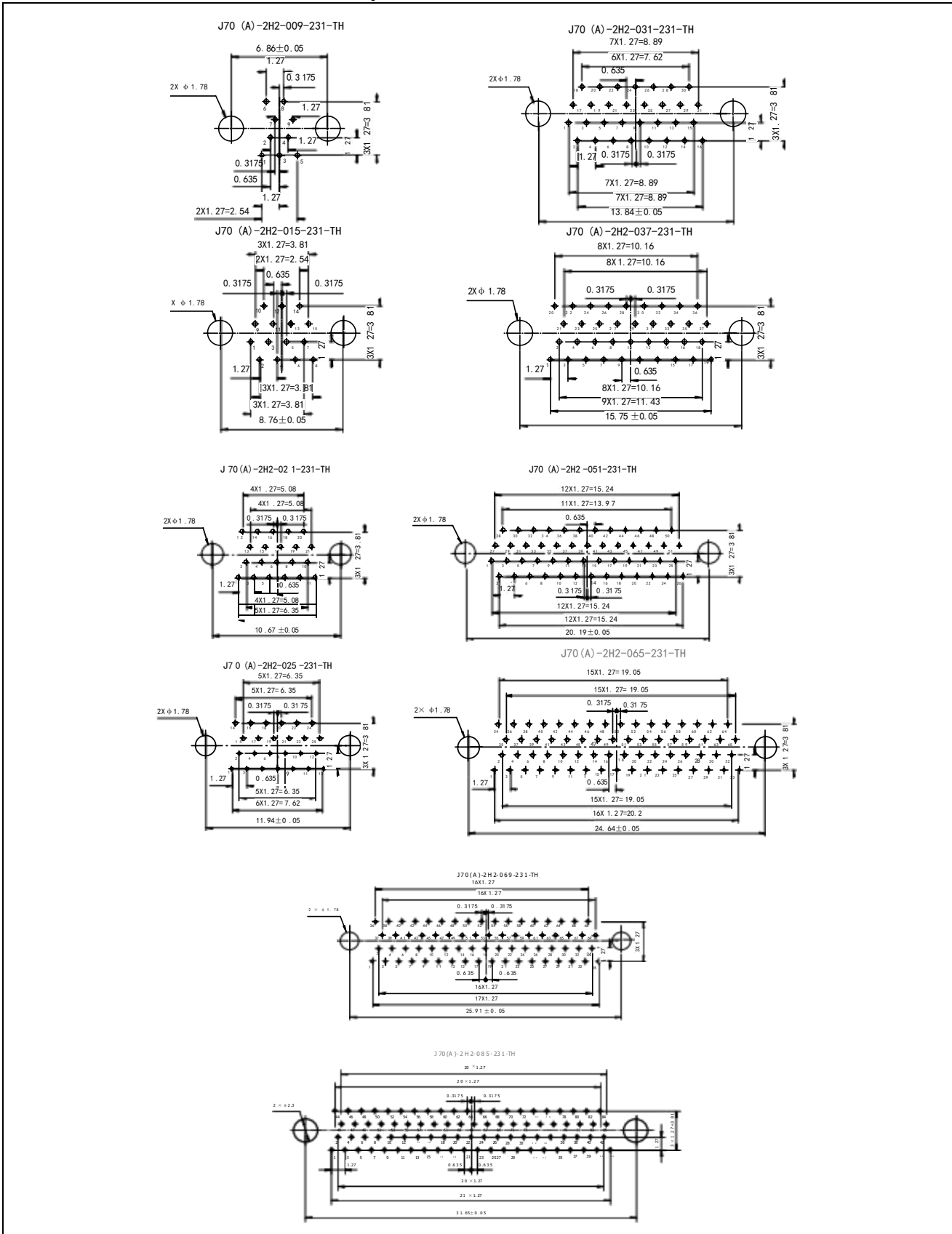


J70(A)-2G2-xxx-131/141/151-TH right-angle PCB mounting plug cut-out dimension (P direction)

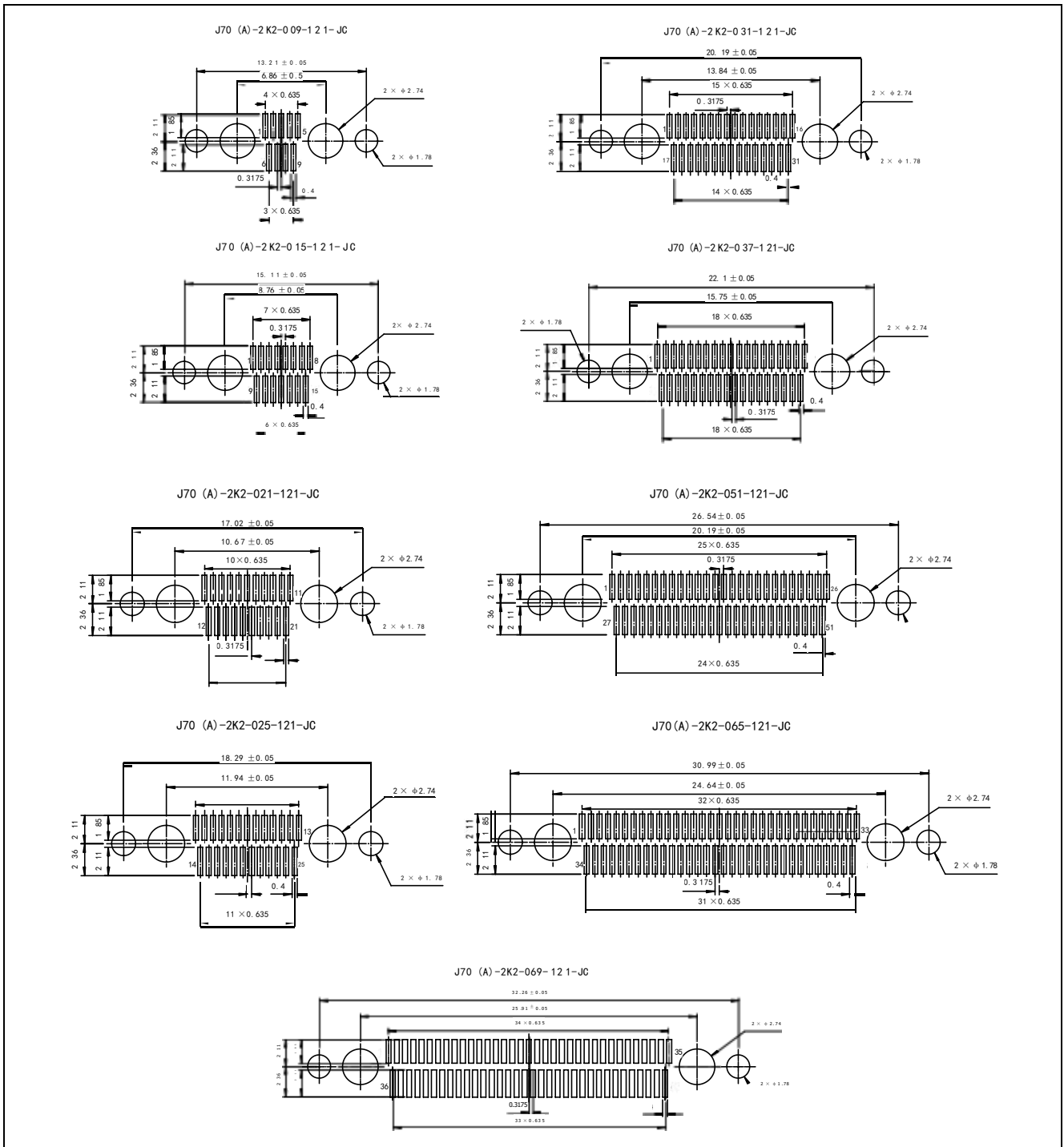
Recommended cut-out diameter is $\Phi 0.33^{+0.05}_0$



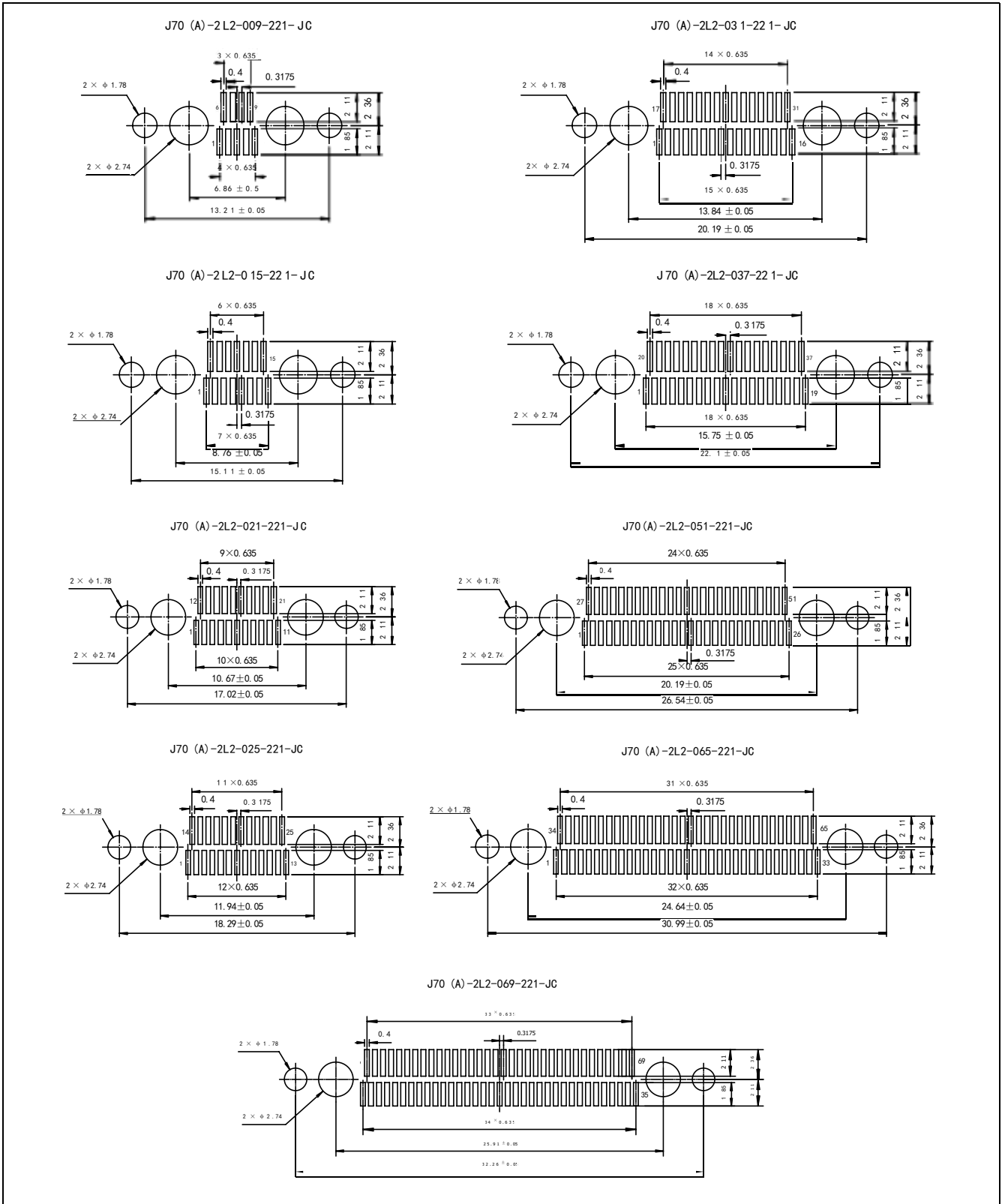
J70(A)-2H2-xxx-231/241/251-TH right-angle PCB mounting receptacle cut-out dimension (P direction)
 Recommended cut-out diameter is $\Phi 0.33^{+0.05}_0$



J70(A)-2K2-xxx-121-JC Vertical table stick plug (with mounting lugs) Recommended size drawing of PCB opening and pad (P direction)



J70(A)-2L2- $\times\times\times$ -221-JC Vertical table stick receptacle(with mounting lugs) Recommended size drawing of PCB opening and pad (P direction)





河南捷科电子科技有限公司

Henan Jetstec Connect Technology Co., Ltd

+86 181 3797 1385

info@jetstec-connect.com

<https://www.jetstec-connect.com/>

Production base: No. 8 Longjiang Road, Shangjie District, Zhengzhou City, Henan Province, China.