



MICRO-D, NANO-D CONNECTOR SPECIFICATION



JETSTEC TECHNOLOGY
CONNECTING SOLUTIONS LEADER

COMPANY PROFILE

ABOUT JETSTEC COMPANY

Henan Jetstec Connect Technology Co.,Ltd.(hereinafter referred to as JESTEC) specialized in the connection solutions of optical, electrical, liquid connection technologies and cable assembly.

JESTEC's products are widely used in aviation, aerospace and military field. JESTEC takes R&D as the leading, adopts the lean production mode of the whole process, whole process and internal vertical integration to provide customers with high-end technology, reliable products, customized solutions and perfect quality assurance. JESTEC ensures the quality of its products while delivering them to customers quickly, on time, conveniently and safely.

JESTEC takes "Always providing professional and reliable connectors" as its mission and is committed to becoming the best interconnection solution provider of every customers.



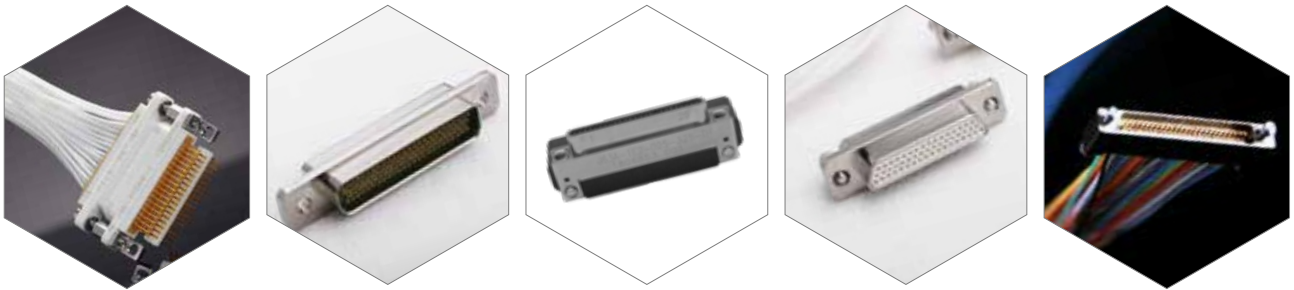
ADVANTAGE

1. Competitive price and quality
2. Professional marketing team
3. Meet the military standard certification
4. Premier after sales service

CATALOG

- 1.J30J series MIL-C-83513 Micro-D connector (1-87 page)
- 2.J63A series MIL-DTL-32139A Nano-D connector (88-144 page)
- 3.J70 series MIL-DTL-32139A Nano-D connector (145-178 page)

PRODUCT PICTURES



APPLICATIONS



AVIATION

WARSHIP



RADAR

PETROLEUM



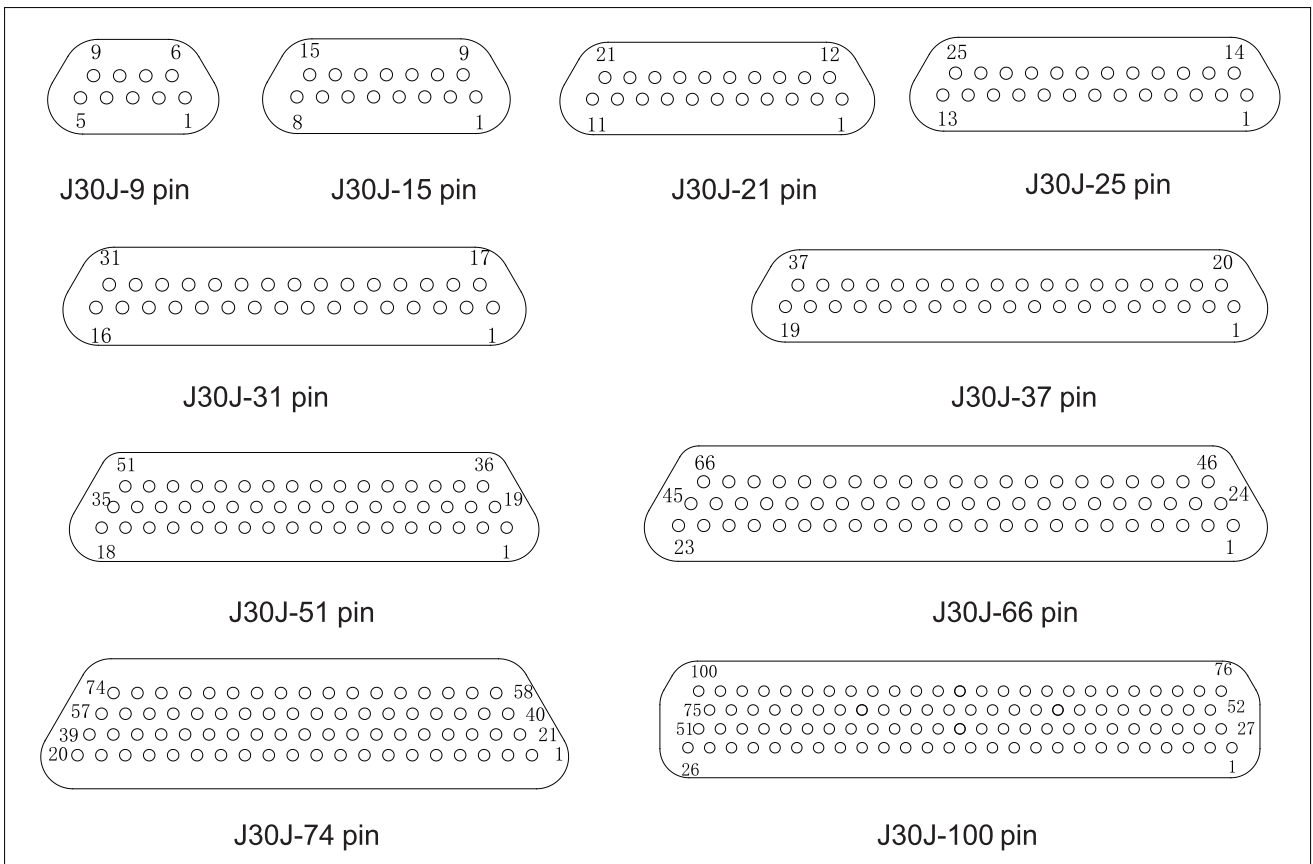
Brief introduction

- Corresponding to American MDM series products.
- Pin number: There are ten specifications of 9, 15, 21, 25, 31, 37, 51, 66, 74, 100 pins.
- Stranded elastic pin (twisted pin) is adopted, with high contact density.
- The cross-sectional area of the conductor core is $0.1\text{mm}^2 \sim 0.15\text{mm}^2$. In addition, 0.07mm^2 wire can also be used, but the product model is special.
- The locking components of this series of products are assembled and supplied with the product according to the order requirements.
- Product performance meets the requirements of GJB2446.

Technical characteristics

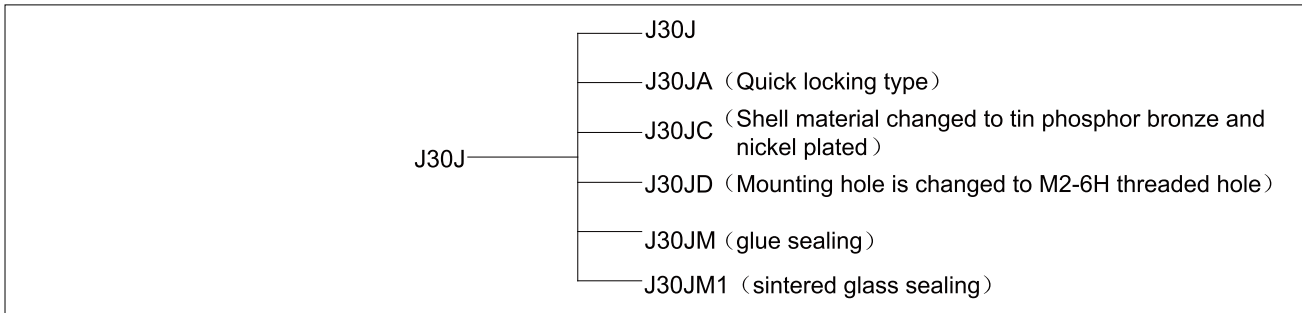
- Operating temperature: $-55^\circ\text{C} \sim +125^\circ\text{C}$
- Vibration: $10\text{Hz} \sim 2000\text{Hz}$ 196m/s^2
- Random vibration: PSD $0.4\text{G}^2/\text{Hz}$
- Shock: 735m/s^2 11ms
- Rated current: 3A
- Contact resistance: $\leq 10\text{M}\Omega$
- Insulation resistance: $\geq 5000\text{M}\Omega$
- Withstanding voltage: 800V
- Mechanical life: 500 times

Contact layout

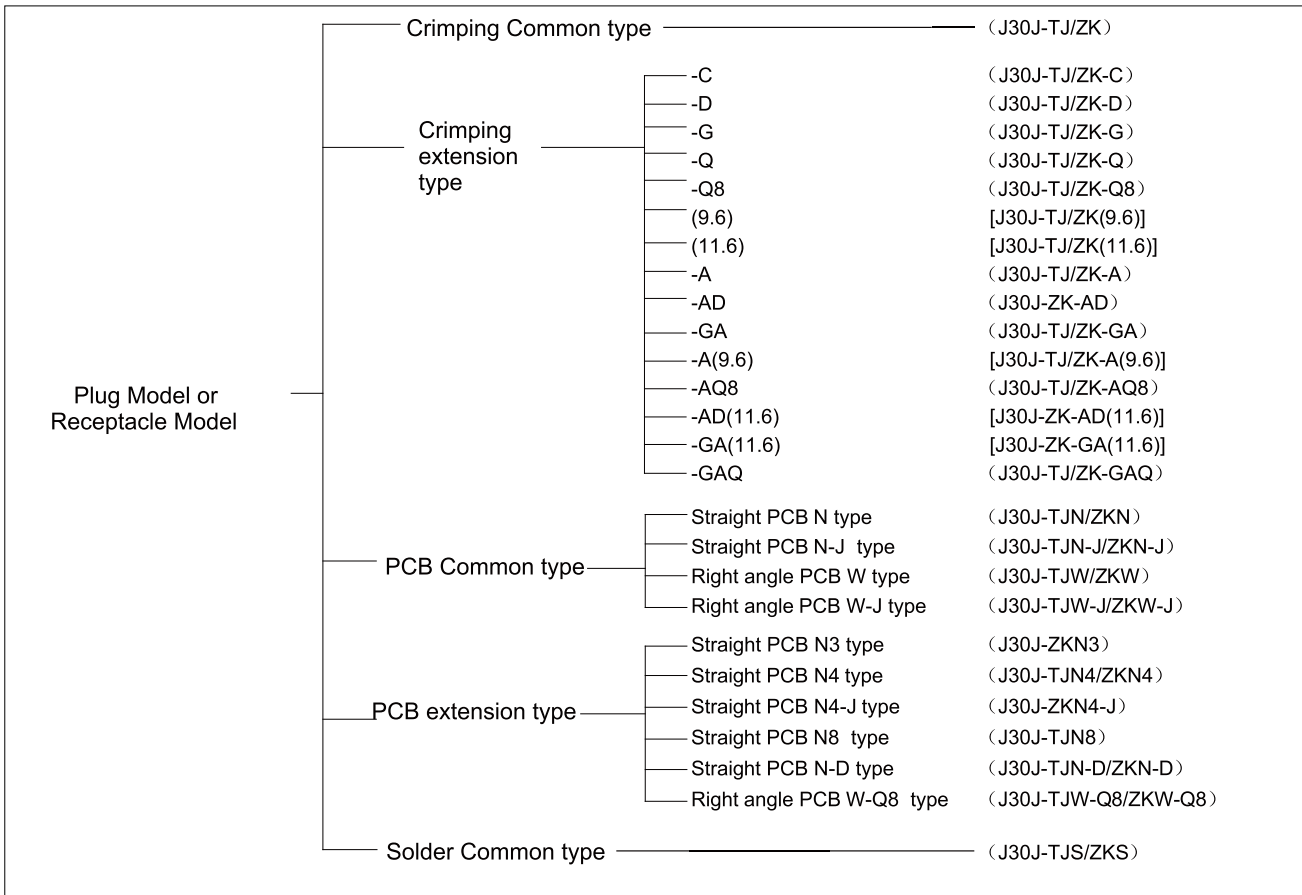


Note: From the butt end of the plug

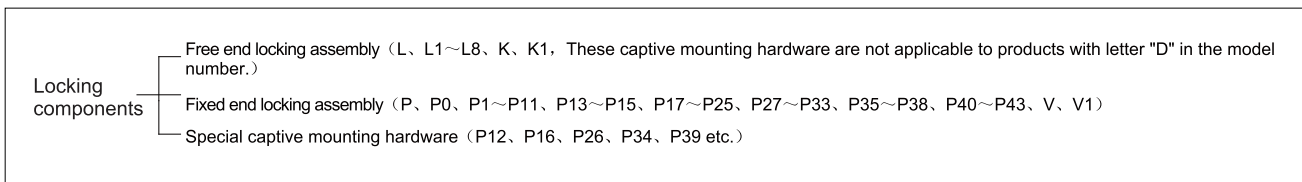
Product Classification Table



Plug (Receptacle) Model Table



Locking components Model Table



Clamp Model Table

Clamp Model	{	A1 Type	— can mate with "Crimping Common type"plug(receptacle) only.
		A2 Type	— can mate with J30J-TJ-Q8/ZK-Q8 plug(receptacle) only.
		A3 Type	— It is the default mate of "Solder Common type" plug (receptacle),also can mate with can mate with "Crimping Common type"plug(receptacle).

Ordering information

$\frac{\text{J30J}}{\text{①}} \quad \frac{\times}{\text{②}} \quad - \quad \frac{\times}{\text{③}} \quad \frac{\text{TJ/ZK}}{\text{④}} \quad \frac{\times}{\text{⑤}} \quad \frac{\times}{\text{⑥}} \quad - \quad \frac{\times}{\text{⑦}} \quad \frac{\times}{\text{⑧}} \quad (\text{Additional information})$

- ① Basic series:
- ② Modified type: No marking letter: normal type
 - A - quick locking type
 - C - The shell material is tin phosphor bronze and nickel plating
 - D - The mounting hole is changed to M2-6H
 - M - glue sealing type
 - M1 - sintered glass sealing
- ③ Contact layout: 9、15、21、25、31、37、51、66、74、100
- ④ Connector type:
 - TJ - plug with pins
 - ZK - receptacle with sockets
 - TJ, ZK are fixed match
- ⑤ Termination Type:
 - No marking letter □ crimping
 - S - soldering
 - N - straight PCB
 - W - right angle PCB
- ⑥ Locking component type: See J30J locking components
- ⑦ Surface coating:
 - No marking letter - Nickel-plated for shell
 - G - Cadmium plating for shell
- ⑧ Basic modification:
 - A - Shielded network cable clamp at the end of the shell
 - C - Used when the product outlet direction is perpendicular to the contact axis
 - D - The receptacle shell flange has anti-rotation grooves on the mating end
 - AD - Combination of Modification A and Modification D
 - Q - The flange of the shell is widened
 - J - PCB grid pattern should be 1.27×2.54

Note: The additional instructions are not part of the order mark. When choosing, please indicate the specifications of the crimped wire, such as cross-sectional area, length and color. If there are special requirements, please provide the connection relationship.

J30J Crimping Common type\J30J-TJ&J30J-ZK

■ Plug

- J30J-9、15、21、25、31、37、51、66、74、100TJ

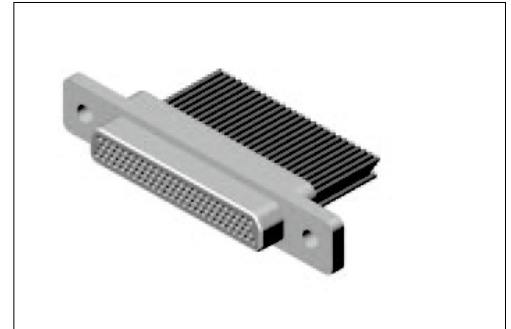
Stereogram



J30J-9TJ



J30J-51TJ



J30J-100TJ

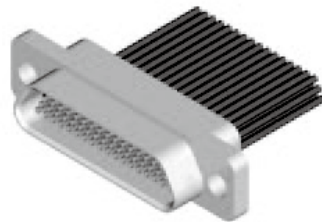
■ Receptacle

- J30J-9、15、21、25、31、37、51、66、74、100ZK

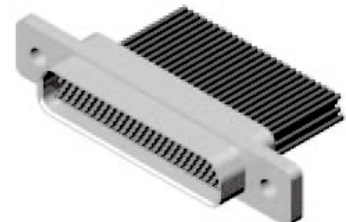
Stereogram



J30J-9ZK

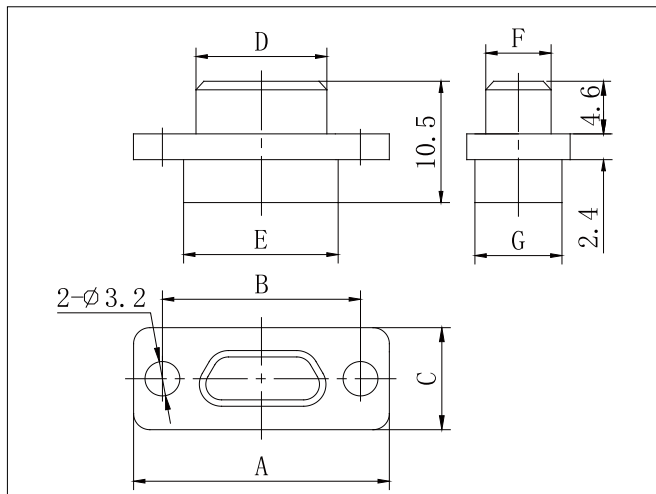


J30J-51ZK



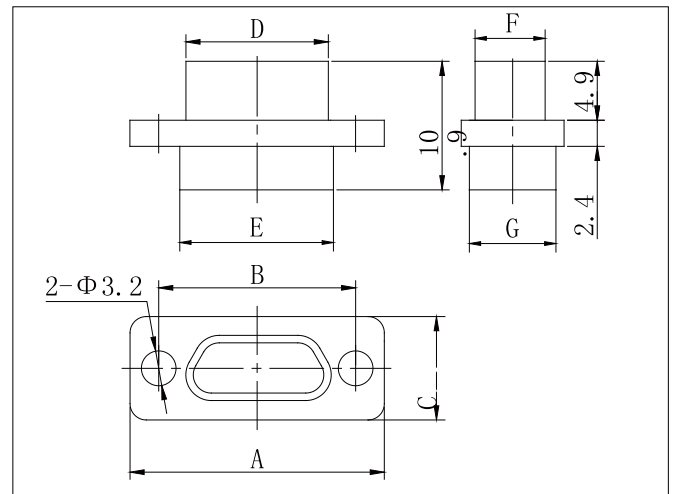
J30J-100ZK

Dimensions



J30J- □ TJ

Dimensions

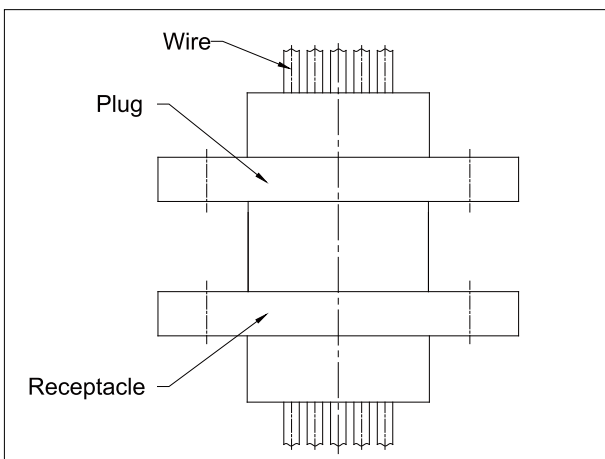


J30J- □ ZK

J30J Crimping Common type\J30J-TJ& J30J-ZK

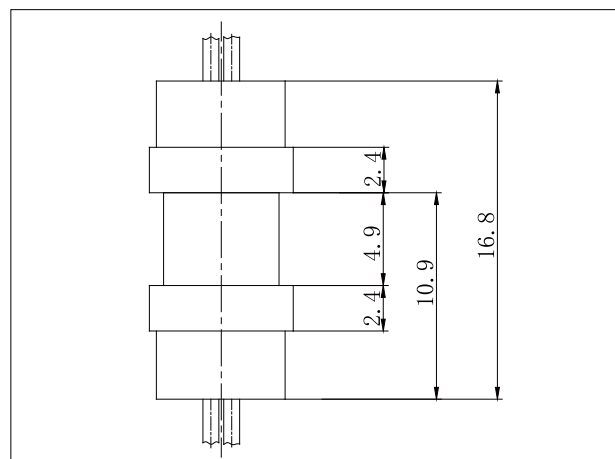
P/N	A	B	C	D	E	F	G
J30J-9TJ	19.6	14.3	7.6	8.3	9.9	4.7	6.8
J30J-15TJ	23.5	18.2	7.6	12.3	13.8	4.7	6.8
J30J-21TJ	27.4	22	7.6	16	17.6	4.7	6.8
J30J-25TJ	29.8	24.5	7.6	18.6	20.2	4.7	6.8
J30J-31TJ	33.6	28.3	7.6	22.4	24	4.7	6.8
J30J-37TJ	37.4	32.2	7.6	26.3	27.8	4.7	6.8
J30J-51TJ	36.4	30.86	8.7	25	26.6	5.8	7.9
J30J-66TJ	42.9	37.3	8.7	31.4	33	5.8	7.9
J30J-74TJ	38.8	33.5	9.7	27.5	29.1	6.8	9.1
J30J-100TJ	54.7	45.7	9.7	35	36.6	6.8	9.1
J30J-9ZK	19.6	14.3	7.6	9.8	9.9	6.1	6.8
J30J-15ZK	23.5	18.2	7.6	13.7	13.8	6.1	6.8
J30J-21ZK	27.4	22	7.6	17.4	17.6	6.1	6.8
J30J-25ZK	29.8	24.5	7.6	20	20.2	6.1	6.8
J30J-31ZK	33.6	28.3	7.6	23.8	24	6.1	6.8
J30J-37ZK	37.4	32.2	7.6	27.7	27.8	6.1	6.8
J30J-51ZK	36.4	30.86	8.7	26.5	26.6	7.2	7.9
J30J-66ZK	42.9	37.3	8.7	32.9	33	7.2	7.9
J30J-74ZK	38.8	33.5	9.7	29	29.1	8.3	9.1
J30J-100ZK	54.7	45.7	9.7	36.6	36.65	8.2	9.1

Outline drawing after docking



front view

Outline drawing after docking



left view

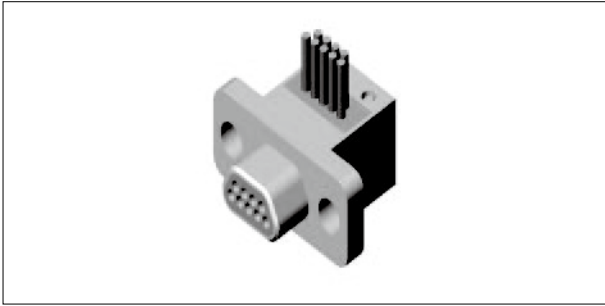
J30J Crimping extension type\J30J-TJ-C& J30J-ZK-C

The crimping type product with the tail wire throwing direction perpendicular to the product's butting direction.

■ Plug

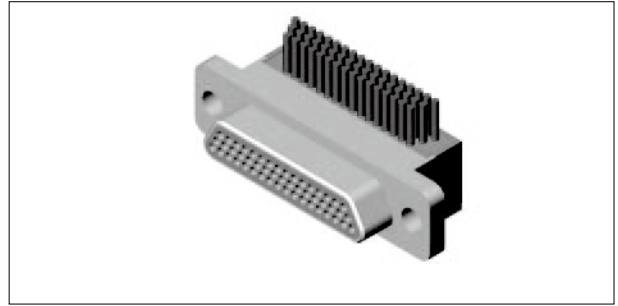
- J30J-9、15、21、25、31、37、51、66、74、100TJ-C

Stereogram



J30J-9TJ-C

Stereogram



J30J-51TJ-C

■ Receptacle

- J30J-9、15、21、25、31、37、51、66、74、100ZK-C

Stereogram



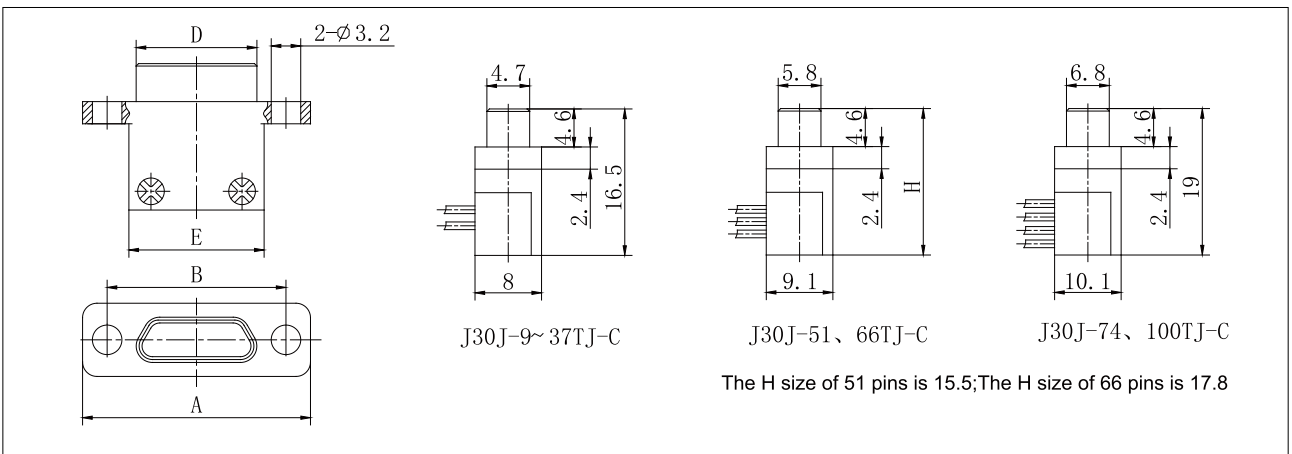
J30J-9ZK-C

Stereogram



J30J-51ZK-C

Outline dimension drawing

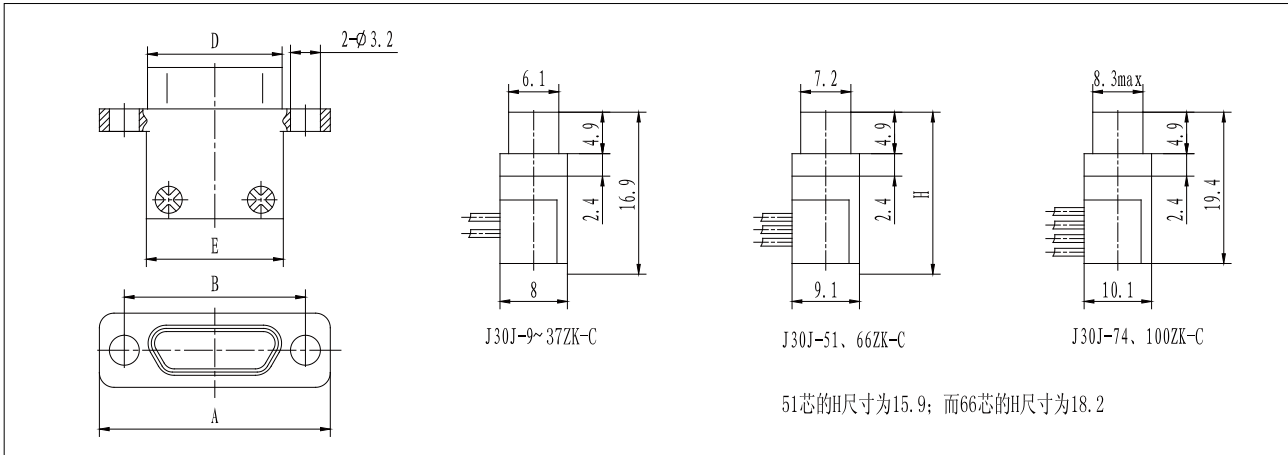


J30J-9 ~ 100TJ-C

Left view of each pin number(plug)

J30J Crimping extension type\J30J-TJ-C & J30J-ZK-C

Outline dimension drawing



J30J-9 ~ 100ZK-C

Left view of each pin number(receptacle)

P/N	A	B	D		E
			TJ-C	ZK-C	
J30J-9TJ / ZK-C	19.6	14.3	8.3	9.8	9.9
J30J-15TJ / ZK-C	23.5	18.2	12.3	13.7	13.8
J30J-21TJ / ZK-C	27.4	22	16	17.4	17.6
J30J-25TJ / ZK-C	29.8	24.5	18.6	20	20.2
J30J-31TJ / ZK-C	33.6	28.3	22.4	23.8	24
J30J-37TJ / ZK-C	37.4	32.2	26.3	27.7	27.8
J30J-51TJ / ZK-C	36.4	30.86	25	26.5	26.6
J30J-66TJ / ZK-C	42.9	37.3	31.4	32.9	33
J30J-74TJ / ZK-C	38.8	33.5	27.5	29	29.1
J30J-100TJ / ZK-C	54.7	45.7	35	36.6	36.6

Note:

The outlet direction of the J30J-TJ-C plug is opposite to that of the J30J-ZK-C receptacle.

J30J Crimping extension type\J30J-TJ-D & J30J-ZK-D

A crimped product with a groove on the flange of the housing to prevent the installation screw from turning.

■ Plug

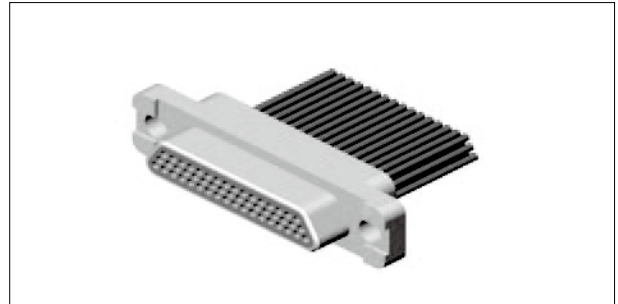
- J30J-9、15、21、25、31、37、51、66、74、100TJ-D

Stereogram



J30J-9TJ-D

Stereogram

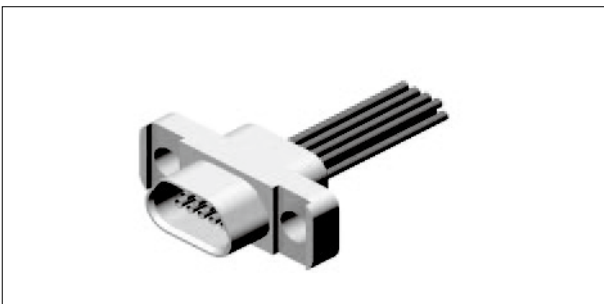


J30J-51TJ-D

■ Receptacle

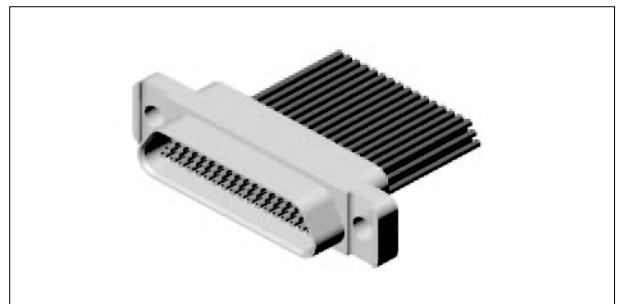
- J30J-9、15、21、25、31、37、51、66、74、100ZK-D

Stereogram



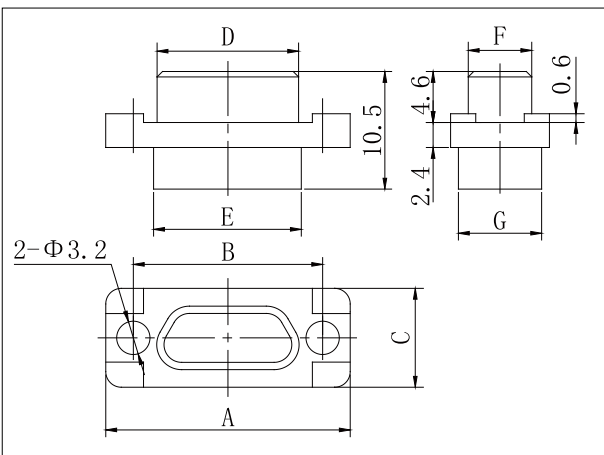
J30J-9ZK-D

Stereogram



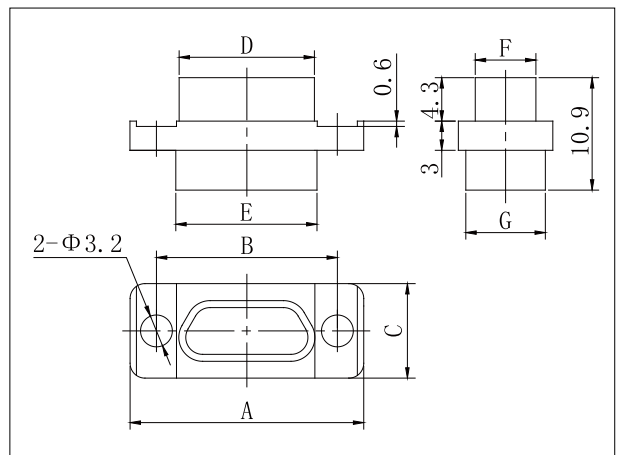
J30J-51ZK-D

Outline dimension drawing



J30J- □ TJ-D

Outline dimension drawing



J30J- □ ZK-D

J30J Crimping extension type\J30J-TJ-D & J30J-ZK-D

P/N	A	B	C	D	E	F	G
J30J-9TJ-D	19.6	14.3	7.6	8.3	9.9	4.7	6.8
J30J-15TJ-D	23.5	18.2	7.6	12.3	13.8	4.7	6.8
J30J-21TJ-D	27.4	22	7.6	16	17.6	4.7	6.8
J30J-25TJ-D	29.8	24.5	7.6	18.6	20.2	4.7	6.8
J30J-31TJ-D	33.6	28.3	7.6	22.4	24	4.7	6.8
J30J-37TJ-D	37.4	32.2	7.6	26.3	27.8	4.7	6.8
J30J-51TJ-D	36.4	30.86	8.7	25	26.6	5.8	7.9
J30J-66TJ-D	42.9	37.3	8.7	31.4	33	5.8	7.9
J30J-74TJ-D	38.8	33.5	9.7	27.5	29.1	6.8	9.1
J30J-100TJ-D	54.7	45.7	9.7	35	36.6	6.8	9.1
J30J-9ZK-D	19.6	14.3	7.6	9.8	9.9	6.1	6.8
J30J-15ZK-D	23.5	18.2	7.6	13.7	13.8	6.1	6.8
J30J-21ZK-D	27.4	22	7.6	17.4	17.6	6.1	6.8
J30J-25ZK-D	29.8	24.5	7.6	20	20.2	6.1	6.8
J30J-31ZK-D	33.6	28.3	7.6	23.8	24	6.1	6.8
J30J-37ZK-D	37.4	32.2	7.6	27.7	27.8	6.1	6.8
J30J-51ZK-D	36.4	30.86	8.7	26.5	26.6	7.2	7.9
J30J-66ZK-D	42.9	37.3	8.7	32.9	33	7.2	7.9
J30J-74ZK-D	38.8	33.5	9.7	29	29.1	8.3	9.1
J30J-100ZK-D	54.7	45.7	9.7	36.6	36.65	8.2	9.1

J30J Crimping extension type\J30J-TJ-G & J30J-ZK-G

On the basis of J30J-TJ/ZK common product, the shell coating is changed to cadmium plating.

■ Plug

■ Receptacle

■ J30J-9, 15, 21, 25, 31, 37, 51, 66, 74, 100TJ-G

■ J30J-9, 15, 21, 25, 31, 37, 51, 66, 74, 100ZK-G

Stereogram



J30J- □ TJ-G

Stereogram



J30J- □ ZK-G

Note: This product is the same as the J30J-TJ/ZK basic type except for the color difference of the appearance. Therefore, the overall dimensions and mounting plate opening dimensions are in accordance with the J30J-TJ/ZK basic type with the corresponding number of pins.

J30J Crimping extension type\J30J-TJ-Q & J30J-ZK-Q

The length and width of the shell flange are increased, the spacing between the mounting holes is increased, and a gasket is provided

■ Plug

- J30J-9、 15、 21、 25、 31、 37、 51、 66、 74、 100TJ-Q

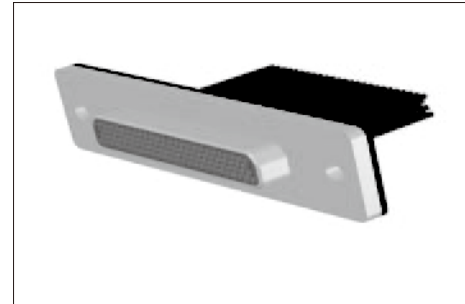
Stereogram



J30J-9TJ-Q



J30J-51TJ-Q

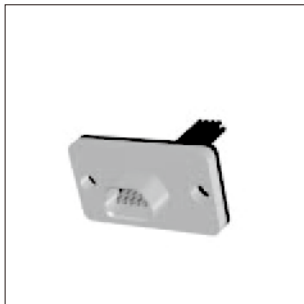


J30J-100TJ-Q

■ Receptacle

- J30J-9、 15、 21、 25、 31、 37、 51、 66、 74、 100ZK-Q

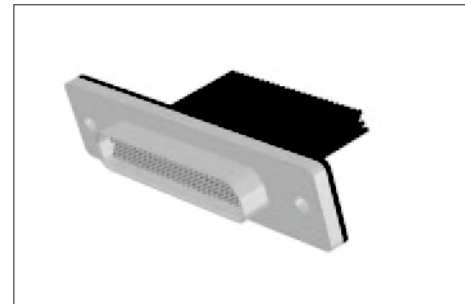
Stereogram



J30J-9ZK-Q

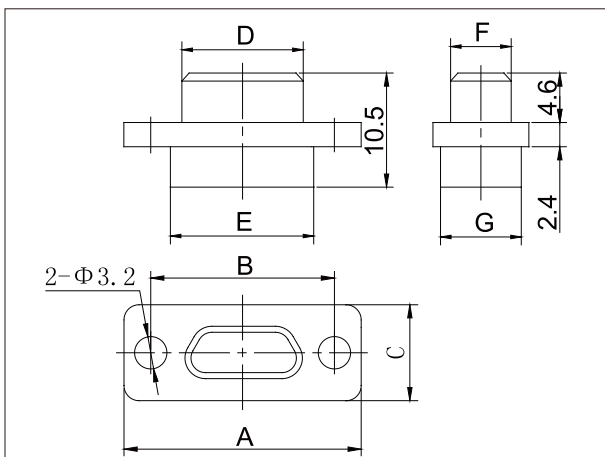


J30J-51ZK-Q

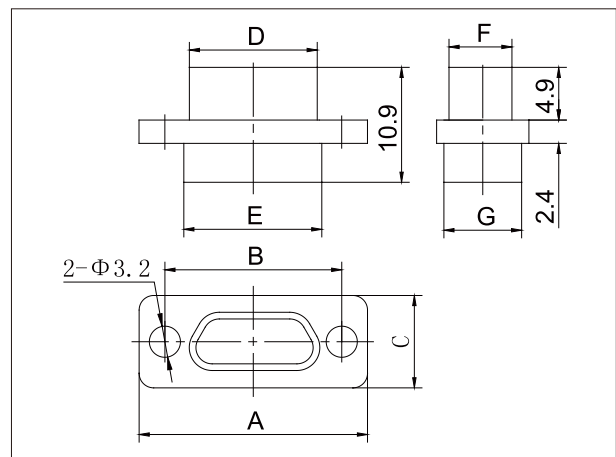


J30J-100ZK-Q

Outline dimension drawing



J30J- □ TJ-Q



J30J- □ ZK-Q

Note: The thickness of the rubber pads (see product perspective) installed on the flange of the product is 1mm.

J30J Crimping extension type\J30J-TJ-Q & J30J-ZK-Q

P/N	A	B	C	D	E	F	G
J30J-9TJ-Q	26	21	14	8.3	9.9	4.7	6.8
J30J-15TJ-Q	29.9	24.9	14	12.3	13.8	4.7	6.8
J30J-21TJ-Q	33.8	28.7	14	16	17.6	4.7	6.8
J30J-25TJ-Q	36.2	31.2	14	18.6	20.2	4.7	6.8
J30J-31TJ-Q	40	35	14	22.4	24	4.7	6.8
J30J-37TJ-Q	43.8	38.9	14	26.3	27.8	4.7	6.8
J30J-51TJ-Q	42.6	37.6	15.2	25	26.6	5.8	7.9
J30J-66TJ-Q	49.3	44	15.2	31.4	33	5.8	7.9
J30J-74TJ-Q	45.2	40.2	16.1	27.5	29.1	6.8	9.1
J30J-100TJ-Q	61.1	52.4	16.1	35	36.6	6.8	9.1
J30J-9ZK-Q	26	21	14	9.8	9.9	6.1	6.8
J30J-15ZK-Q	29.9	24.9	14	13.7	13.8	6.1	6.8
J30J-21ZK-Q	33.8	28.7	14	17.4	17.6	6.1	6.8
J30J-25ZK-Q	36.2	31.2	14	20	20.2	6.1	6.8
J30J-31ZK-Q	40	35	14	23.8	24	6.1	6.8
J30J-37ZK-Q	43.8	38.9	14	27.7	27.8	6.1	6.8
J30J-51ZK-Q	42.6	37.6	15.2	26.5	26.6	7.2	7.9
J30J-66ZK-Q	49.3	44	15.2	32.9	33	7.2	7.9
J30J-74ZK-Q	45.2	40.2	16.1	29	29.1	8.3	9.1
J30J-100ZK-Q	61.1	52.4	16.1	36.6	36.65	8.2	9.1

J30J Crimping extension type J30J-TJ-Q8 & J30J-ZK-Q8

The length, width and spacing of the flanges of the shell are increased on the basis of J30J-TJ / ZK.

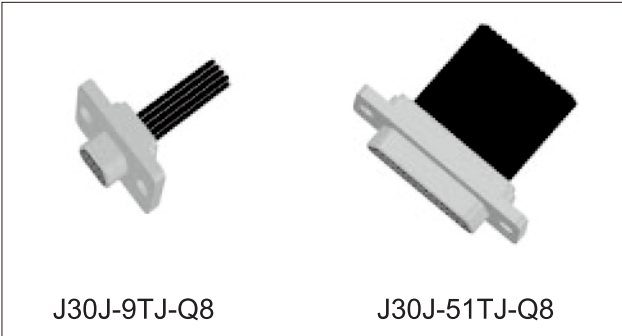
■ Plug

■ J30J-9、15、21、25、31、37、51TJ-Q8

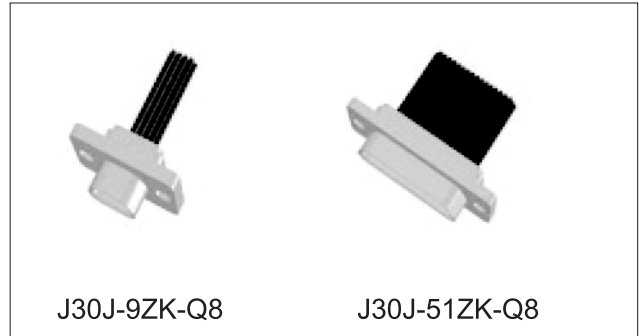
■ Receptacle

■ J30J-9、15、21、25、31、37、51ZK-Q8

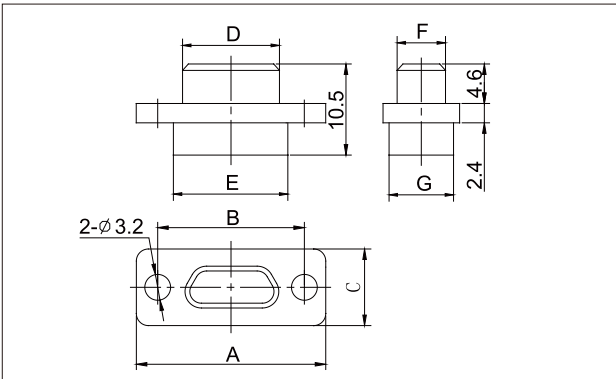
Stereogram



Stereogram

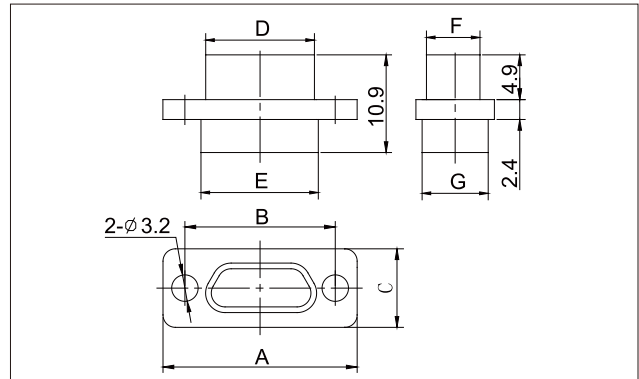


Outline dimension drawing



J30J- □ TJ-Q8

Outline dimension drawing



J30J- □ ZK-Q8

P/N	A	B	C	D		E	F		G
				TJ-Q8	ZK-Q8		TJ-Q8	ZK-Q8	
J30J-9TJ / ZK-Q8	21.4	16.1	11.6	8.3	9.8	11.7	4.7	6.1	6.8
J30J-15TJ / ZK-Q8	25.3	20	11.6	12.3	13.7	15.6	4.7	6.1	6.8
J30J-21TJ / ZK-Q8	29.2	23.8	11.6	16	17.4	19.4	4.7	6.1	6.8
J30J-25TJ / ZK-Q8	31.6	26.3	11.6	18.6	20	22	4.7	6.1	6.8
J30J-31TJ / ZK-Q8	35.4	30.1	11.6	22.4	23.8	25.8	4.7	6.1	6.8
J30J-37TJ / ZK-Q8	39.2	34	11.6	26.3	27.7	29.6	4.7	6.1	6.8
J30J-51TJ / ZK-Q8	38.2	32.6	12.6	25	26.5	28.4	5.8	7.2	7.9

J30J Crimping extension type\J30J-TJ (9.6) & J30J-ZK(9.6) & J30J-TJ (11.6) & J30J-ZK(11.6)

■ Plug

■ J30J-9、15、21、25、31、37TJ (9.6)

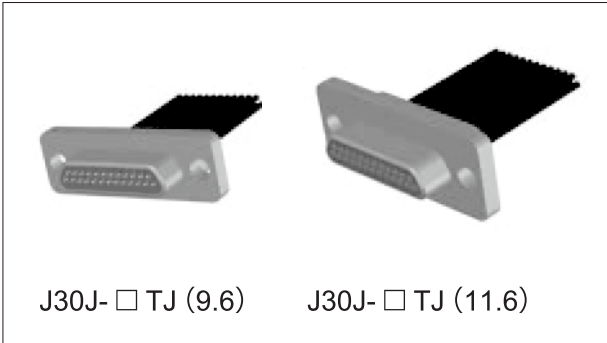
■ J30J-9、15、21、25、31、37TJ (11.6)

■ Receptacle

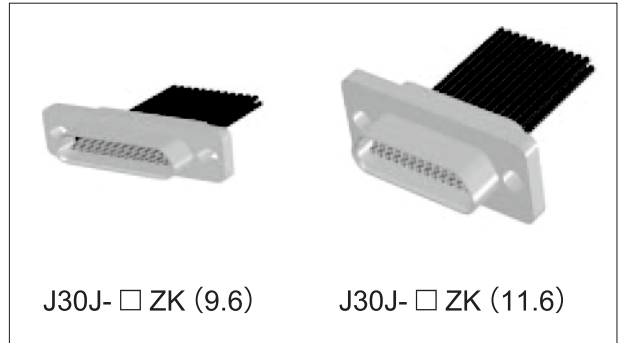
■ J30J-9、15、21、25、31、37ZK (9.6)

■ J30J-9、15、21、25、31、37ZK (11.6)

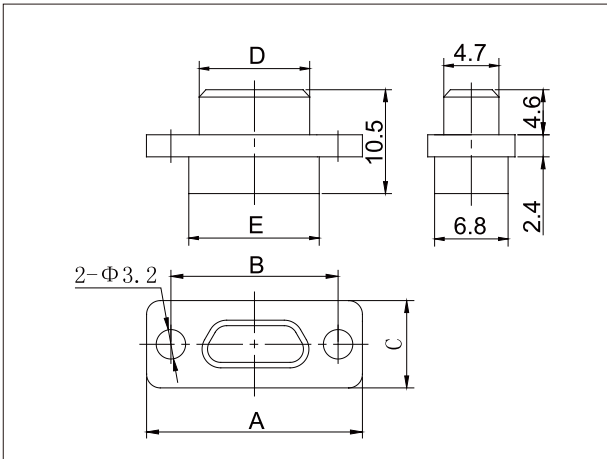
Stereogram



Stereogram

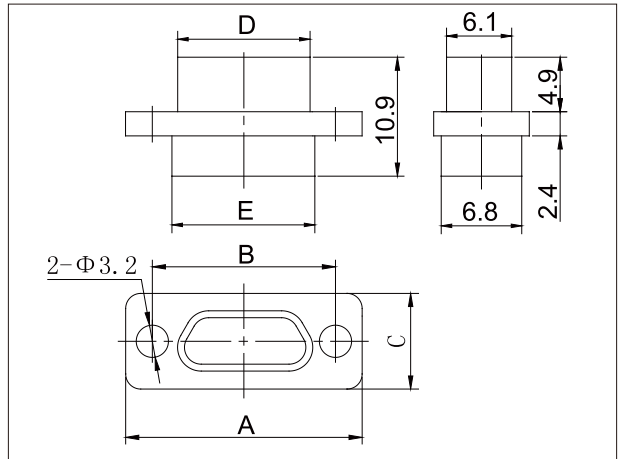


Outline dimension drawing



J30J-TJ (9.6) / J30J-TJ (11.6)

Outline dimension drawing



J30J-ZK (9.6) / J30J-ZK (11.6)

P/N	A	B	C		D		E
			TJ (9.6) ZK (9.6)	TJ (11.6) ZK (11.6)	TJ (9.6) TJ (11.6)	ZK (9.6) ZK (11.6)	
J30J-9TJ (9.6) / TJ (11.6) / ZK (9.6) / ZK (11.6)	19.6	14.3	9.6	11.6	8.3	9.8	9.9
J30J-15TJ (9.6) / TJ (11.6) / ZK (9.6) / ZK (11.6)	23.5	18.2	9.6	11.6	12.3	13.7	13.8
J30J-21TJ (9.6) / TJ (11.6) / ZK (9.6) / ZK (11.6)	27.4	22	9.6	11.6	16	17.4	17.6
J30J-25TJ (9.6) / TJ (11.6) / ZK (9.6) / ZK (11.6)	29.8	24.5	9.6	11.6	18.6	20	20.2
J30J-31TJ (9.6) / TJ (11.6) / ZK (9.6) / ZK (11.6)	33.6	28.3	9.6	11.6	22.4	23.8	24
J30J-37TJ (9.6) / TJ (11.6) / ZK (9.6) / ZK (11.6)	37.4	32.2	9.6	11.6	26.3	27.7	27.8

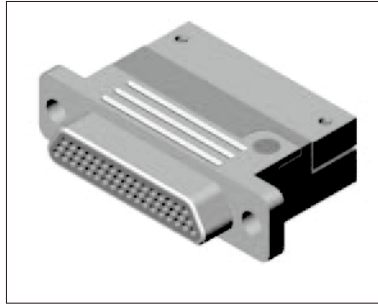
J30J Crimping extension type\J30J-TJ-A & J30J-ZK-A

- Plug
- J30J-9、 15、 21、 25、 31、 37、 51、 66、 74、 100TJ-A

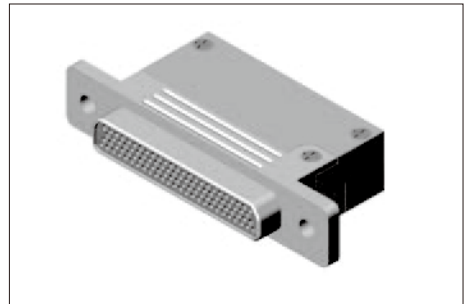
Stereogram



J30J-9TJ-A



J30J-51TJ-A



J30J-100TJ-A

- Receptacle
- J30J-9、 15、 21、 25、 31、 37、 51、 66、 74、 100ZK-A

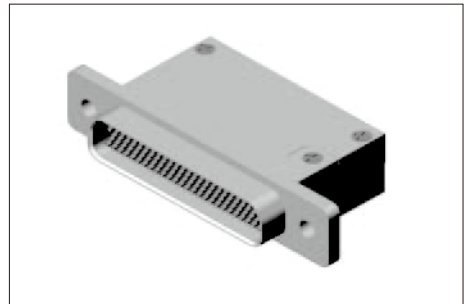
Stereogram



J30J-9ZK-A

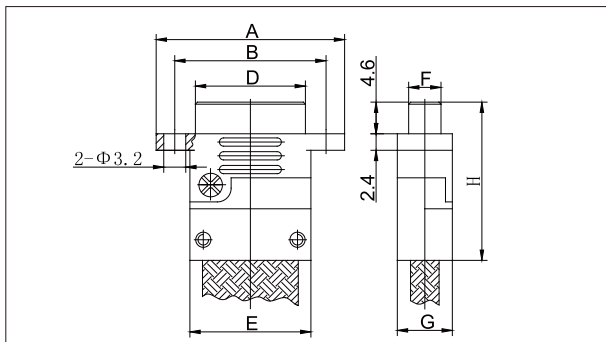


J30J-51ZK-A

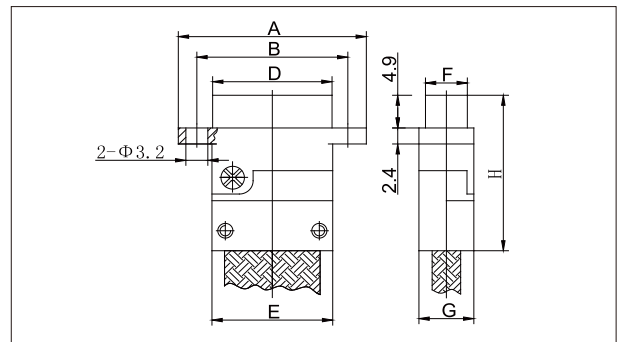


J30J-100ZK-A

Outline dimension drawing



J30J- □ TJ-A

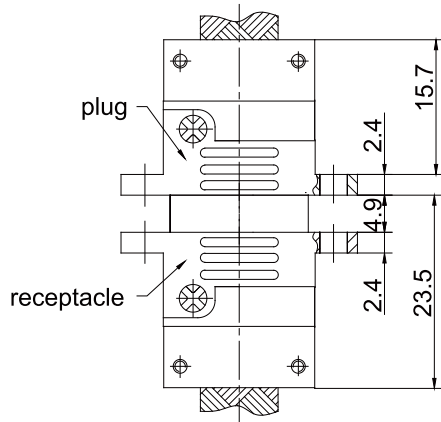


J30J- □ ZK-A

J30J Crimping extension type \J30J-TJ-A & J30J-ZK-A

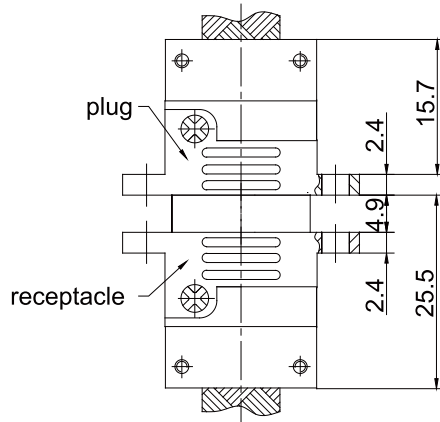
P/N	A	B	D		E	F		G	H	
			TJ-A	ZK-A		TJ-A	ZK-A		TJ-A	ZK-A
J30J-9TJ / ZK-A	19.6	14.3	8.3	9.8	9.9	4.7	6.1	8	23	23.5
J30J-15TJ / ZK-A	23.5	18.2	12.3	13.7	13.8	4.7	6.1	8	23	23.5
J30J-21TJ / ZK-A	27.4	22	16	17.4	17.6	4.7	6.1	8	23	23.5
J30J-25TJ / ZK-A	29.8	24.5	18.6	20	20.2	4.7	6.1	8	23	23.5
J30J-31TJ / ZK-A	33.6	28.3	22.4	23.8	24	4.7	6.1	8	23	23.5
J30J-37TJ / ZK-A	37.4	32.2	26.3	27.7	27.8	4.7	6.1	8	23	23.5
J30J-51TJ / ZK-A	36.4	30.86	25	26.5	26.6	5.8	7.2	9	23	23.5
J30J-66TJ / ZK-A	42.9	37.3	31.4	32.9	33	5.8	7.2	9	23	23.5
J30J-74TJ / ZK-A	38.8	33.5	27.5	29	29.1	6.8	8.3	11	25	25.5
J30J-100TJ / ZK-A	54.7	45.7	35	36.6	36.8	6.8	8.2	11	25	25.5

Outline drawing after docking



J30J-9~66 pin

Outline drawing after docking



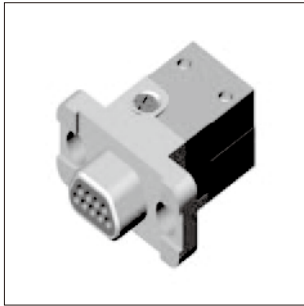
J30J-74~100 pin

J30J Crimping extension type\J30J-TJ-AD & J30J-ZK-AD

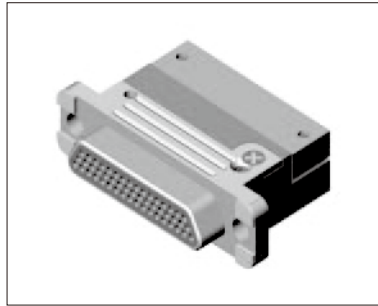
■ Plug

- J30J-9、 15、 21、 25、 31、 37、 51、 66、 74、 100TJ-AD

Stereogram



J30J-9TJ-AD



J30J-51TJ-AD



J30J-100TJ-AD

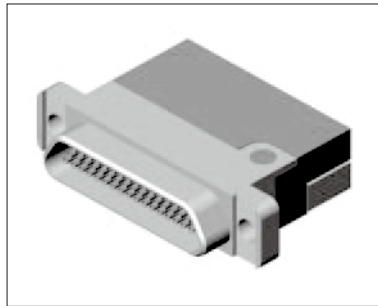
■ Receptacle

- J30J-9、 15、 21、 25、 31、 37、 51、 66、 74、 100ZK-AD

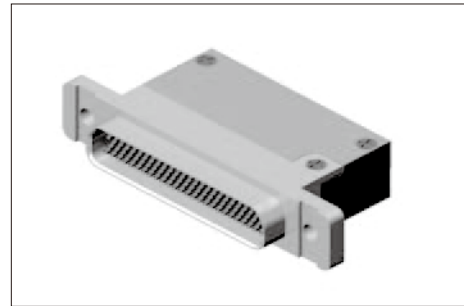
Stereogram



J30J-9ZK-AD

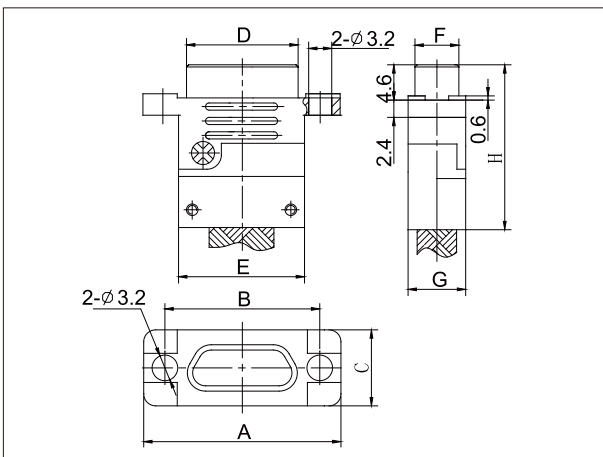


J30J-51ZK-AD

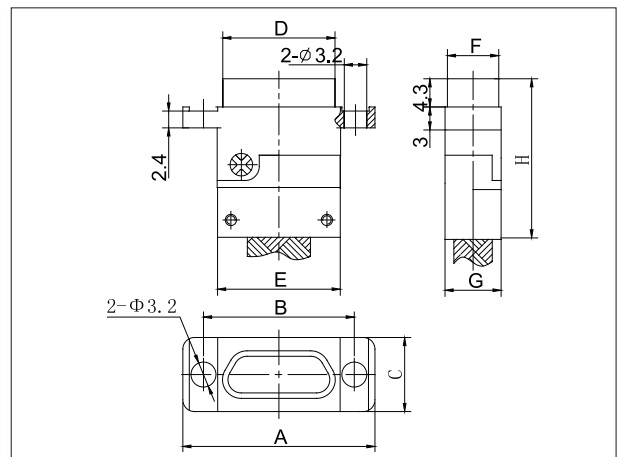


J30J-100ZK-AD

Outline dimension drawing



J30J- □ TJ-AD



J30J- □ ZK-AD

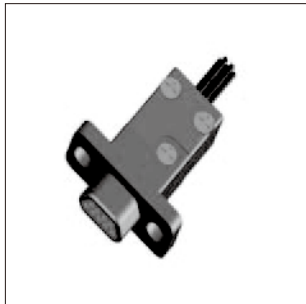
P/N	A	B	D		E	F		G	H	
			TJ-AD	ZK-AD		TJ-AD	ZK-AD		TJ-AD	ZK-AD
J30J-9TJ / ZK-AD	19.6	14.3	8.3	9.8	9.9	4.7	6.1	8	23	23.5
J30J-15TJ / ZK-AD	23.5	18.2	12.3	13.7	13.8	4.7	6.1	8	23	23.5
J30J-21TJ / ZK-AD	27.4	22	16	17.4	17.6	4.7	6.1	8	23	23.5
J30J-25TJ / ZK-AD	29.8	24.5	18.6	20	20.2	4.7	6.1	8	23	23.5
J30J-31TJ / ZK-AD	33.6	28.3	22.4	23.8	24	4.7	6.1	8	23	23.5
J30J-37TJ / ZK-AD	37.4	32.2	26.3	27.7	27.8	4.7	6.1	8	23	23.5
J30J-51TJ / ZK-AD	36.4	30.86	25	26.5	26.6	5.8	7.2	9	23	23.5
J30J-66TJ / ZK-AD	42.9	37.3	31.4	32.9	33	5.8	7.2	9	23	23.5
J30J-74TJ / ZK-AD	38.8	33.5	27.5	29	29.1	6.8	8.3	11	25	25.5
J30J-100TJ / ZK-AD	54.7	45.7	35	36.6	36.8	6.8	8.2	11	25	25.5

J30J Crimping extension type\J30J-TJ-GA & J30J-ZK-GA

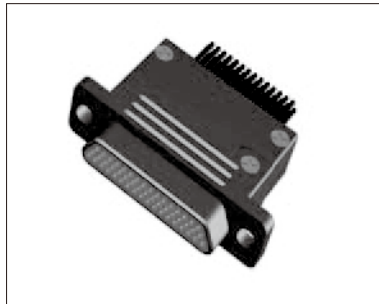
■ Plug

■ J30J-9、15、21、25、31、37、51、66、74、100TJ-GA

Stereogram



J30J-9TJ-GA



J30J-51TJ-GA



J30J-100TJ-GA

■ Receptacle

■ J30J-9、15、21、25、31、37、51、66、74、100ZK-GA

Stereogram



J30J-9ZK-GA

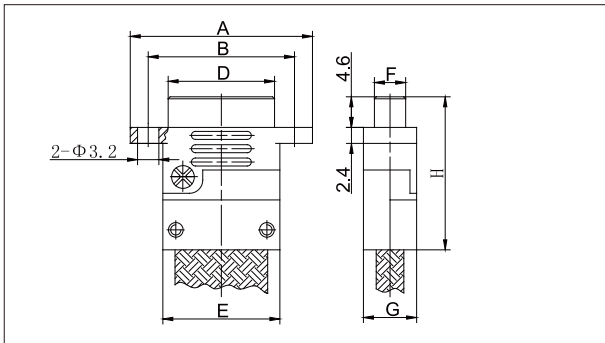


J30J-51ZK-GA



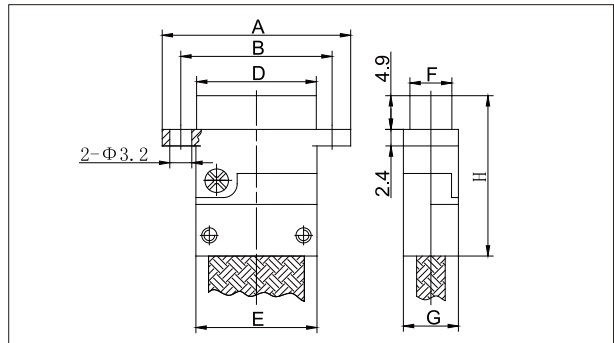
J30J-100ZK-GA

Outline dimension drawing



J30J-9~100TJ-GA

Outline dimension drawing



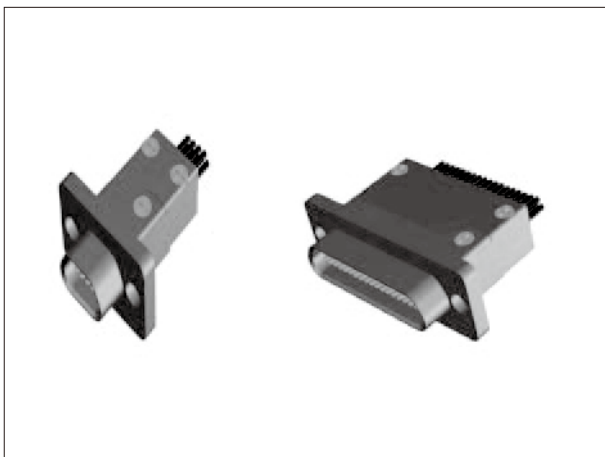
J30J-9~100ZK-GA

P/N	A	B	D		E	F		G	H	
			TJ-GA	ZK-GA		TJ-GA	ZK-GA		TJ-GA	ZK-GA
J30J-9TJ / ZK-GA	19.6	14.3	8.3	9.8	9.9	4.7	6.1	8	23	23.5
J30J-15TJ / ZK-GA	23.5	18.2	12.3	13.7	13.8	4.7	6.1	8	23	23.5
J30J-21TJ / ZK-GA	27.4	22	16	17.4	17.6	4.7	6.1	8	23	23.5
J30J-25TJ / ZK-GA	29.8	24.5	18.6	20	20.2	4.7	6.1	8	23	23.5
J30J-31TJ / ZK-GA	33.6	28.3	22.4	23.8	24	4.7	6.1	8	23	23.5
J30J-37TJ / ZK-GA	37.4	32.2	26.3	27.7	27.8	4.7	6.1	8	23	23.5
J30J-51TJ / ZK-GA	36.4	30.86	25	26.5	26.6	5.8	7.2	9	23	23.5
J30J-66TJ / ZK-GA	42.9	37.3	31.4	32.9	33	5.8	7.2	9	23	23.5
J30J-74TJ / ZK-GA	38.8	33.5	27.5	29	29.1	6.8	8.3	11	25	25.5
J30J-100TJ / ZK-GA	54.7	45.7	35	36.6	36.8	6.8	8.2	11	25	25.5

J30J Crimping extension type\J30J-ZK-GA(11.6)

- Receptacle
- J30J-9、15、21、25、31、37ZK-GA(11.6)

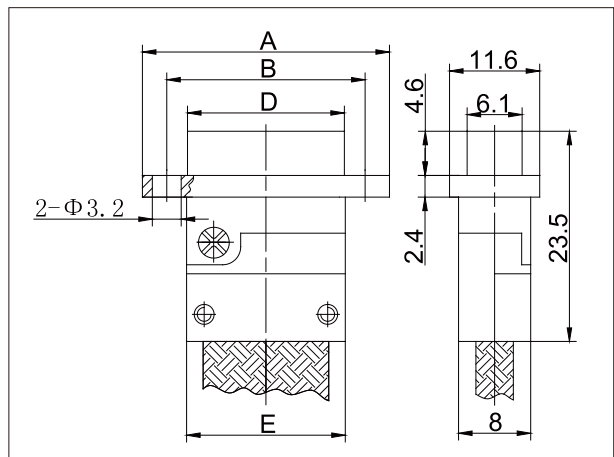
Stereogram



J30J-9ZK-GA(11.6)

J30J-37ZK-GA(11.6)

Outline dimension drawing



J30J-9~37ZK-GA(11.6)

P/N	A	B	D	E
J30J-9ZK-GA (11.6)	19.6	14.3	9.8	9.9
J30J-15ZK-GA (11.6)	23.5	18.2	13.7	13.8
J30J-21ZK-GA (11.6)	27.4	22	17.4	17.6
J30J-25ZK-GA (11.6)	29.8	24.5	20	20.2
J30J-31ZK-GA (11.6)	33.6	28.3	23.8	24
J30J-37ZK-GA (11.6)	37.4	32.2	27.7	27.8

J30J Crimping extension type\J30J-TJ-GQ & J30J-ZK-GQ

■ Plug

■ Receptacle

■ J30J-9、15、21、25、31、37、51、66、74、100TJ-GQ

■ J30J-9、15、21、25、31、37、51、66、74、100ZK-GQ

Stereogram



J30J- □ TJ-GQ

Stereogram



J30J- □ ZK-GQ

Note: The appearance of this product is different from that of the J30J-TJ / ZK-Q type product due to the different plating of the shell. Secondly, the flange interface gasket material is conductive rubber gasket (J30J-TJ / ZK-Q) is silicone rubber). The external dimensions of the product and the opening size of the mounting plate are the same as those of the J30J-TJ / ZK-Q type corresponding to the number of pins.

J30J Crimping extension type\J30J-TJ (0.07) & J30J-ZK (0.07)

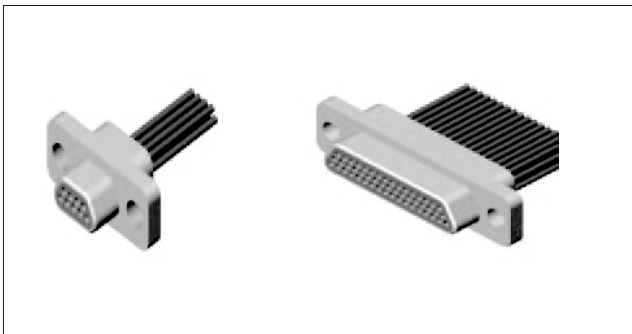
■ Plug

■ Receptacle

■ J30J-9、15、21、25、31、37、51、66、74、100TJ(0.07)

■ J30J-9、15、21、25、31、37、51、66、74、100ZK(0.07)

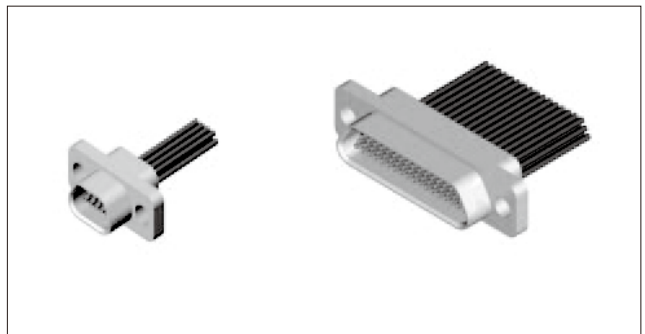
Stereogram



J30J-9TJ(0.07)

J30J-51TJ(0.07)

Stereogram



J30J-9ZK(0.07)

J30J-51ZK(0.07)

Note: The external dimensions of this product are the same as the J30J-TJ / ZK basic product, the only difference is that the contact parts of this product are crimped conductors with a core cross-sectional area of 0.07mm²

J30J Crimping extension type J30J-TJ-A (9.6) & J30J-ZK-A (9.6)

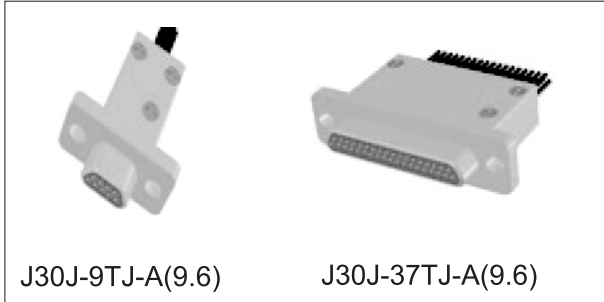
■ Plug

■ J30J-9、15、21、25、31、37TJ-A(9.6)

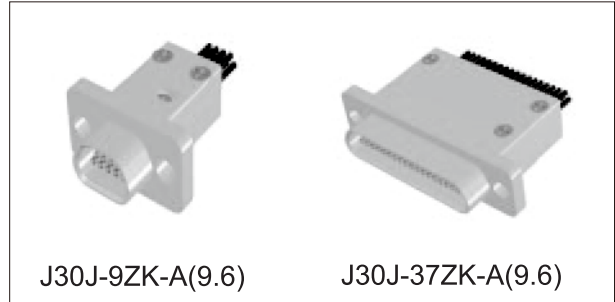
■ Receptacle

■ J30J-9、15、21、25、31、37ZK-A(9.6)

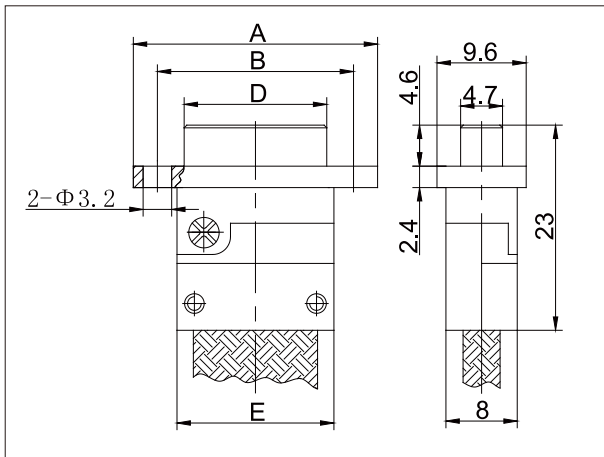
Stereogram



Stereogram

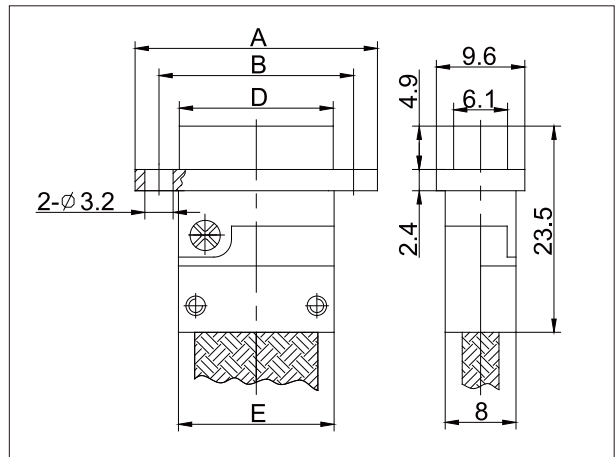


Outline dimension drawing



J30J-9~37TJ-A(9.6)

Outline dimension drawing



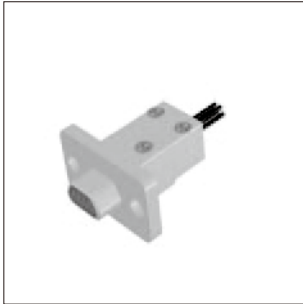
J30J-9~37ZK-A(9.6)

P/N	A	B	D		E
			TJ-A(9.6)	ZK-A(9.6)	
J30J-9TJ / ZK-A (9.6)	19.6	14.3	8.3	9.8	9.9
J30J-15TJ / ZK-A (9.6)	23.5	18.2	12.3	13.7	13.8
J30J-21TJ / ZK-A (9.6)	27.4	22	16	17.4	17.6
J30J-25TJ / ZK-A (9.6)	29.8	24.5	18.6	20	20.2
J30J-31TJ / ZK-A (9.6)	33.6	28.3	22.4	23.8	24
J30J-37TJ / ZK-A (9.6)	37.4	32.2	26.3	27.7	27.8

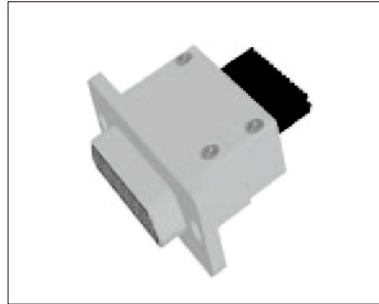
J30J Crimping extension type\J30J-TJ-AQ8 & J30J-ZK-AQ8

- Plug
- J30J-9、15、21、25、31、37、51、74、100TJ-AQ8

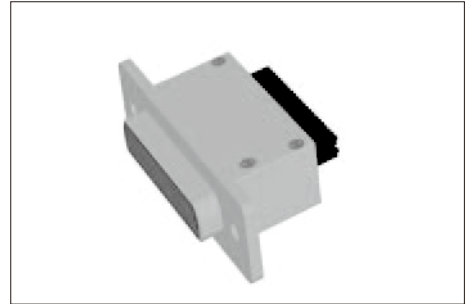
Stereogram



J30J-9TJ-AQ8



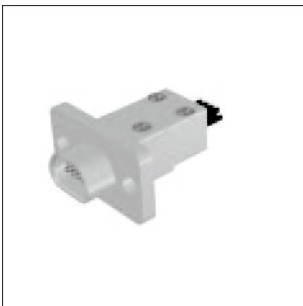
J30J-51TJ-AQ8



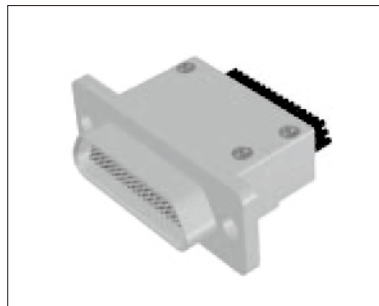
J30J-100TJ-AQ8

- Receptacle
- J30J-9、15、21、25、31、37、51、74、100ZK-AQ8

Stereogram



J30J-9ZK-AQ8

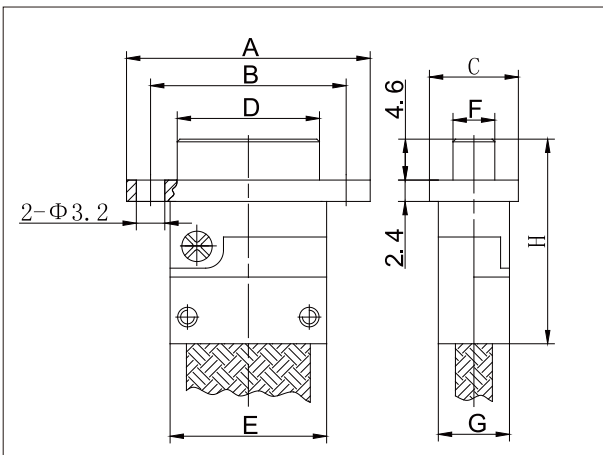


J30J-51ZK-AQ8



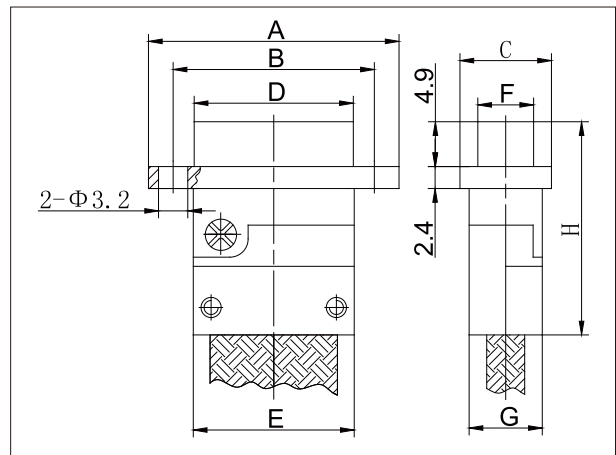
J30J-100ZK-AQ8

Outline dimension drawing



J30J-9~100TJ-AQ8

Outline dimension drawing



J30J-9~100ZK-AQ8

J30J Crimping extension type\J30J-TJ-AQ8 & J30J-ZK-AQ8

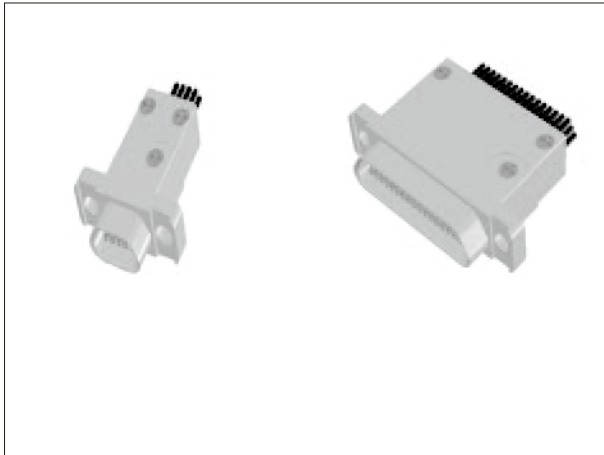
P/N	A	B	C	D		E	F		G	H	
				TJ-AQ8	ZK-AQ8		TJ-AQ8	ZK-AQ8		TJ-AQ8	ZK-AQ8
J30J-9TJ / ZK-AQ8	21.4	16.1	11.6	8.3	9.8	9.9	4.7	6.1	8	23	23.5
J30J-15TJ / ZK-AQ8	25.3	20	11.6	12.3	13.7	13.8	4.7	6.1	8	23	23.5
J30J-21TJ / ZK-AQ8	29.2	23.8	11.6	16	17.4	17.6	4.7	6.1	8	23	23.5
J30J-25TJ / ZK-AQ8	31.6	26.3	11.6	18.6	20	20.2	4.7	6.1	8	23	23.5
J30J-31TJ / ZK-AQ8	35.4	30.1	11.6	22.4	23.8	24	4.7	6.1	8	23	23.5
J30J-37TJ / ZK-AQ8	39.2	34	11.6	26.3	27.7	27.8	4.7	6.1	8	23	23.5
J30J-51TJ / ZK-AQ8	38.2	32.6	12.6	25	26.5	26.6	5.8	7.2	9	23	23.5
J30J-74TJ / ZK-AQ8	40.6	35.3	13.8	27.5	29	29.1	6.8	8.3	11	25	25.5
J30J-100TJ / ZK-AQ8	56.5	47.5	13.8	35	36.6	36.8	6.8	8.2	11	25	25.5

J30J Crimping extension type\J30J-ZK-AD(11.6)

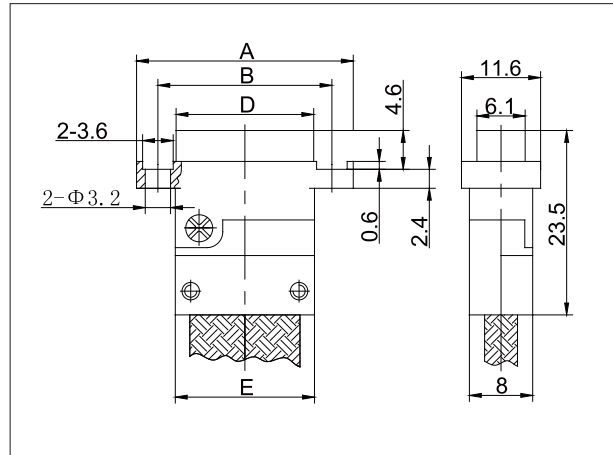
■ Receptacle

■ J30J-9、15、21、25、31、37ZK-AD(11.6)

Stereogram



Stereogram



J30J-9ZK-AD(11.6) J30J-37ZK-AD(11.6)

J30J-9~37ZK-AD(11.6)

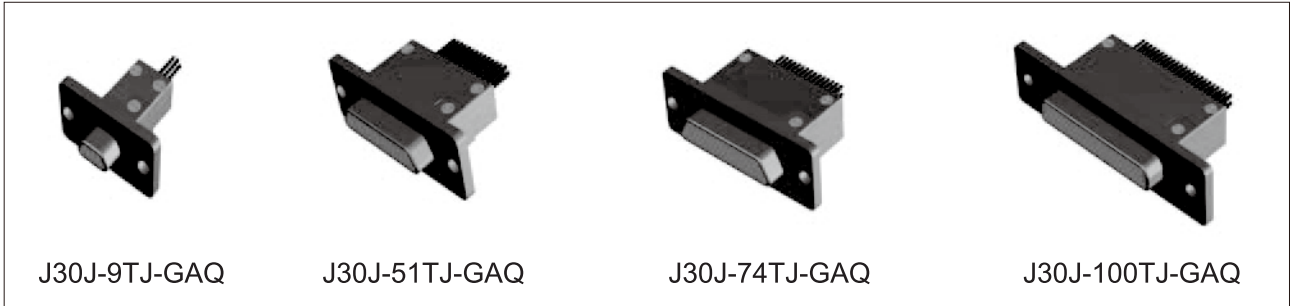
P/N	A	B	D	E
J30J-9ZK-AD (11.6)	19.6	14.3	9.8	9.9
J30J-15ZK-AD (11.6)	23.5	18.2	13.7	13.8
J30J-21ZK-AD (11.6)	27.4	22	17.4	17.6
J30J-25 ZK-AD (11.6)	29.8	24.5	20	20.2
J30J-31ZK-AD (11.6)	33.6	28.3	23.8	24
J30J-37 ZK-AD (11.6)	37.4	32.2	27.7	27.8

J30J Crimping extension type\J30J-TJ-GAQ & J30J-ZK-GAQ

■ Plug

■ J30J-9、15、21、25、31、37、51、66、74、100TJ-GAQ

Stereogram



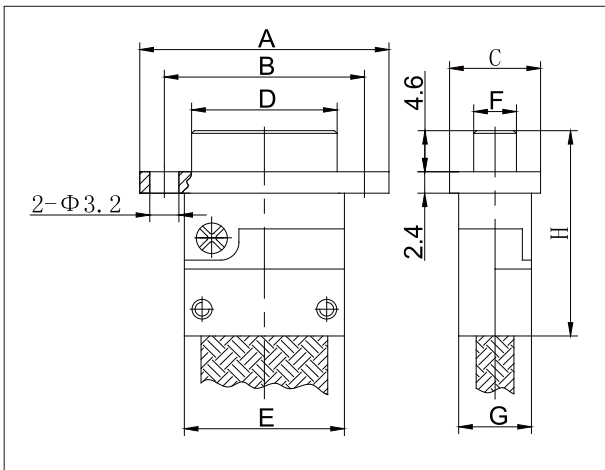
■ Receptacle

■ J30J-9、15、21、25、31、37、51、66、74、100ZK-GAQ

Stereogram

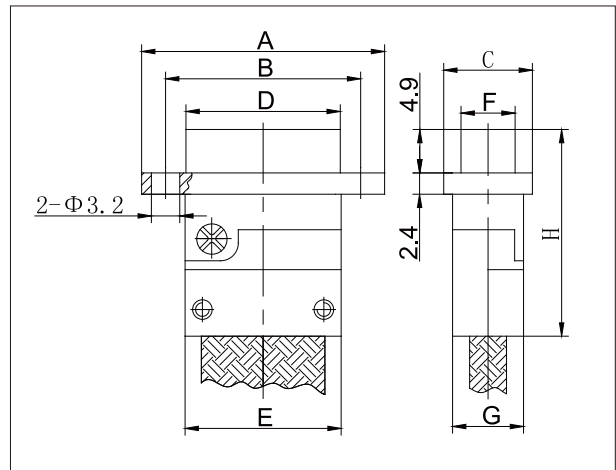


Outline dimension drawing



J30J-9~100TJ-GAQ

Outline dimension drawing



J30J-9~100ZK-GAQ

P/N	A	B	C	D		E	F		G	H	
				TJ-GAQ	ZK-GAQ		TJ-GAQ	ZK-GAQ		TJ-GAQ	ZK-GAQ
J30J-9TJ / ZK-GAQ	26	21	14	8.3	9.8	9.9	4.7	6.1	8	23	23.5
J30J-15TJ / ZK-GAQ	29.9	24.9	14	12.3	13.7	13.8	4.7	6.1	8	23	23.5
J30J-21TJ / ZK-GAQ	33.8	28.7	14	16	17.4	17.6	4.7	6.1	8	23	23.5
J30J-25TJ / ZK-GAQ	36.2	31.2	14	18.6	20	20.2	4.7	6.1	8	23	23.5
J30J-31TJ / ZK-GAQ	40	35	14	22.4	23.8	24	4.7	6.1	8	23	23.5
J30J-37TJ / ZK-GAQ	43.8	38.9	14	26.3	27.7	27.8	4.7	6.1	8	23	23.5
J30J-51TJ / ZK-GAQ	42.6	37.6	15.2	25	26.5	26.6	5.8	7.2	9	23	23.5
J30J-66TJ / ZK-GAQ	49.3	44	15.2	31.4	32.9	33	5.8	7.2	9	23	23.5
J30J-74TJ / ZK-GAQ	45.2	40.2	16.1	27.5	29	29.1	6.8	8.3	11	25	25.5
J30J-100TJ / ZK-GAQ	61.1	52.4	16.1	35	36.6	36.8	6.8	8.2	11	25	25.5

J30J PCB Common type J30J Straight PCB N type

The connection between the end of the contact and the PCB is straight type, and the grid size is 2.54×2.54.

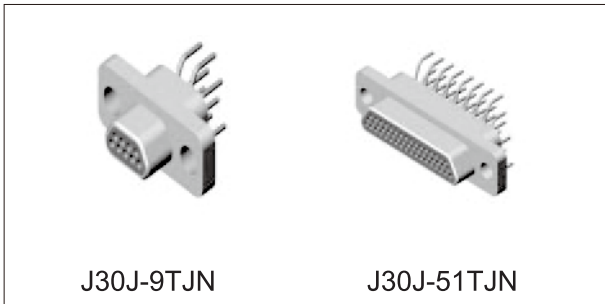
■ Plug

■ J30J-9、15、21、25、31、37、51、66TJN

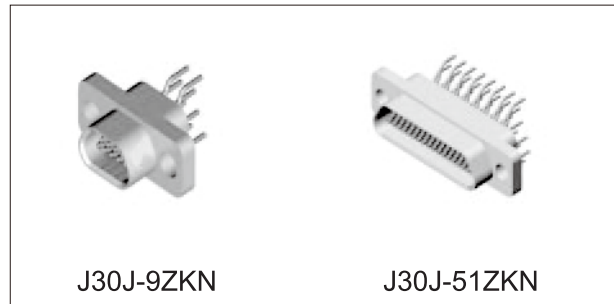
■ Receptacle

■ J30J-9、15、21、25、31、37、51、66ZKN

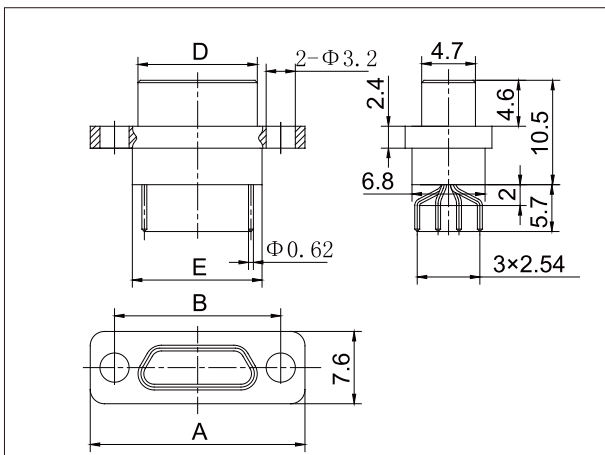
Stereogram



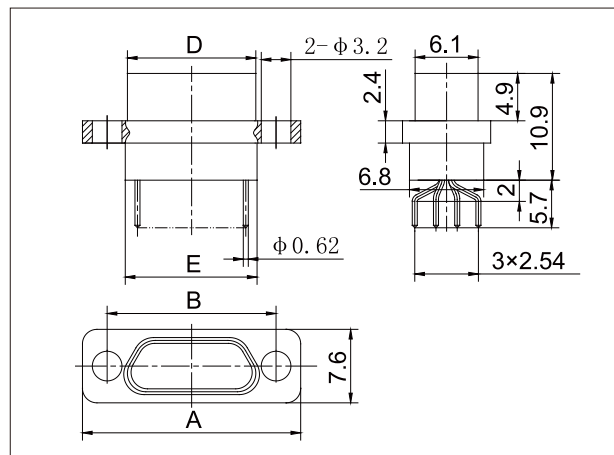
Stereogram



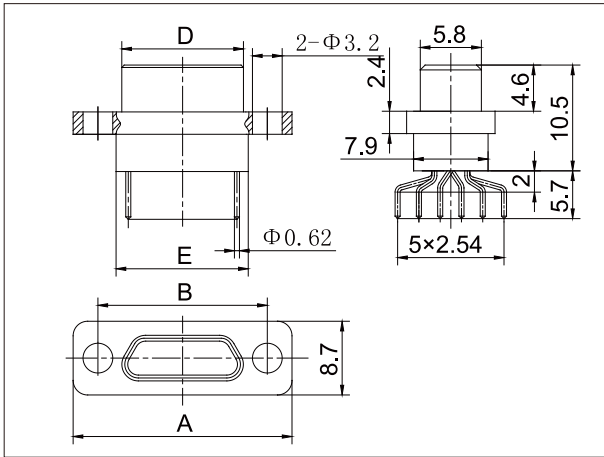
Outline dimension drawing



Outline dimension drawing

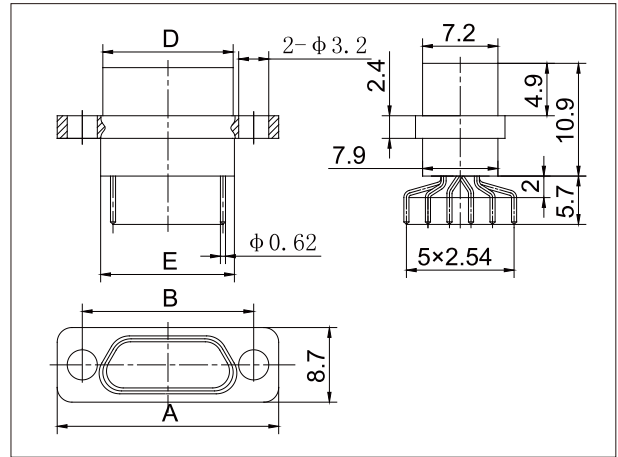


Outline dimension drawing



J30J-51、66TJN

Outline dimension drawing



J30J-51、66ZKN

P/N	A	B	D		E
J30J-9TJN / ZKN	19.6	14.3	8.3 (TJN)	9.8 (ZKN)	9.9
J30J-15TJN / ZKN	23.5	18.2	12.3 (TJN)	13.7 (ZKN)	13.8
J30J-21TJN / ZKN	27.4	22	16 (TJN)	17.4 (ZKN)	17.6
J30J-25TJN / ZKN	29.8	24.5	18.6 (TJN)	20 (ZKN)	20.2
J30J-31TJN / ZKN	33.6	28.3	22.4 (TJN)	23.8 (ZKN)	24
J30J-37TJN / ZKN	37.4	32.2	26.3 (TJN)	27.7 (ZKN)	27.8
J30J-51TJN / ZKN	36.4	30.86	25 (TJN)	26.5 (ZKN)	26.6
J30J-66TJN / ZKN	42.9	37.3	31.4 (TJN)	32.9 (ZKN)	33

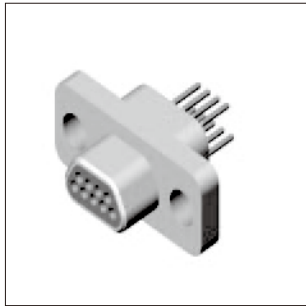
J30J PCB Common type \ J30J Straight PCB N-J type

The connection between the end of the contact and the PCB is straight type, and the grid size is 1.27 × 2.54

■ Plug

- J30J-9、15、21、25、31、37、51、66、74、100TJN-J

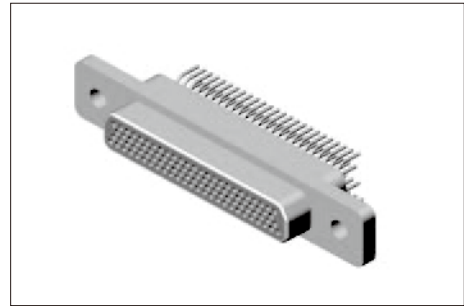
Stereogram



J30J-9TJN-J



J30J-51TJN-J

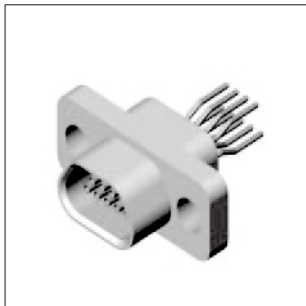


J30J-100TJN-J

■ Receptacle

- J30J-9、15、21、25、31、37、51、66、74、100ZKN-J

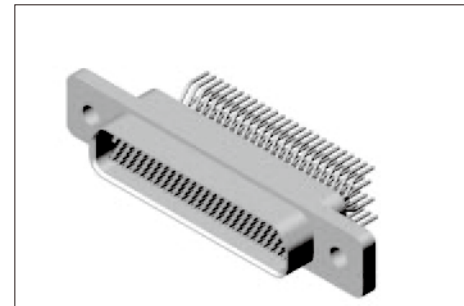
Stereogram



J30J-9ZKN-J

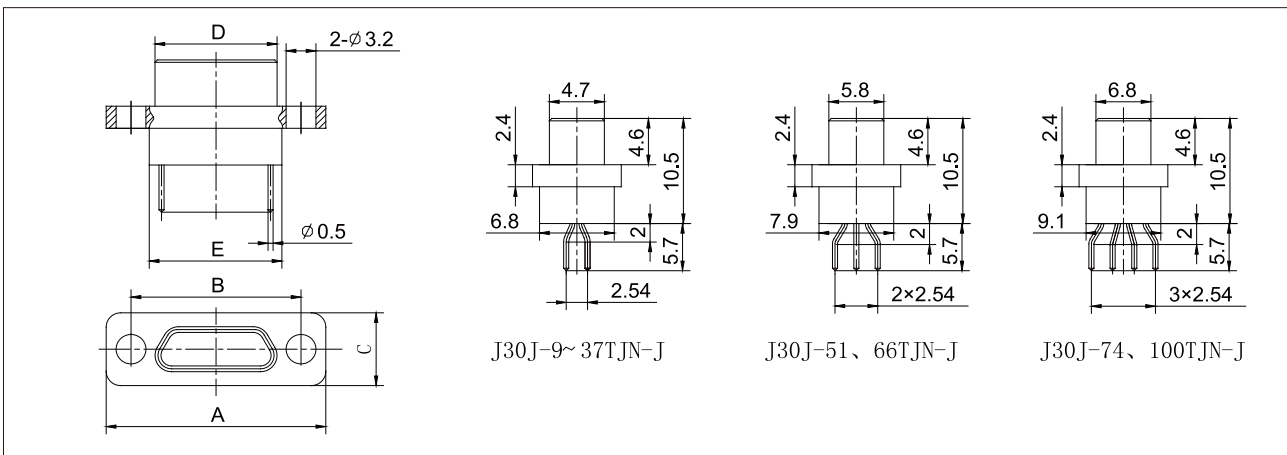


J30J-51ZKN-J



J30J-100ZKN-J

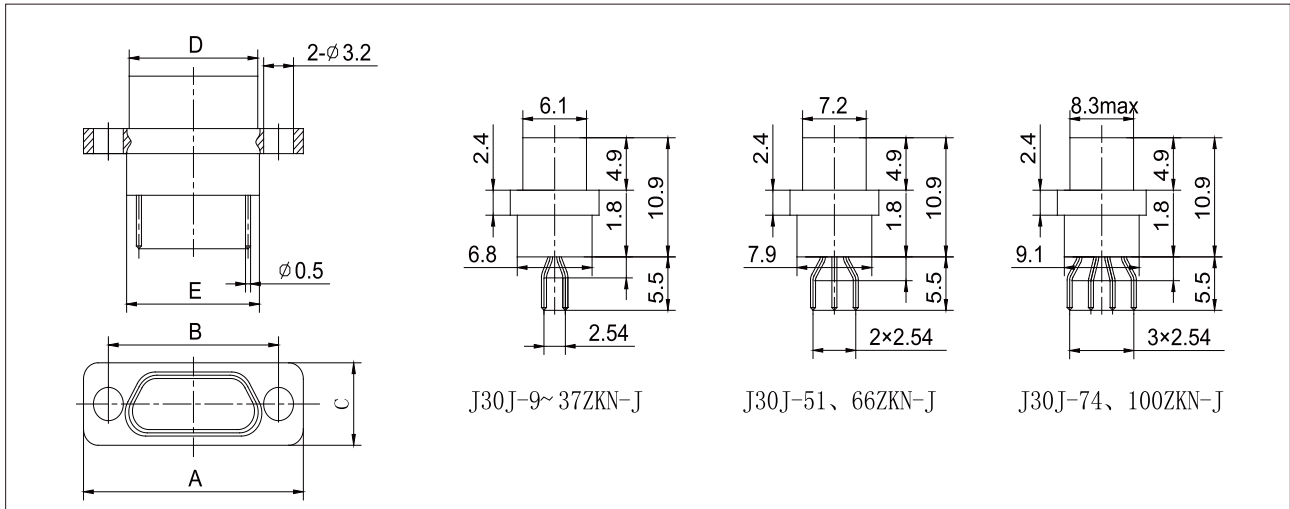
Outline dimension drawing



J30J-9~100TJN-J

Left view of each pin number(plug)

Outline dimension drawing



J30J-9 ~ 100ZKN-J

Left view of each pin number(receptacle)

P/N	A	B	C	D		E
J30J-9TJN/ZKN-J	19.6	14.3	7.6	8.3 (TJN-J)	9.8 (ZKN-J)	9.9
J30J-15TJN/ZKN-J	23.5	18.2	7.6	12.3 (TJN-J)	13.7 (ZKN-J)	13.8
J30J-21TJN/ZKN-J	27.4	22	7.6	16 (TJN-J)	17.4 (ZKN-J)	17.6
J30J-25TJN/ZKN-J	29.8	24.5	7.6	18.6 (TJN-J)	20 (ZKN-J)	20.2
J30J-31TJN/ZKN-J	33.6	28.3	7.6	22.4 (TJN-J)	23.8 (ZKN-J)	24
J30J-37TJN/ZKN-J	37.4	32.2	7.6	26.3 (TJN-J)	27.7 (ZKN-J)	27.8
J30J-51TJN/ZKN-J	36.4	30.86	8.7	25 (TJN-J)	26.5 (ZKN-J)	26.6
J30J-66TJN/ZKN-J	42.9	37.3	8.7	31.4 (TJN-J)	32.9 (ZKN-J)	33
J30J-74TJN/ZKN-J	38.8	33.5	9.7	27.5 (TJN-J)	29 (ZKN-J)	29.1
J30J-100TJN/ZKN-J	54.7	45.7	9.7	35 (TJN-J)	36.6 (ZKN-J)	36.6

J30J PCB Common type J30J Right angle PCB W type

The connection between the end of the contact and the PCB is right angle type, and the grid size is 2.54x2.54.

■ Plug

■ Receptacle

■ J30J-9、15、21、25、31、37、51、66TJW

■ J30J-9、15、21、25、31、37、51、66ZKW

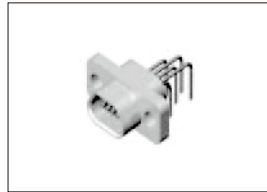
Stereogram



J30J-9TJW



J30J-51TJW

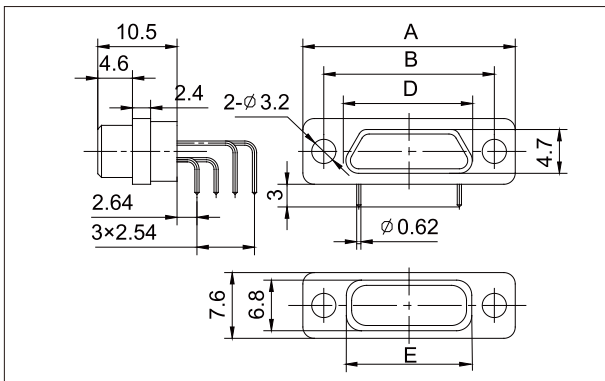


J30J-9ZKW



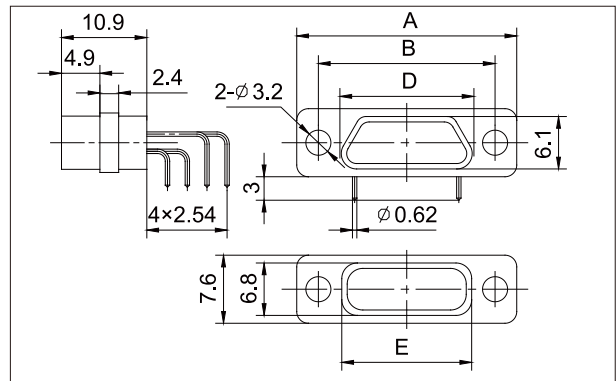
J30J-51ZKW

Outline dimension drawing

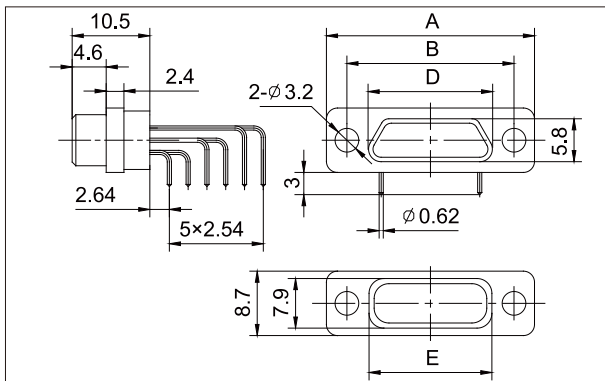


J30J-9~37TJW

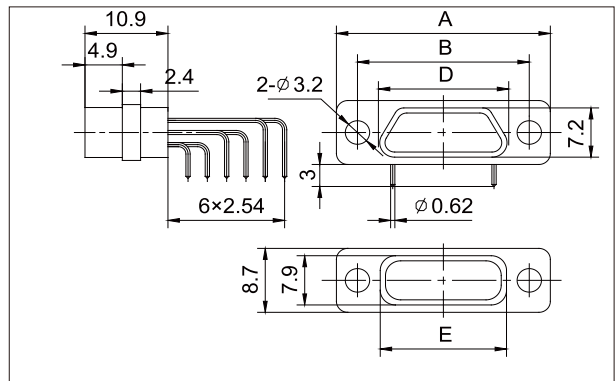
Outline dimension drawing



J30J-9~37ZKW



J30J-51、66TJW



J30J-51、66ZKW

P/N	A	B	D		E
J30J-9TJW/ZKW	19.6	14.3	8.3 (TJW)	9.8 (ZKW)	9.9
J30J-15TJW/ZKW	23.5	18.2	12.3 (TJW)	13.7 (ZKW)	13.8
J30J-21TJW/ZKW	27.4	22	16 (TJW)	17.4 (ZKW)	17.6
J30J-25TJW/ZKW	29.8	24.5	18.6 (TJW)	20 (ZKW)	20.2
J30J-31TJW/ZKW	33.6	28.3	22.4 (TJW)	23.8 (ZKW)	24
J30J-37TJW/ZKW	37.4	32.2	26.3 (TJW)	27.7 (ZKW)	27.8
J30J-51TJW/ZKW	36.4	30.86	25 (TJW)	26.5 (ZKW)	26.6
J30J-66TJW/ZKW	42.9	37.3	31.4 (TJW)	32.9 (ZKW)	33

The connection between the end of the contact and the PCB is right angle type, and the grid size is 1.27×2.54 .

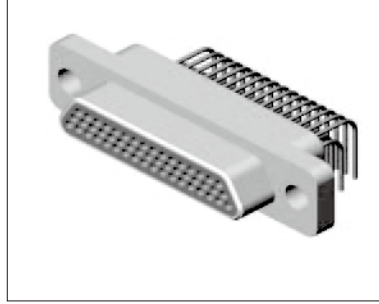
■ Plug

- J30J-9、15、21、25、31、37、51、66、74、100TJW-J

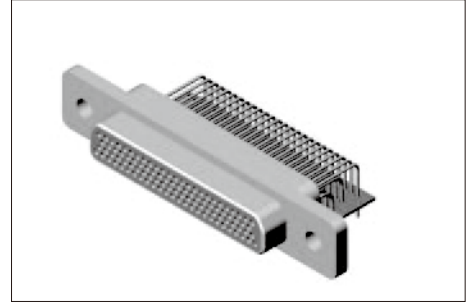
Stereogram



J30J-9TJW-J



J30J-51TJW-J

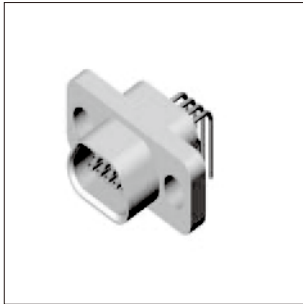


J30J-100TJW-J

■ Receptacle

- J30J-9、15、21、25、31、37、51、66、74、100ZKW-J

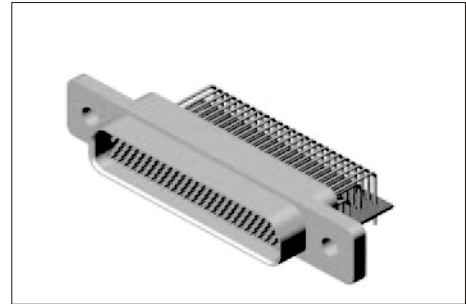
Stereogram



J30J-9ZKW-J

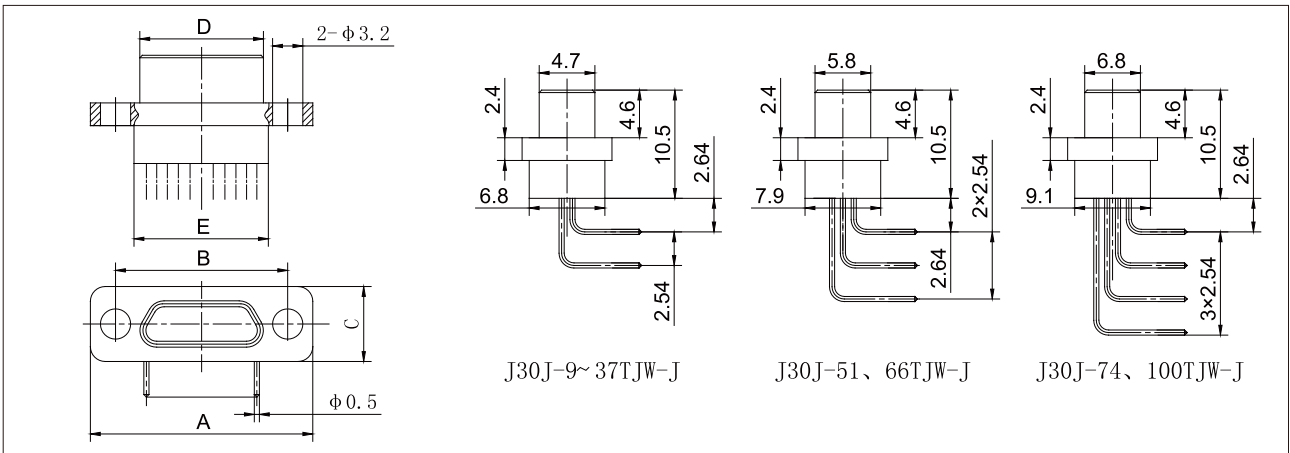


J30J-51ZKW-J



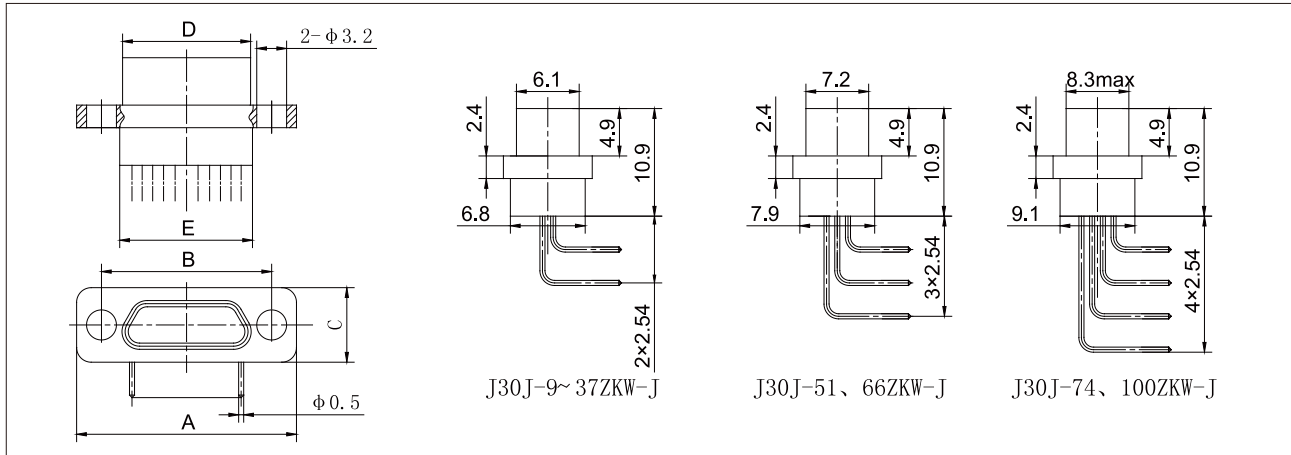
J30J-100ZKW-J

Outline dimension drawing



J30J-9~100TJW-J

Left view of each pin number(plug)



J30J-9~100ZKW-J

Left view of each pin number(receptacle)

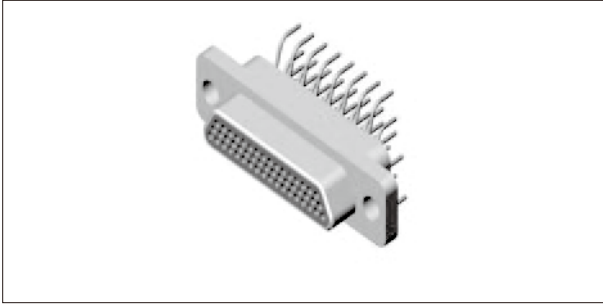
P/N	A	B	C	D		E
J30J-9TJW/ZKW-J	19.6	14.3	7.6	8.3 (TJW-J)	9.8 (ZKW-J)	9.9
J30J-15TJW/ZKW-J	23.5	18.2	7.6	12.3 (TJW-J)	13.7 (ZKW-J)	13.8
J30J-21TJW/ZKW-J	27.4	22	7.6	16 (TJW-J)	17.4 (ZKW-J)	17.6
J30J-25TJW/ZKW-J	29.8	24.5	7.6	18.6 (TJW-J)	20 (ZKW-J)	20.2
J30J-31TJW/ZKW-J	33.6	28.3	7.6	22.4 (TJW-J)	23.8 (ZKW-J)	24
J30J-37TJW/ZKW-J	37.4	32.2	7.6	26.3 (TJW-J)	27.7 (ZKW-J)	27.8
J30J-51TJW/ZKW-J	36.4	30.86	8.7	25 (TJW-J)	26.5 (ZKW-J)	26.6
J30J-66TJW/ZKW-J	42.9	37.3	8.7	31.4 (TJW-J)	32.9 (ZKW-J)	33
J30J-74TJW/ZKW-J	38.8	33.5	9.7	27.5 (TJW-J)	29 (ZKW-J)	29.1
J30J-100TJW/ZKW-J	54.7	45.7	9.7	35 (TJW-J)	36.6 (ZKW-J)	36.6

J30J Straight PCB extension type\J30J-TJN4 & J30J-TJN8

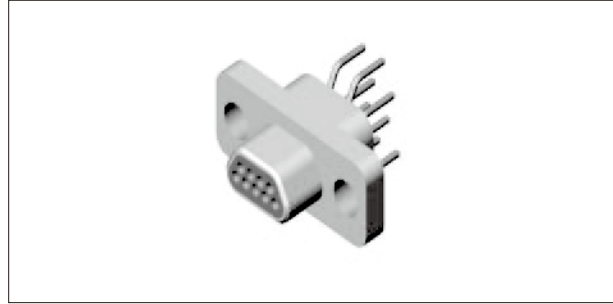
Plug J30J-9、 15、 21、 25、 31、 37、 51TJN4 The length of the pin at the end of the product is increased to 7.2 on the basis of J30J-TJN.

Plug J30J-9、 15、 21、 25、 31、 37TJN8 The length of the pin at the end of the product is increased to 8 on the basis of J30J-TJN.

Stereogram

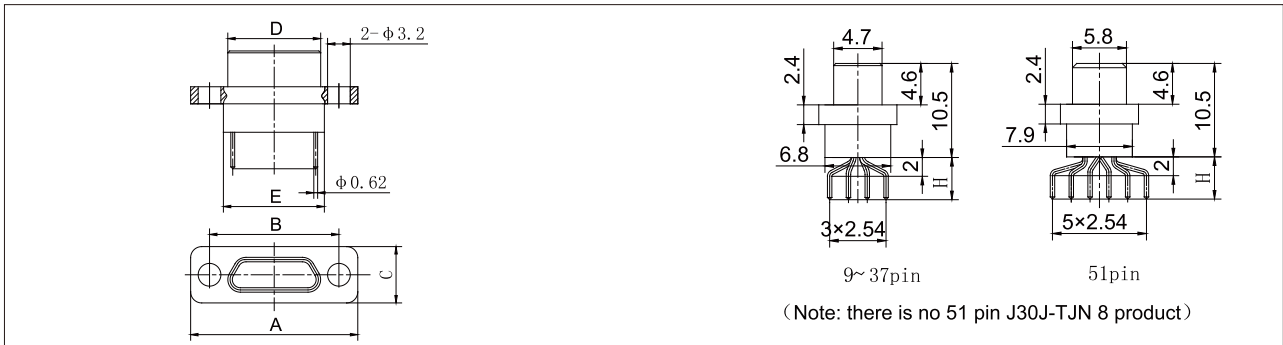


J30J-51TJN4



J30J-9TJN8

Outline dimension drawing



J30J-9~51TJN4/J30J-9~37TJN8

Left view of each pin number(plug)

Plug	A	B	C	D	E	H	
						TJN4	TJN8
J30J-9TJN 4/ TJN8	19.6	14.3	7.6	8.3	9.9	7.2	8
J30J-15TJN 4/ TJN8	23.5	18.2	7.6	12.3	13.8	7.2	8
J30J-21TJN 4/ TJN8	27.4	22	7.6	16	17.6	7.2	8
J30J-25TJN 4/ TJN8	29.8	24.5	7.6	18.6	20.2	7.2	8
J30J-31TJN 4/ TJN8	33.6	28.3	7.6	22.4	24	7.2	8
J30J-37TJN 4/ TJN8	37.4	32.2	7.6	26.3	27.8	7.2	8
J30J-51TJN 4	36.4	30.86	8.7	25	26.6	7.2	

J30J PCB extension type\J30J-ZKN3 & J30J-ZKN4

Receptacle J30J-9、15、21、25、31、37、51ZKN3 The length of the pin at the end of the product is increased to 6.7 on the basis of JJ30J-ZKN .

Receptacle J30J-9、15、21、25、31、37、51ZKN4 The length of the pin at the end of the product is increased to 7.2 on the basis of J30J-ZKN .

Stereogram

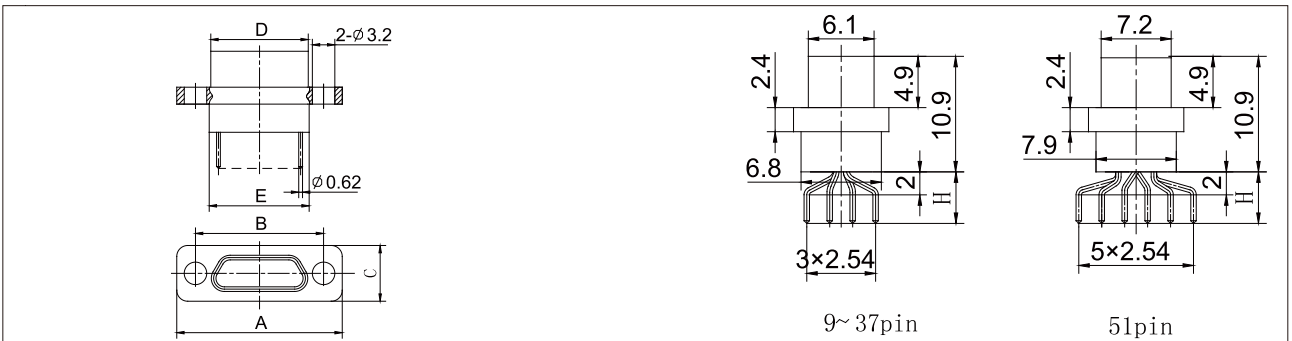


J30J-9ZKN3/J30J-9ZKN4



J30J-51ZKN3/J30J-51ZKN4

Outline dimension drawing



J30J-9~51ZKN3/J30J-9~51ZKN4

Left view of each pin number(receptacle)

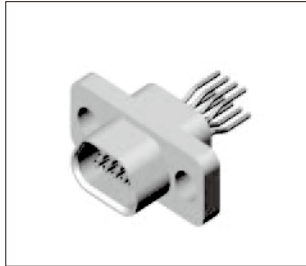
P/N	A	B	C	D	E	H	
J30J-9ZKN3 / ZKN4	19.6	14.3	7.6	8.3	9.9	ZKN3	ZKN4
J30J-15ZKN3 / ZKN4	23.5	18.2	7.6	12.3	13.8	6.7	7.2
J30J-21ZKN3 / ZKN4	27.4	22	7.6	16	17.6	6.7	7.2
J30J-25ZKN3 / ZKN4	29.8	24.5	7.6	18.6	20.2	6.7	7.2
J30J-31ZKN3 / ZKN4	33.6	28.3	7.6	22.4	24	6.7	7.2
J30J-37ZKN3 / ZKN4	37.4	32.2	7.6	26.3	27.8	6.7	7.2
J30J-51ZKN3 / ZKN4	36.4	30.86	8.7	25	26.6	6.7	7.2

J30JPCB extension type\J30J-ZKN4-J

The length of the pin at the end of the product is increased to 7.2 on the basis of J30J-ZKN4-J

- Receptacle
- J30J-9、15、21、25、31、37、51、66、74、100ZKN4-J

Stereogram



J30J-9ZKN4-J

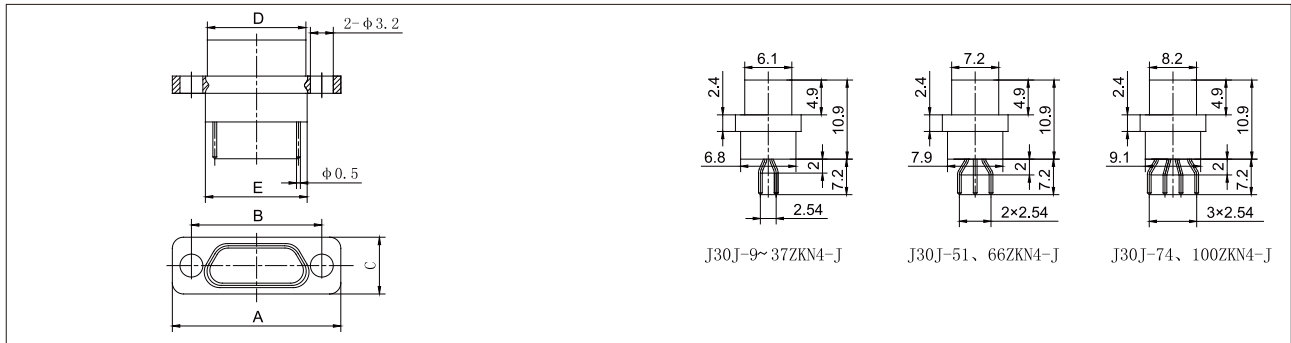


J30J-51ZKN4-J



J30J-100ZKN4-J

Outline dimension drawing



J30J-9~100ZKN4-J

Left view of each pin number(receptacle)

P/N	A	B	C	D	E
J30J-9ZKN4-J	19.6	14.3	7.6	9.8	9.9
J30J-15ZKN4-J	23.5	18.2	7.6	13.7	13.8
J30J-21ZKN4-J	27.4	22	7.6	17.4	17.6
J30J-25ZKN4-J	29.8	24.5	7.6	20	20.2
J30J-31ZKN4-J	33.6	28.3	7.6	23.8	24
J30J-37ZKN4-J	37.4	32.2	7.6	27.7	27.8
J30J-51ZKN4-J	36.4	30.86	8.7	26.5	26.6
J30J-66ZKN4-J	42.9	37.3	8.7	32.9	33
J30J-74ZKN4-J	38.8	33.5	9.7	29	29.1
J30J-100ZKN4-J	54.7	45.7	9.7	36.6	36.6

J30J PCB extension type J30J-TJW-Q8 & J30J-ZKW-Q8

The connection between the end of the contact and the PCB is right angle type, and the grid size is 2.54 × 2.54.

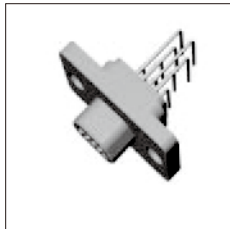
■ Plug

■ Receptacle

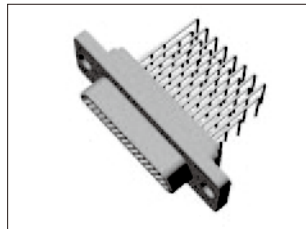
■ J30J-9、15、21、25、31、37、51TJW-Q8

■ J30J-9、15、21、25、31、37、51ZKW-Q8

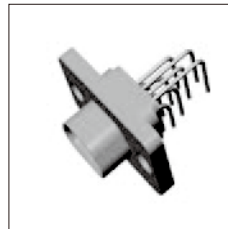
Stereogram



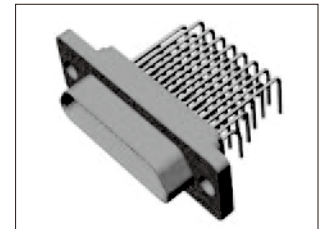
J30J-9TJW-Q8



J30J-51TJW-Q8

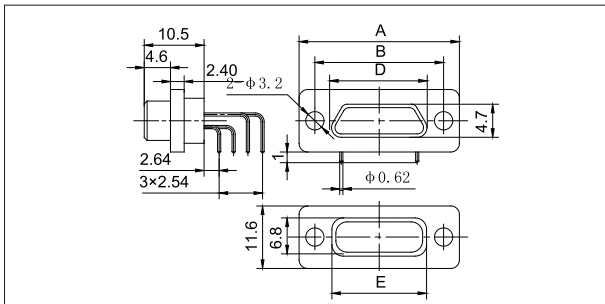


J30J-9ZKW-Q8

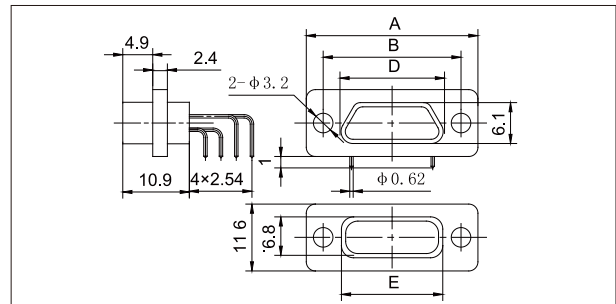


J30J-51ZKW-Q8

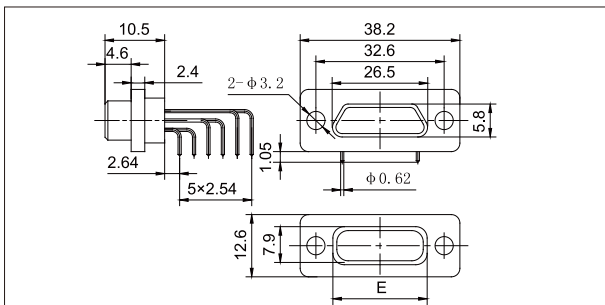
Outline dimension drawing



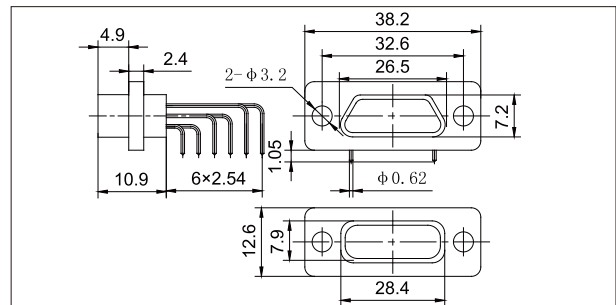
J30J-9~37TJW-Q8



J30J-9~37ZKW-Q8



J30J-51TJW-Q8



J30J-51ZKW-Q8

P/N	A	B	D		E
J30J-9TJW / ZKW-Q8	21.4	16.1	8.3 (TJW-Q8)	9.8 (ZKW-Q8)	11.7
J30J-15TJW / ZKW-Q8	25.3	20	12.3 (TJW-Q8)	13.7 (ZKW-Q8)	15.6
J30J-21TJW / ZKW-Q8	29.2	23.8	16 (TJW-Q8)	17.4 (ZKW-Q8)	19.4
J30J-25TJW / ZKW-Q8	31.6	26.3	18.6 (TJW-Q8)	20 (ZKW-Q8)	22
J30J-31TJW / ZKW-Q8	35.4	30.1	22.4 (TJW-Q8)	23.8 (ZKW-Q8)	25.8
J30J-37TJW / ZKW-Q8	39.2	34	26.3 (TJW-Q8)	27.7 (ZKW-Q8)	29.6
J30J-51TJW / ZKW-Q8	See "Outline dimension drawing"				

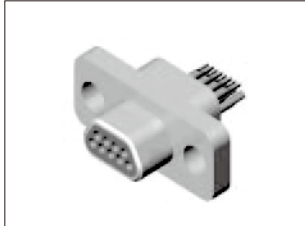
J30J Solder Common type\J30J-TJS & J30J-ZKS

The basic type soldering products with a pitch of 1.27 × 1.1 (column × row) at the end.

■ Plug

- J30J-9、 15、 21、 25、 31、 37、 51、 66、 74、 100TJS

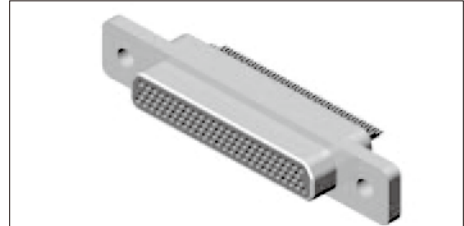
Stereogram



J30J-9TJS



J30J-51TJS

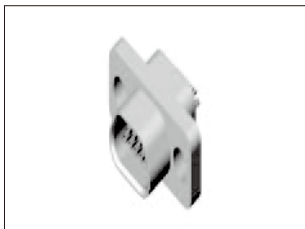


J30J-100TJS

■ Receptacle

- J30J-9、 15、 21、 25、 31、 37、 51、 66、 74、 100ZKS

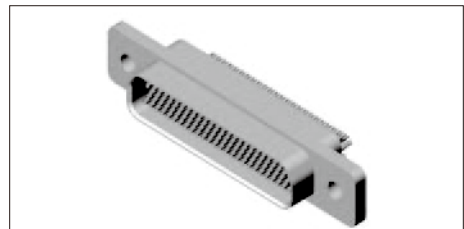
Stereogram



J30J-9ZKS

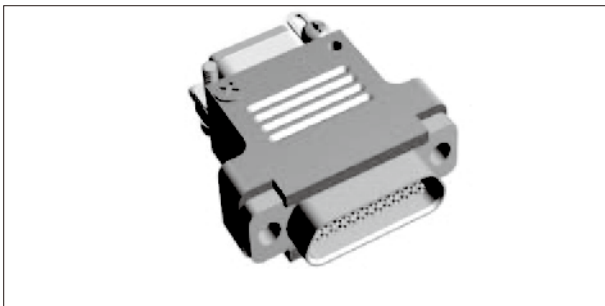


J30J-51ZKS

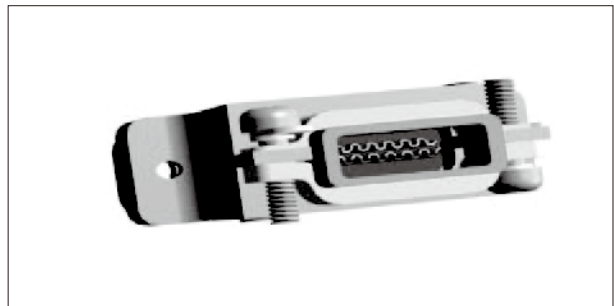


J30J-100ZKS

Note: All J30J-TJS/ZKS welded plug (socket) assemblies are equipped with A3 type clamp assembly by default.



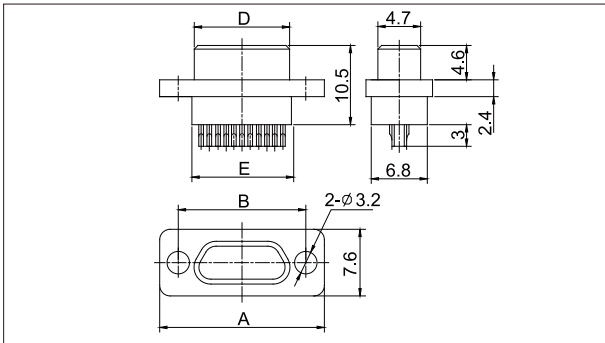
Stereogram of the butt end



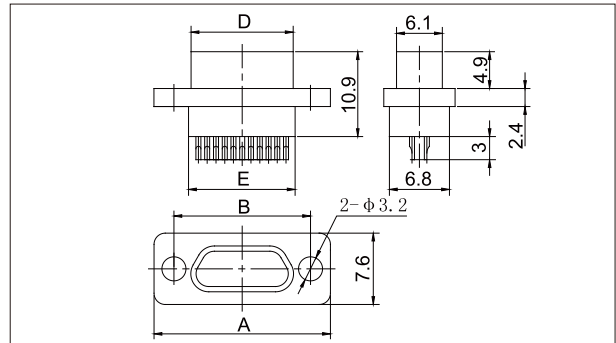
stereogram of the end of the clamp

J30J Solder Common type\J30J-TJS & J30J-ZKS

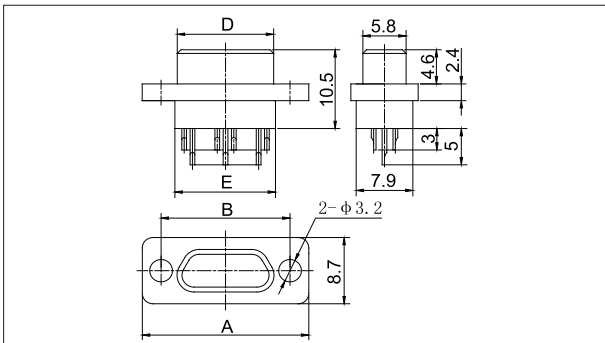
Outline dimension drawing



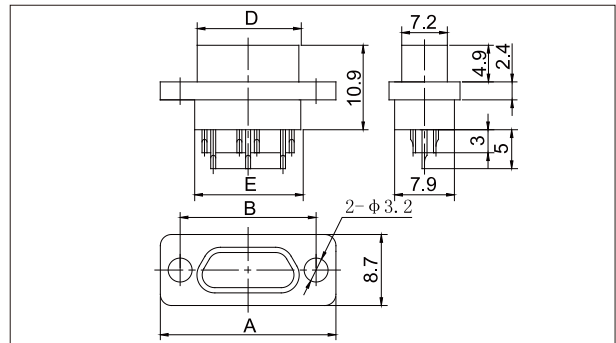
J30J-9~37TJS



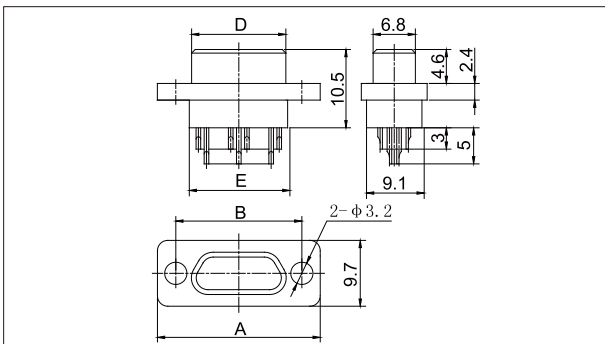
J30J-9~37ZKS



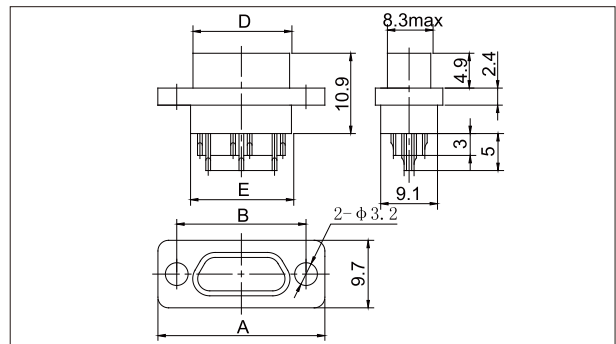
J30J-51, 66TJS



J30J-51, 66ZKS



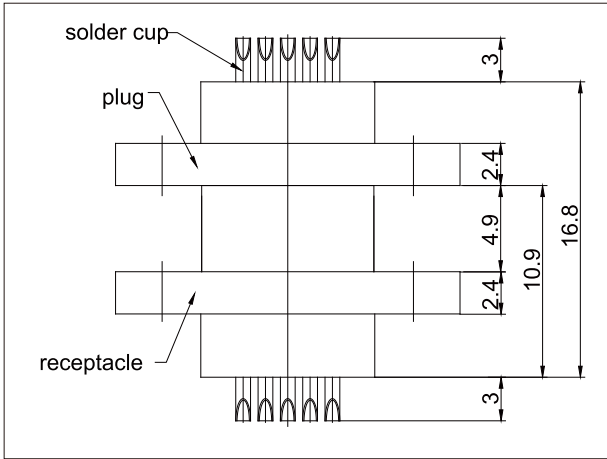
J30J-74, 100TJS



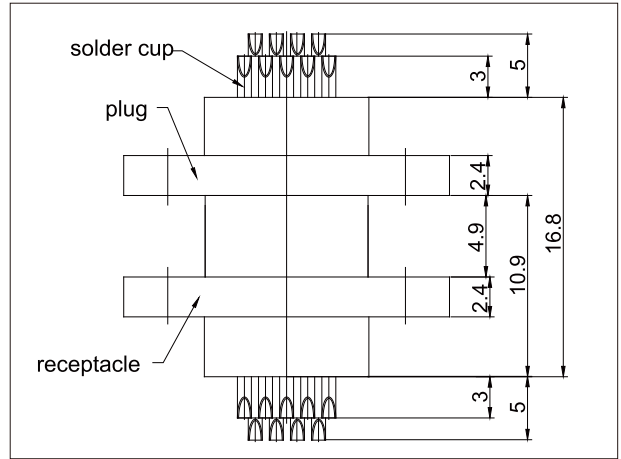
J30J-74, 100ZKS

P/N	A	B	D		E
J30J-9TJS/ZKS	19.6	14.3	8.3 (TJS)	9.8 (ZKS)	9.9
J30J-15TJS/ZKS	23.5	18.2	12.3 (TJS)	13.7 (ZKS)	13.8
J30J-21TJS/ZKS	27.4	22	16 (TJS)	17.4 (ZKS)	17.6
J30J-25TJS/ZKS	29.8	24.5	18.6 (TJS)	20 (ZKS)	20.2
J30J-31TJS/ZKS	33.6	28.3	22.4 (TJS)	23.8 (ZKS)	24
J30J-37TJS/ZKS	37.4	32.2	26.3 (TJS)	27.7 (ZKS)	27.8
J30J-51TJS/ZKS	36.4	30.86	25 (TJS)	26.5 (ZKS)	26.6
J30J-66TJS/ZKS	42.9	37.3	31.4 (TJS)	32.9 (ZKS)	33
J30J-74TJS/ZKS	38.8	33.5	27.5 (TJS)	29 (ZKS)	29.1
J30J-100TJS/ZKS	54.7	45.7	35 (TJS)	36.6 (ZKS)	36.6

Outline drawing after docking (Dimension of A3 wire clamps is not included)

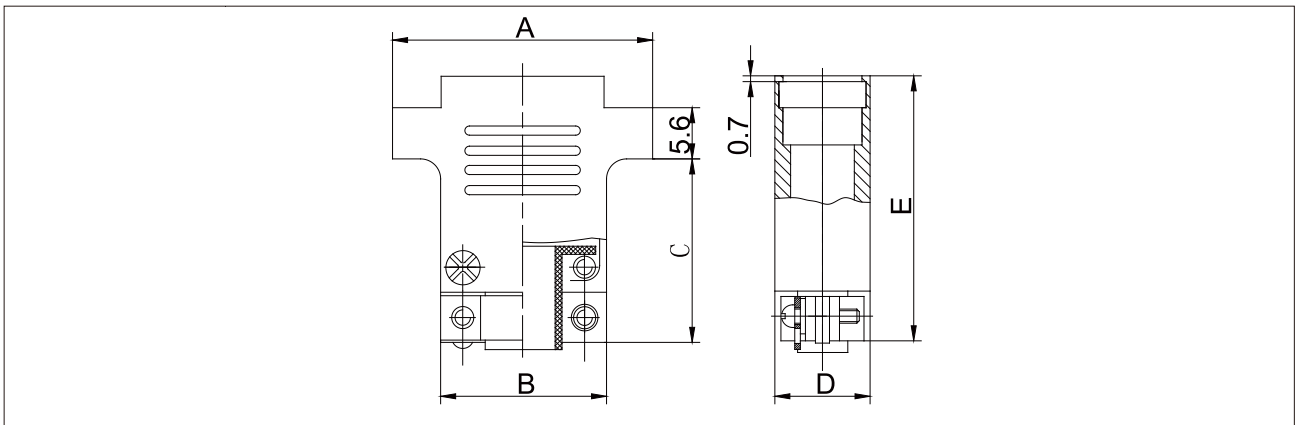


J30J-9~37 pin



J30J-51~100 pin

Dimensions of A3 wire clamps



Contact Number	A	B	C	D	E	Contact Number	A	B	C	D	E
9 Pin	19.6	9.9	18.2	10.4	27	37 Pin	37.4	27.8	19.2	10.4	28
15 Pin	23.5	13.8	18.2	10.4	27	51 Pin	36.4	26.6	21.2	11.2	30
21 Pin	27.4	17.6	19.2	10.4	28	66 Pin	42.9	33	21.2	11.2	30
25 Pin	29.8	20.2	19.2	10.4	28	74 Pin	38.8	29.1	21.2	12	30
31 Pin	33.6	24	19.2	10.4	28	100 Pin	54.7	40.7	21.2	12	30

J30JC Crimping extension type\J30JC-TJ&J30JC-ZK

- Plug J30JC-9、 15、 21、 25、 31、 37、 51、 66、 74、 100TJ
- Receptacle J30JC-9、 15、 21、 25、 31、 37、 51、 66、 74、 100ZK

J30JC Crimping extension type\J30JC-ZK-Q

- Receptacle J30JC-9、 15、 21、 25、 31、 37、 51、 66、 74、 100ZK-Q

J30JC PCB extension type\J30JC-ZKW-Q

- Receptacle J30JC-9、 15、 21、 25、 31、 37、 51、 66、 74、 100ZKW-Q

Stereogram



J30JC-9ZKW-Q



J30JC-31ZKW-Q

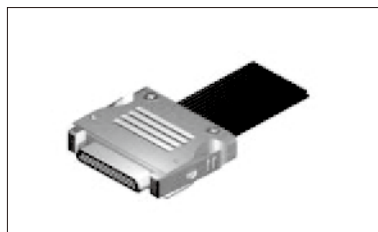
J30JA Quick lock Crimping type\J30JA-TJ&J30JA-ZK

- Plug
- J30JA-9、 15、 21、 25、 31、 37、 51、 66、 74、 100、 144TJ

Stereogram



J30JA-9TJ



J30JA-31TJ



J30JA-100TJ

- Receptacle
- J30JA-9、 15、 21、 25、 31、 37、 51、 66、 74、 100、 144ZK

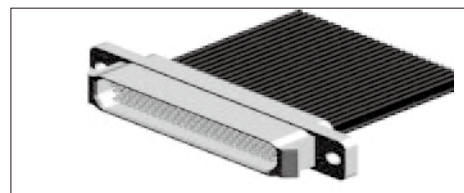
Stereogram



J30JA-9ZK



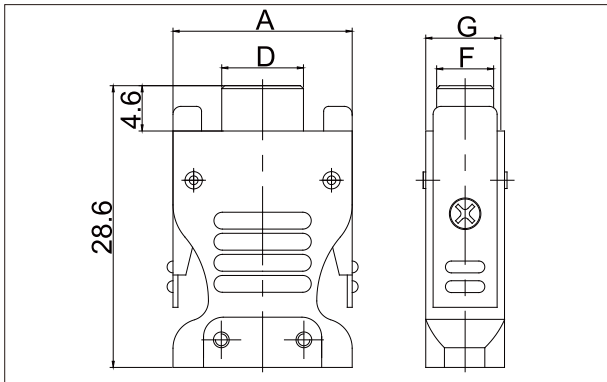
J30JA-31ZK



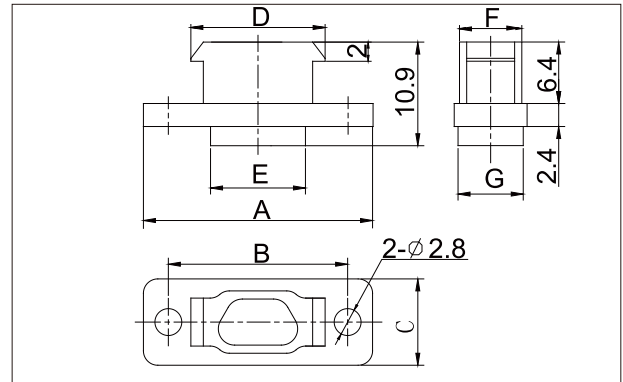
J30JA-100ZK

J30JA Quick lock Crimping type\J30JA-TJ & J30JA-ZK

Outline dimension drawing



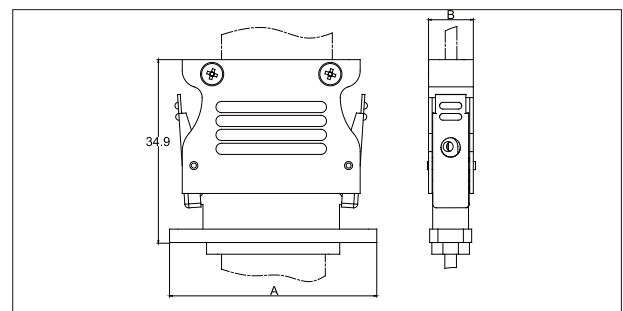
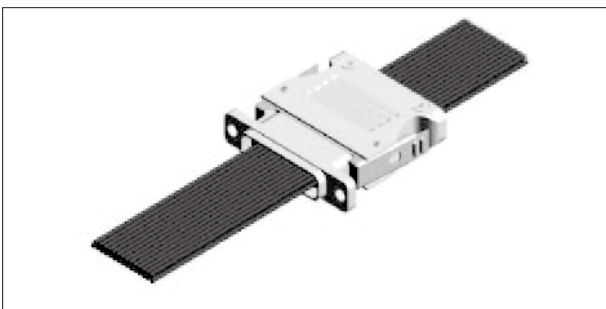
J30JA-TJ



J30JA-ZK

Plug	A	D	F	G	Receptacle	A	B	C	D	E	F	G
J30JA-9TJ	18.2	8.4	4.7	8.1	J30JA-9ZK	23.4	18.6	7.6	14.3	9.8	6.5	6.8
J30JA-15TJ	22.1	12.3	4.7	8.1	J30JA-15ZK	27.4	22.6	7.6	18.3	13.8	6.5	6.8
J30JA-21TJ	25.8	16	4.7	8.1	J30JA-21ZK	31.1	26.3	7.6	22	17.5	6.5	6.8
J30JA-25TJ	28.4	18.6	4.7	8.1	J30JA-25ZK	33.7	28.9	7.6	24.6	20.1	6.5	6.8
J30JA-31TJ	32.2	22.4	4.7	8.1	J30JA-31ZK	37.5	32.7	7.6	28.4	24.1	6.5	6.8
J30JA-37TJ	36	26.3	4.7	8.1	J30JA-37ZK	41.4	36.6	7.6	32.3	27.8	6.5	6.8
J30JA-51TJ	34.8	25	5.8	10	J30JA-51ZK	40.1	35.3	8.7	31	26.5	7.6	7.9
J30JA-66TJ	41.2	31.4	5.8	10	J30JA-66ZK	46.5	41.7	8.7	37.4	33	7.6	7.9
J30JA-74TJ	37.3	27.5	6.8	11	J30JA-74ZK	42.6	37.8	9.8	33.5	29	8.7	9
J30JA-100TJ	44.8	35	6.8	11	J30JA-100ZK	50.1	45.3	9.8	41	36.5	8.7	9
J30JA-144TJ	58.8	49	6.8	11	J30JA-144ZK	64.1	59.3	9.8	55	50.6	8.7	9.1

Docking drawing



P/N	A	B	P/N	A	B
J30JA-9TJ/ZK	23.4	8.1	J30JA-51TJ/ZK	40.1	10
J30JA-15TJ/ZK	27.4	8.1	J30JA-66TJ/ZK	46.5	10
J30JA-21TJ/ZK	31.1	8.1	J30JA-74TJ/ZK	42.6	11
J30JA-25TJ/ZK	33.7	8.1	J30JA-100TJ/ZK	50.1	11
J30JA-31TJ/ZK	37.5	8.1	J30JA-144TJ/ZK	64.1	11
J30JA-37TJ/ZK	41.4	8.1			

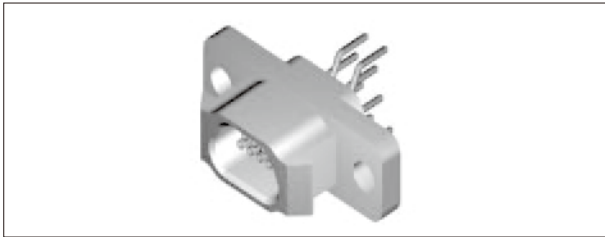
J30JAPCB extension type\J30JA-ZKN

The connection between the end of the contact and the PCB is straight type, and the grid size is 2.54×2.54.

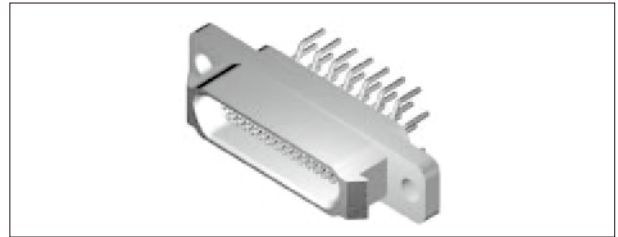
■ Receptacle

■ J30JA-9、15、21、25、31、37、51ZKN

Stereogram

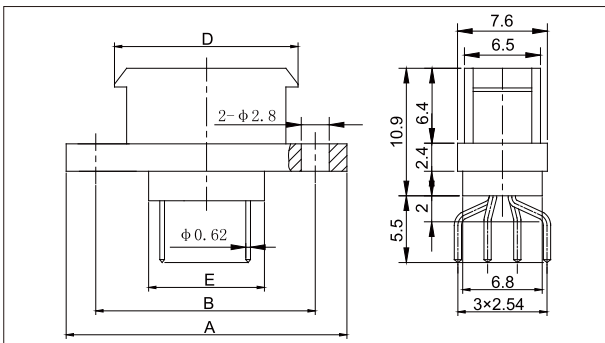


J30JA-9ZKN

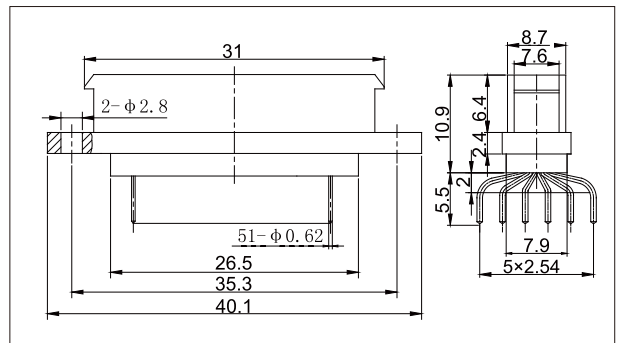


J30JA-31ZKN

Outline dimension drawing



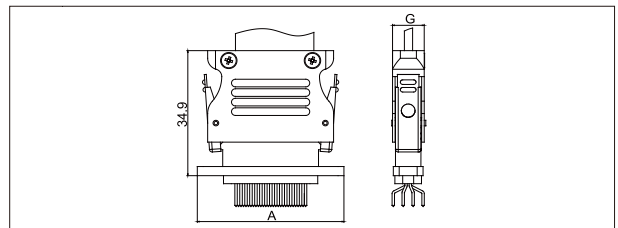
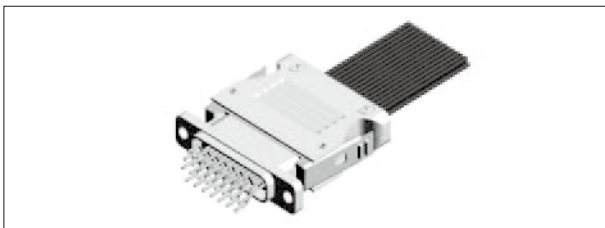
J30JA-9 ~ 37ZKN



J30JA-51ZKN

P/N	A	B	D	E
J30JA-9ZKN	23.4	18.6	14.3	9.8
J30JA-15ZKN	27.4	22.6	18.3	13.8
J30JA-21ZKN	31.1	26.3	22	17.5
J30JA-25ZKN	33.7	28.9	24.6	20.1
J30JA-31ZKN	37.5	32.7	28.4	24.1
J30JA-37ZKN	41.4	36.6	32.3	27.8

Docking dimension drawing



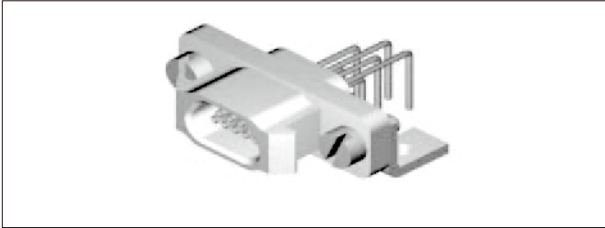
P/N	A	G	P/N	A	G
J30JA-9TJ/ZKN	23.4	8.1	J30JA-31TJ/ZKN	37.5	8.1
J30JA-15TJ/ZKN	27.4	8.1	J30JA-37TJ/ZKN	41.4	8.1
J30JA-21TJ/ZKN	31.1	8.1	J30JA-51TJ/ZKN	40.1	10
J30JA-25TJ/ZKN	33.7	8.1			

J30JA PCB extension type\J30JA-ZKW

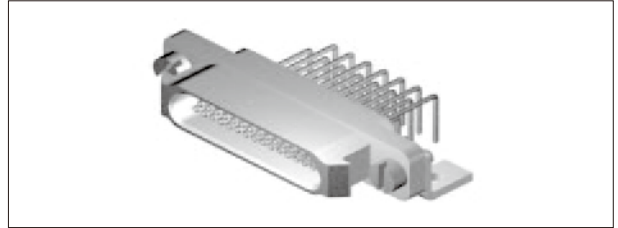
The connection between the end of the contact and the PCB is right angle type, and the grid size is 1.27 × 2.54 .

■ Receptacle

■ J30JA-9、15、21、25、31、37、51ZKW

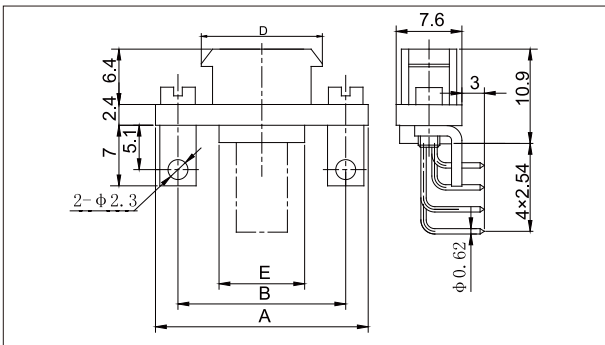


J30JA-9ZKW

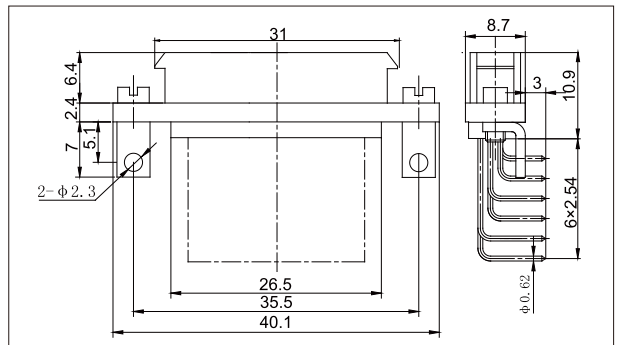


J30JA-31ZKW

Outline dimension drawing



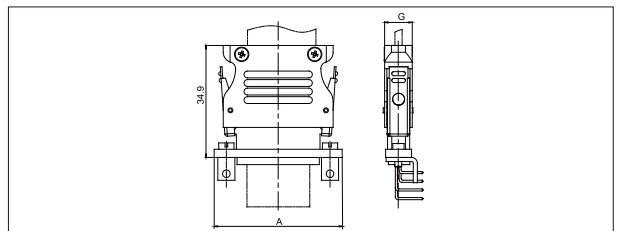
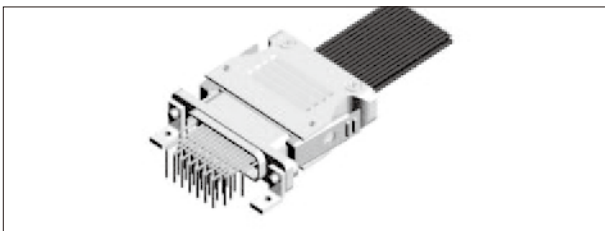
J30JA-9 ~ 37ZKW



J30JA-51ZKW

P/N	A	B	D	E
J30JA-9ZKW	23.4	18.6	14.3	9.8
J30JA-15ZKW	27.4	22.6	18.3	13.8
J30JA-21ZKW	31.1	26.3	22	17.5
J30JA-25ZKW	33.7	28.9	24.6	20.1
J30JA-31ZKW	37.5	32.7	28.4	24.1
J30JA-37ZKW	41.4	36.6	32.3	27.8

Docking dimension drawing



P/N	A	G	P/N	A	G
J30JA-9TJ/ZKW	23.4	8.1	J30JA-31TJ/ZKW	37.5	8.1
J30JA-15TJ/ZKW	27.4	8.1	J30JA-37TJ/ZKW	41.4	8.1
J30JA-21TJ/ZKW	31.1	8.1	J30JA-51TJ/ZKW	40.1	10
J30JA-25TJ/ZKW	33.7	8.1			

J30JA PCB extension type J30JA-ZKW-J

The connection between the end of the contact and the PCB is right angle type, and the grid size is 1.27 × 2.54 .

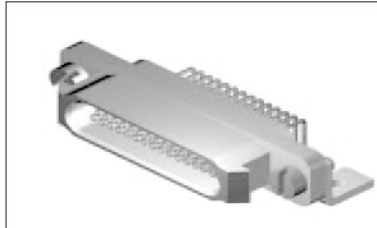
■ Receptacle

- J30JA-9、15、21、25、31、37、51、74、100ZKW-J

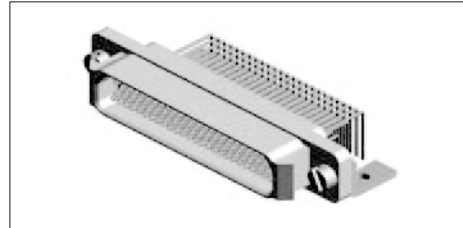
Stereogram



J30JA-9ZKW-J

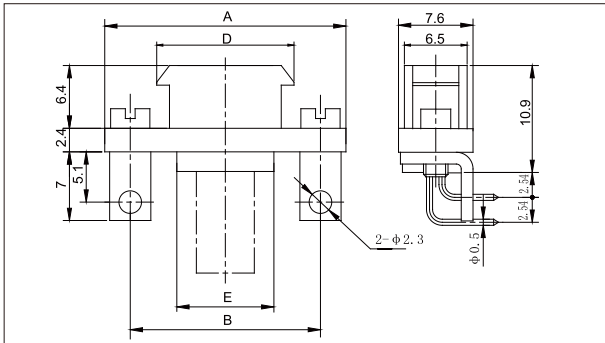


J30JA-31ZKW-J

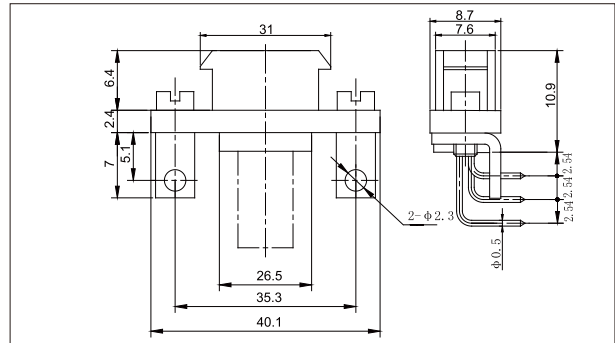


J30JA-100ZKW-J

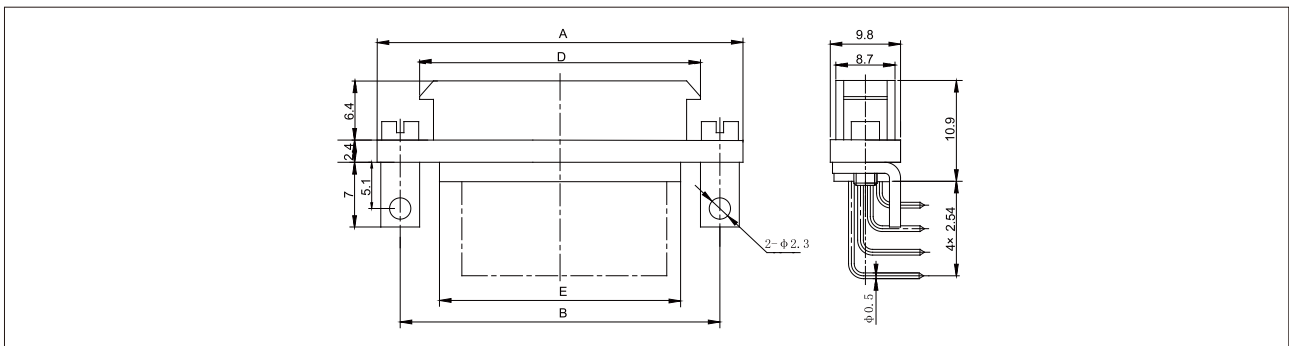
Outline dimension drawing



J30JA-9 ~ 37ZKW-J



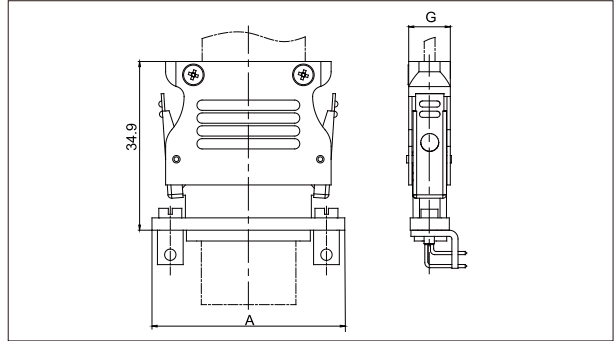
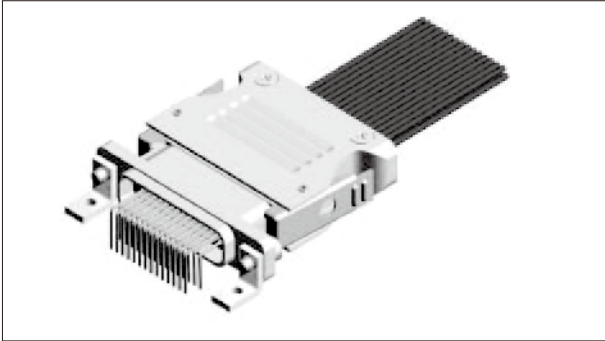
J30JA-51ZKW-J



J30JA-74、100ZKW-J

Receptacle	A	B	D	E
J30JA-9ZKW-J	23.4	18.6	14.3	9.8
J30JA-15ZKW-J	27.4	22.6	18.3	13.8
J30JA-21ZKW-J	31.1	26.3	22	17.5
J30JA-25ZKW-J	33.7	28.9	24.6	20.1
J30JA-31ZKW-J	37.5	32.7	28.4	24.1
J30JA-37ZKW-J	41.4	36.6	32.3	27.8
J30JA-74ZKW-J	42.6	37.8	33.5	29
J30JA-100ZKW-J	50.1	45.3	41	36.5
J30JA-51ZKW-J	See"Outline dimension drawing"			

Docking drawing



P/N	A	G	P/N	A	G
J30JA-9TJ/ZKW-J	23.5	8.1	J30JA-37TJ/ZKW-J	41.4	8.1
J30JA-15TJ/ZKW-J	27.4	8.1	J30JA-51TJ/ZKW-J	40.1	10
J30JA-21TJ/ZKW-J	31.1	8.1	J30JA-74TJ/ZKW-J	42.6	11
J30JA-25TJ/ZKW-J	33.7	8.1	J30JA-100TJ/ZKW-J	50.1	11
J30JA-31TJ/ZKW-J	37.5	8.1			

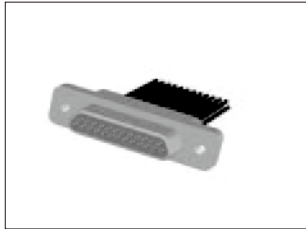
J30JDCrimping extension type\J30JD-TJ & J30JD-ZK

On the basis of J30J-TJ / ZK, the mounting hole is changed to M2-6H threaded hole.

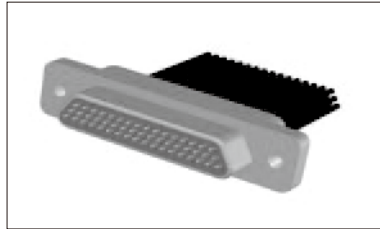
■ Plug

- J30JD-9、15、21、25、31、37、51、66、74、100TJ

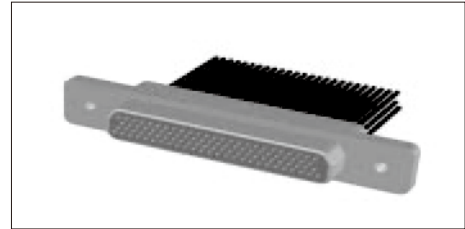
Stereogram



J30JD-25TJ



J30JD-51TJ

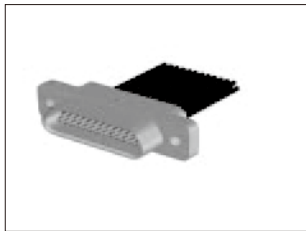


J30JD-100TJ

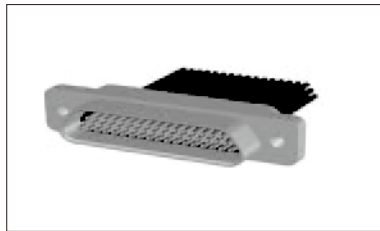
■ Receptacle

- J30JD-9、15、21、25、31、37、51、66、74、100ZK

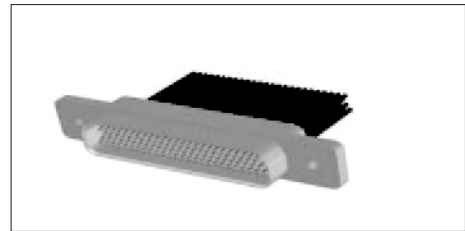
Stereogram



J30JD-25ZK

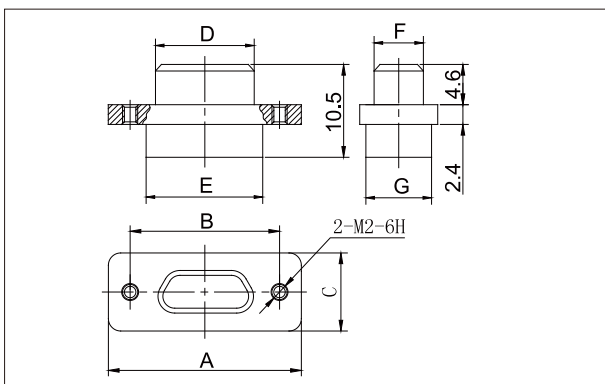


J30JD-51ZK

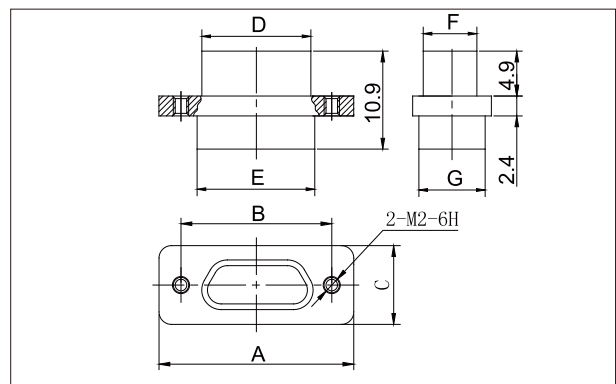


J30JD-100ZK

Outline dimension drawing



J30JD- □ TJ

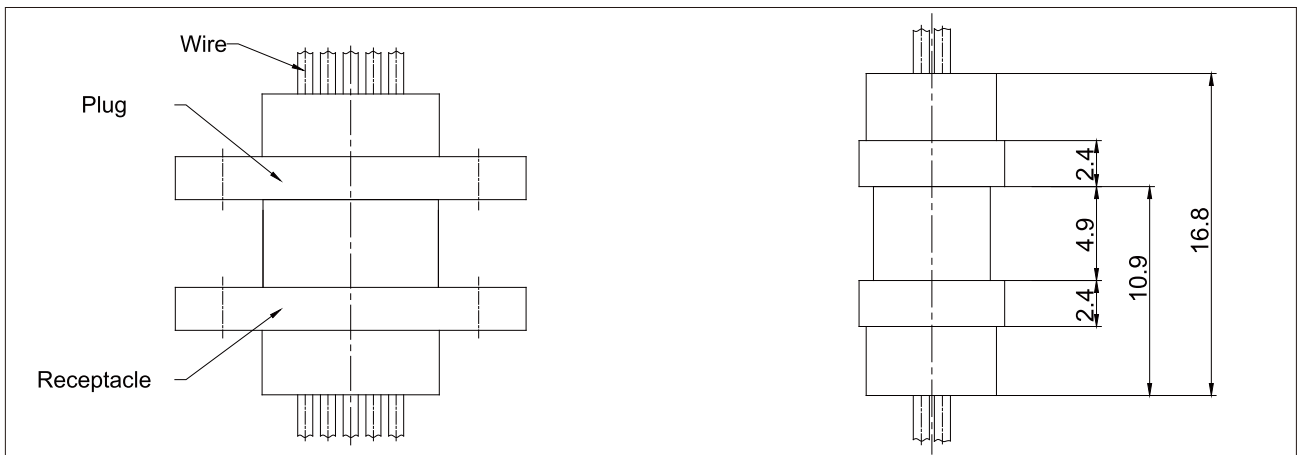


J30JD- □ ZK

J30JD Crimping extension type\J30JD-TJ & J30JD-ZK

P/N	A	B	C	D	E	F	G
J30JD-9TJ	19.6	14.3	7.6	8.3	9.9	4.7	6.8
J30JD-15TJ	23.5	18.2	7.6	12.3	13.8	4.7	6.8
J30JD-21TJ	27.4	22	7.6	16	17.6	4.7	6.8
J30JD-25TJ	29.8	24.5	7.6	18.6	20.2	4.7	6.8
J30JD-31TJ	33.6	28.3	7.6	22.4	24	4.7	6.8
J30JD-37TJ	37.4	32.2	7.6	26.3	27.8	4.7	6.8
J30JD-51TJ	36.4	30.86	8.7	25	26.6	5.8	7.9
J30JD-66TJ	42.9	37.3	8.7	31.4	33	5.8	7.9
J30JD-74TJ	38.8	33.5	9.7	27.5	29.1	6.8	9.1
J30JD-100TJ	54.7	45.7	9.7	35	36.6	6.8	9.1
J30JD-9ZK	19.6	14.3	7.6	9.8	9.9	6.1	6.8
J30JD-15ZK	23.5	18.2	7.6	13.7	13.8	6.1	6.8
J30JD-21ZK	27.4	22	7.6	17.4	17.6	6.1	6.8
J30JD-25ZK	29.8	24.5	7.6	20	20.2	6.1	6.8
J30JD-31ZK	33.6	28.3	7.6	23.8	24	6.1	6.8
J30JD-37ZK	37.4	32.2	7.6	27.7	27.8	6.1	6.8
J30JD-51ZK	36.4	30.86	8.7	26.5	26.6	7.2	7.9
J30JD-66ZK	42.9	37.3	8.7	32.9	33	7.2	7.9
J30JD-74ZK	38.8	33.5	9.7	29	29.1	8.3	9.1
J30JD-100ZK	54.7	45.7	9.7	36.6	36.65	8.2	9.1

Docking drawing



Front view

Left view

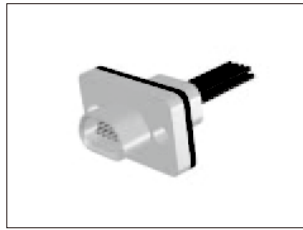
J30JM Glue sealing solder type J30JM-ZK

J30J sealed product, its performance indicators are different from those of J30J ordinary type except for insulation resistance ($\geq 2000M\Omega$), other indicators are exactly the same as J30J, and an air leakage rate indicator is added, the indicator is: 5.0×10^{-2} Pa \square cm³/s.

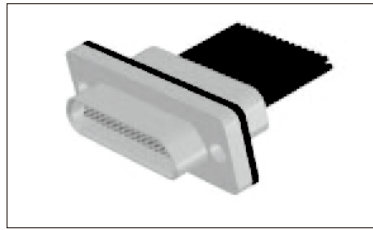
■ Receptacle

- J30JM-9、15、21、25、31、37、51、66、74、100ZK

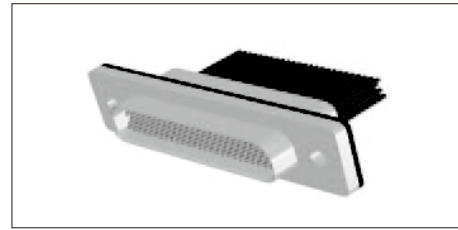
Stereogram



J30JM-9ZK

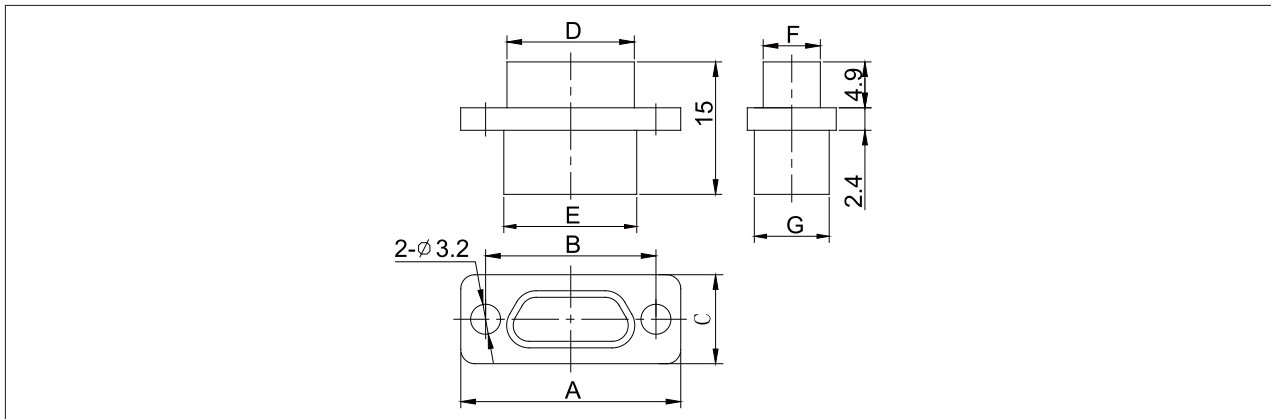


J30JM-31ZK



J30JM-100ZK

Outline dimension drawing



Note: The thickness of the rubber pads (see stereogram) installed on the flange of the product is 1mm.

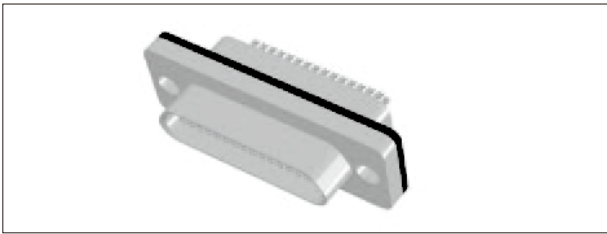
P/N	A	B	C	D	E	F	G
J30JM-9ZK	19.6	14.3	12	9.8	9.9	6.1	6.8
J30JM-15ZK	23.5	18.2	12	13.7	13.8	6.1	6.8
J30JM-21ZK	27.4	22	12	17.4	17.6	6.1	6.8
J30JM-25ZK	29.8	24.5	12	20	20.2	6.1	6.8
J30JM-31ZK	33.6	28.3	12	23.8	24	6.1	6.8
J30JM-37ZK	37.4	32.2	12	27.7	27.8	6.1	6.8
J30JM-51ZK	36.4	30.86	13	26.5	26.6	7.2	7.9
J30JM-66ZK	42.9	37.3	13	32.9	33	7.2	7.9
J30JM-74ZK	38.8	33.5	14	29	29.1	8.3	9.1
J30JM-100ZK	54.7	45.7	14	36.65	36.8	8.2	9.1

J30JM Glue sealing solder type/J30JM-ZKS

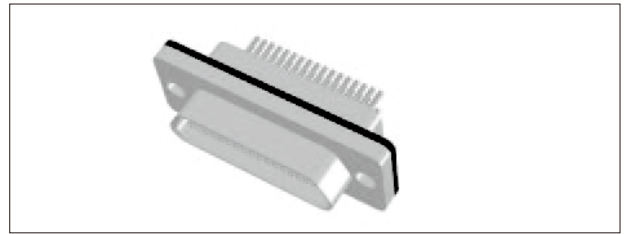
The J30J sealed welded product is the same as the basic J30JM-ZK crimping type. Its performance indicators are the same as those of the J30J, except for the insulation resistance ($\geq 2000M\Omega$), which is different from the J30J ordinary type, with an additional item of air leakage. Rate index, the index is: $5.0 \times 10^{-2} \text{ Pa} \cdot \text{cm}^3/\text{s}$.

■ Receptacle J30JM-31、51ZKS

Stereogram

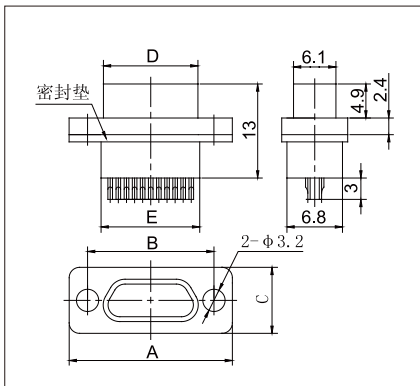


J30JM-31ZKS

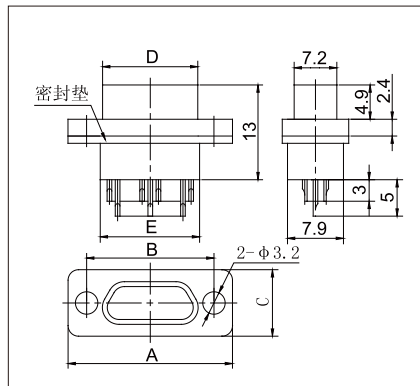


J30JM-51ZKS

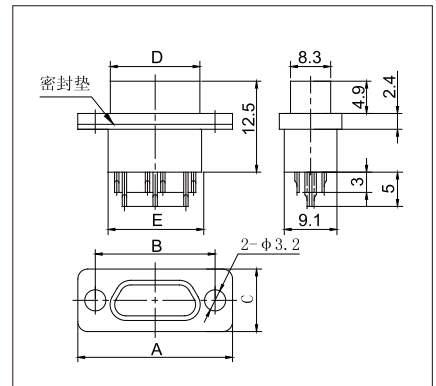
Outline dimension drawing



J30JM-9 ~ 37ZKS



J30JM-51 ~ 66ZKS



J30JM-74 ~ 100ZKS

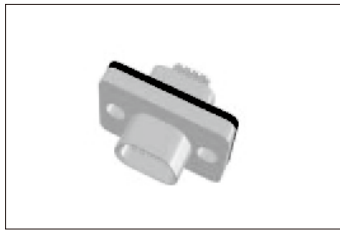
Note: The thickness of the gasket installed on the product flange is 1mm.

P/N	A	B	C	D	E	P/N	A	B	C	D	E
J30JM-9ZKS	19.6	14.3	11.6	9.8	9.9	J30JM-37ZKS	37.4	32.2	11.6	27.7	27.8
J30JM-15ZKS	23.5	18.2	11.6	13.7	13.8	J30JM-51ZKS	36.4	30.86	12.7	26.5	26.6
J30JM-21ZKS	27.4	22	11.6	17.4	17.6	J30JM-66ZKS	42.9	37.3	12.7	32.9	33
J30JM-25ZKS	29.8	24.5	11.6	20	20.2	J30JM-74ZKS	38.8	33.5	13.7	29	29.1
J30JM-31ZKS	33.6	28.3	11.6	23.8	24	J30JM-100ZKS	54.7	45.7	13.7	36.6	36.6

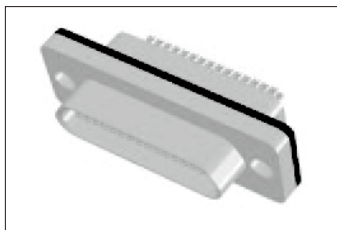
J30JM1 Sintered glass sealing solder type\J30JM1-ZKS

- This is a J30J product with a higher sealing index (note that only the receptacle end is sealed). It uses a glass sintered structure and is used in conjunction with ordinary J30J series plugs and locking components.
- Executive standard: Q / Lk30016-2008 "Detailed specification for J30JM1 series miniature rectangular sealed electrical connectors"
- Technical characteristics:
 - Insulation resistance: $\geq 1000\text{ M}\Omega$
 - Withstanding voltage: 600 Vr.m.s
 - Contact resistance: $\leq 30\text{ M}\Omega$
 - Air leakage index: $\leq 1 \times 10^{-3}\text{ Pa.cm}^3/\text{s}$
- The remaining technical indicators are exactly the same as J30J.
- This series of sealed electrical connectors are mainly used for front mounting, other installation methods need to be customized.
- It is recommended to use the blind hole installation method, and the preferred installation screws are P29, P36, P37, P43 and other screws of J30J series.
- Plug J30JM1-9、15、21、25、31、37、51ZKS

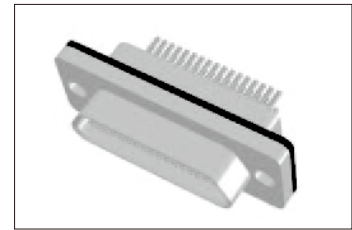
Stereogram



J30JM1-9ZKS

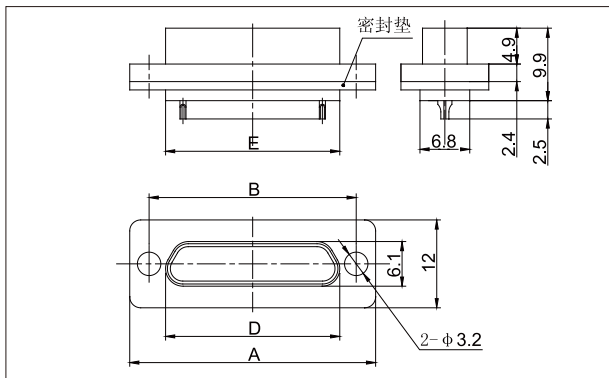


J30JM1-31ZKS

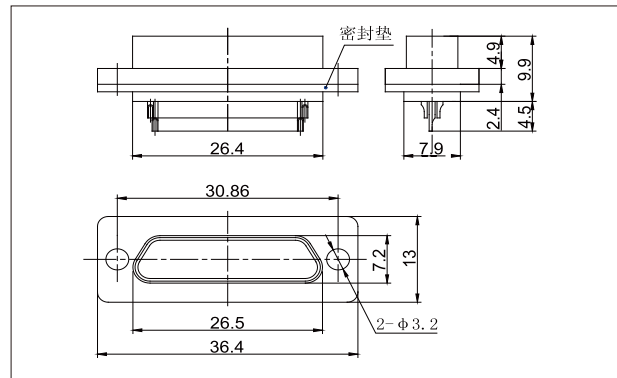


J30JM1-51ZKS

Outline dimension drawing



J30JM1-9~37ZKS



J30JM1-51ZKS

P/N	A	B	D	E
J30JM1-9ZKS	19.6	14.3	9.8	9.7
J30JM1-15ZKS	23.5	18.2	13.7	13.6
J30JM1-21ZKS	27.4	22	17.4	17.4
J30JM1-25ZKS	29.8	24.5	20	20
J30JM1-31ZKS	33.6	28.3	23.8	23.8
J30JM1-37ZKS	37.4	32.2	27.7	27.6
J30JM1-51ZKS	See picture above			

Note: The thickness of the rubber pads (see product perspective) installed on the flange of the product is 1mm.

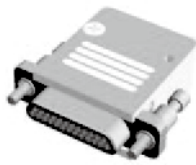
J30J wire clamp \A1 type wire clamp & A3 type wire clamp

- A1 type clamp can be used with J30J basic crimping series products, and the locking component of the product should usually be a free end locking component.
- A3 type clamp is the default matching of J30J basic welding S series products, and can also be used with J30J ordinary crimping series products.
- When the A3 type clamp is used with the J30J basic crimping series products, the product order mark is J30J-□TJ-A3(plug), J30J-□ZK-A3 (Receptacle).
- When the A3 type clamp is used with the J30J basic welding S series products, the product order mark is J30J-□TJS(plug), J30J-□ZKS (Receptacle).

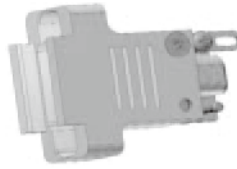
Stereogram



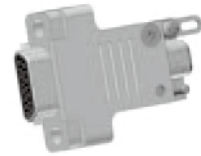
J30J - A1



Assembly of A1 wire clamp and plug

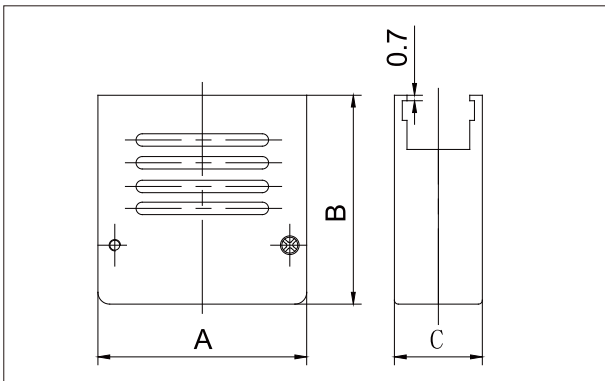


J30J- A3

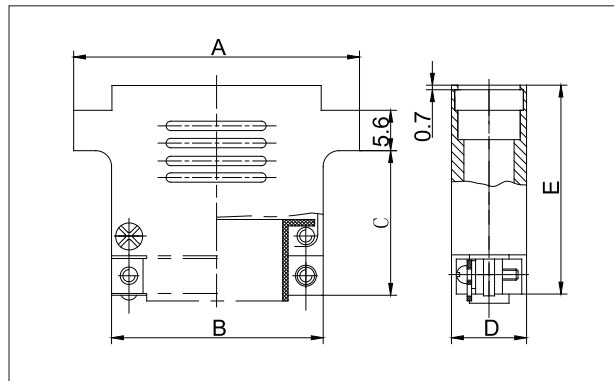


A3 type wire clamp and product assembly

Outline dimension drawing



J30J- A1 clamp



J30J- A3 clamp

P/N	A	B	C	P/N	A	B	C	D	E
J30J-9A1	9.9	23.6	10.4	J30J-9A3	19.6	9.9	18.2	10.4	27
J30J-15A1	13.8	23.6	10.4	J30J-15A3	23.5	13.8	18.2	10.4	27
J30J-21A1	17.6	23.6	10.4	J30J-21A3	27.4	17.6	19.2	10.4	28
J30J-25A1	20.2	23.6	10.4	J30J-25A3	29.8	20.2	19.2	10.4	28
J30J-31A1	24	23.6	10.4	J30J-31A3	33.6	24	19.2	10.4	28
J30J-37A1	27.8	23.6	10.4	J30J-37A3	37.4	27.8	19.2	10.4	28
J30J-51A1	26.6	26.6	11.2	J30J-51A3	36.4	26.6	21.2	11.2	30
J30J-66A1	33	26.6	11.2	J30J-66A3	42.9	33	21.2	11.2	30
J30J-74A1	29.1	30	12	J30J-74A3	38.8	29.1	21.2	12	30
J30J-100A1	40.7	30	12	J30J-100A3	54.7	40.7	21.2	12	30

J30J clamp\A2 type clamp

A2 type wire clamp can only be used with J30J-TJ / ZK-Q8 products.

Stereogram

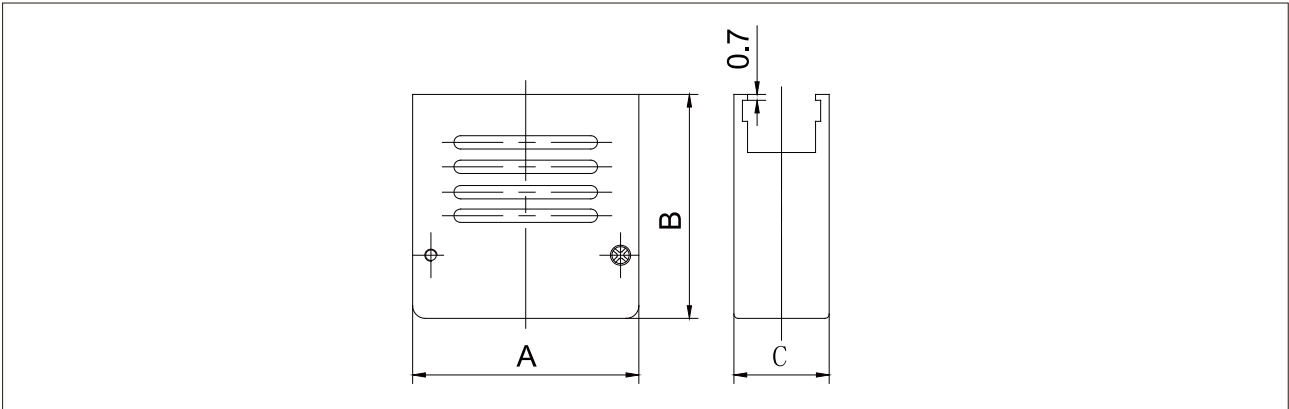


J30J- A2



Assembly of A2 wire clamp and plug

Outline dimension drawing



J30J- A2 clamp

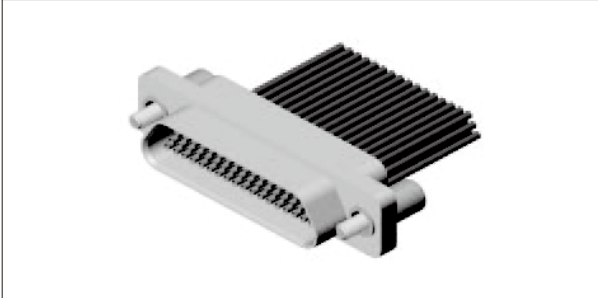
P/N	A	B	C
J30J-9A2	11.7	22	13.4
J30J-15A2	15.6	22	13.4
J30J-21A2	19.4	22	13.4
J30J-25A2	22	22	13.4
J30J-31A2	25.8	22	13.4
J30J-37A2	29.6	22	13.4
J30J-51A2	28.4	22	14.6

J30J Locking components/J30J Free end locking assembly

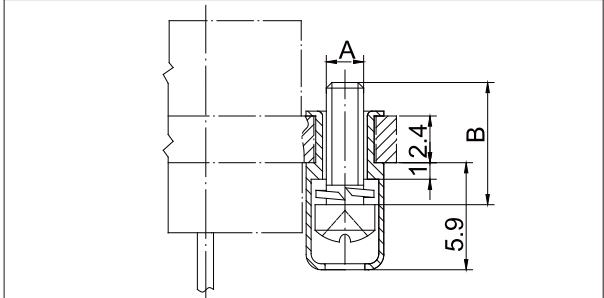
The free-end locking assembly should only be combined with the J30J product to form a free-end connector; the butt-locking end is usually a fixed-end locking assembly.

■ L、L1、L8 Locking components

Assembly diagram



Outline dimension drawing



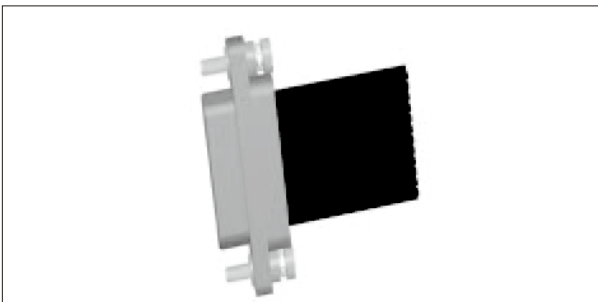
■ L、L1、L8 Locking components

J30J Free end locking assembly	A	B	Available J30J fixed end locking assembly
L type	M2-6h	7.1	P、P0、P2、P3、P4、P5、P7、P8、P9、P10、P11、P14、P15、P17、P23、P25、P27、P29、P30、P32、P35、P36、P37、P40、P41、P42、P43、P45、P46 type
L1 type	M2-6h	11.5	Specially designed for locking with J30J-ZK-Q4 products
L8 type	#2-56UNC-2A	7.1	P1

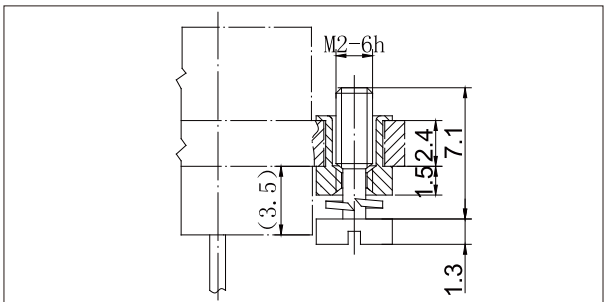
■ L7 Locking assembly

The L7 type locking assembly is installed in the J30J-TJ / ZK basic product, and the screw end is not higher than the end face of the housing after tightening.

Assembly diagram



Outline dimension drawing



■ L7 Locking assembly

J30J Free end locking assembly	Available J30J fixed end locking assembly
L7 type	P、P0、P2、P3、P4、P5、P7、P8、P9、P10、P11、P14、P15、P17、P23、P25、P27、P29、P30、P32、P35、P36、P37、P40、P41、P42、P43、P45、P46 type

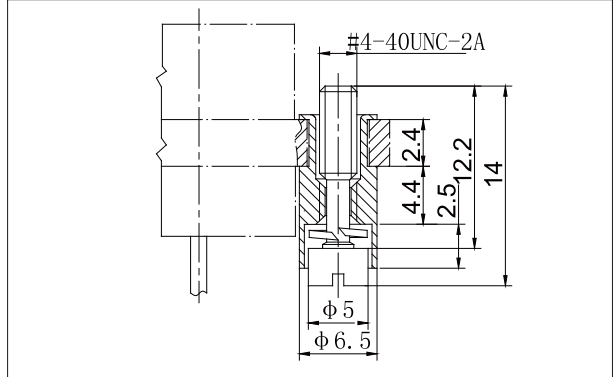
J30J Locking components\J30J Free end locking assembly

■ L2 Locking components

Assembly diagram



Outline dimension drawing

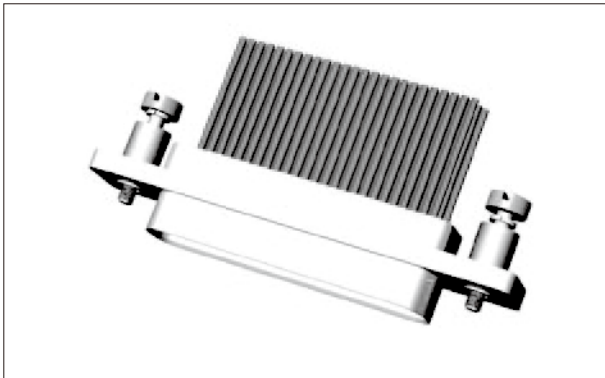


■ L2 Locking components

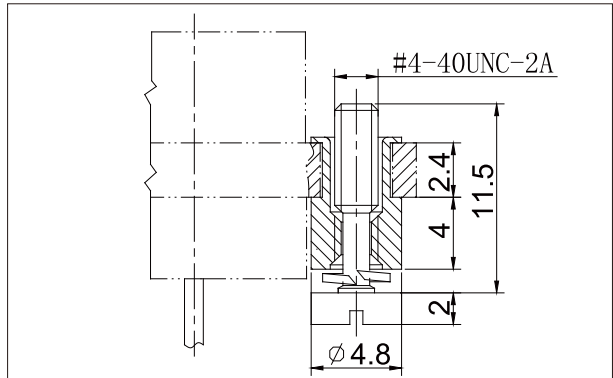
J30J Free end locking assembly	Applicable conditions and J30J fixed-end locking components
L2 type	It can only be used in products with mounting hole diameter of $\phi 3.7$ for J30J-100TJ-K / ZK-K shell flange. Can be used with P12, P16, P34 type locking components.

■ L3 Locking components

Assembly diagram



Outline dimension drawing



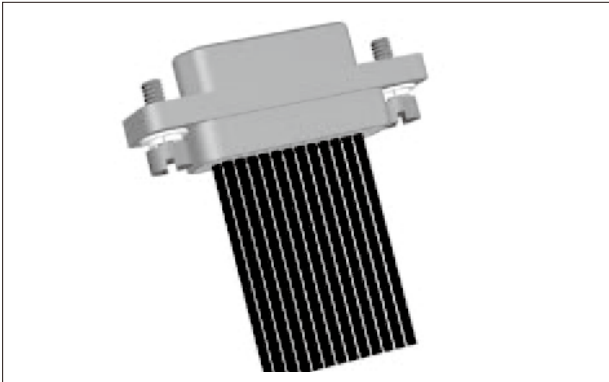
■ L3 Locking components

J30J Free end locking assembly	Applicable conditions and J30J fixed-end locking components
L3 type	It can only be used in products with mounting hole diameter of $\phi 3.7$ for J30J-100TJ-K / ZK-K shell flange. Can be used with P12, P16, P34 type locking components.

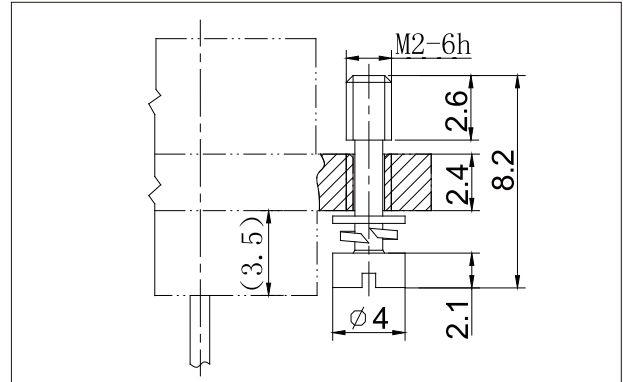
J30J Locking components\J30J Free end locking assembly

■ L9 Locking components

Assembly diagram



Outline dimension drawing



■ L9 Locking components

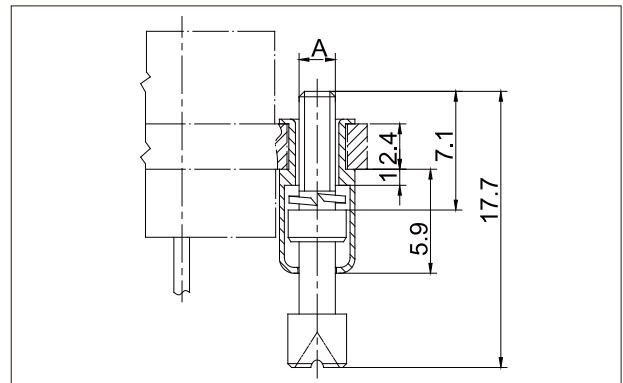
J30J Free end locking assembly	Applicable conditions and J30J fixed-end locking components
L9 type	It can only be used for J30JD type products, and for ease of use, it is recommended to be used for thread-throwing products. With P, P0, P2, P3, P4, P5, P7, P8, P9, P10, P11, P14, P15, P17, P23, P25, P27, P29, P30, P32, P35, P36, P37, P40, P41, P42, P43, P45, P46 type locking components

■ K, K1 Locking components

Assembly diagram



Outline dimension drawing



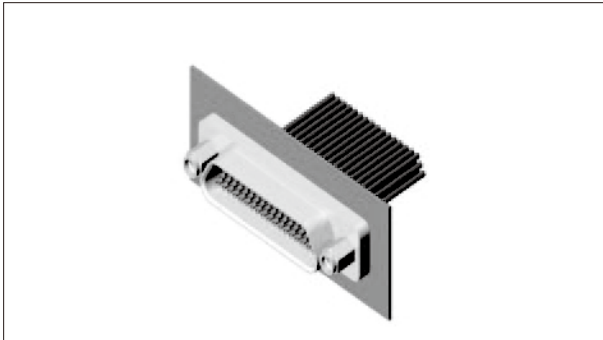
■ K, K1 Locking components

J30J Free end locking assembly	A	Available J30J fixed end locking assembly
K type	M2-6h	P, P0, P2, P3, P4, P5, P7, P8, P9, P10, P11, P14, P15, P17, P22, P23, P25, P27, P29, P30, P32, P35, P36, P37, P40, P41, P42, P43, P45, P46 type
K1 type	#2-56UNC-2A	P1

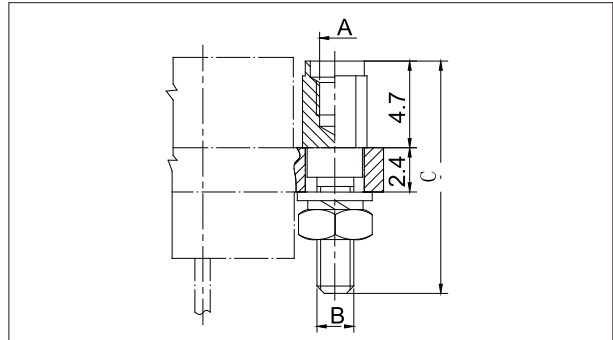
J30J Locking components \ J30J Fixed end locking assembly

- P、P1、P8、P9 Locking components
- P、P1、P8、P9 type locking components are only suitable for front mounting

Assembly diagram



Outline dimension drawing

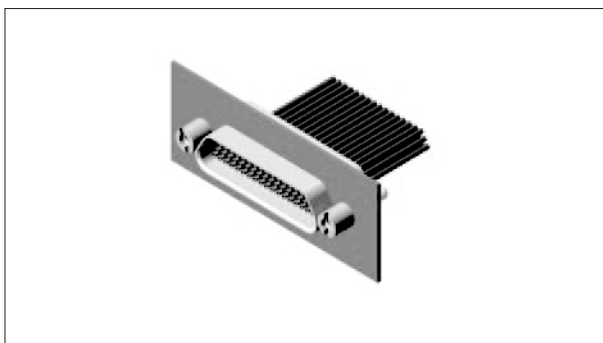


- P、P1、P8、P9 Locking components

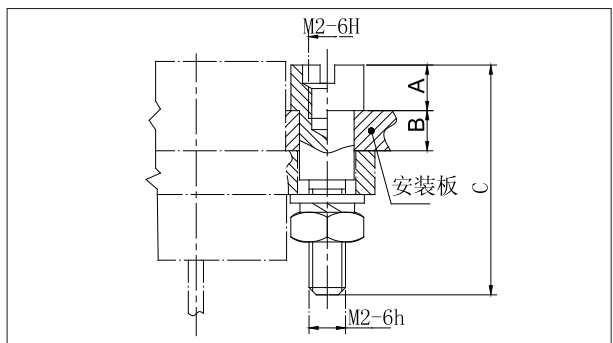
J30J Fixed end locking assembly	A	B	C	Available J30J free end locking assembly
P type	M2-6H	M2-6h	12.6	L、L7、L9、K type
P1 type	#2-56UNC-2B	#2-56UNC-2A	12.6	L8、K1 type
P8 type	M2-6H	M2-6h	15.6	L、L7、L9、K type
P9 type	M2-6H	M2-6h	21.6	L、L7、L9、K type

- P0、P3、P4、P11、P45 Locking assembly
- P0、P3、P4、P11、P45 type locking components are only suitable for rear mounting

Assembly diagram



Outline dimension drawing



- P0、P3、P4、P11、P45 type locking components are only suitable for rear mounting

J30J Fixed end locking assembly	A	B	C	Available J30J free end locking assembly
P0 type	4.1	0.6	12.6	L、L7、L9、K type
P3 type	3.3	1.4	12.6	L、L7、L9、K type
P4 type	2.5	2.2	12.6	L、L7、L9、K type
P11 type	1.3	3.4	12.6	L、L7、L9、K type
P45 type	2.7	2	20	L、L7、L9、K type

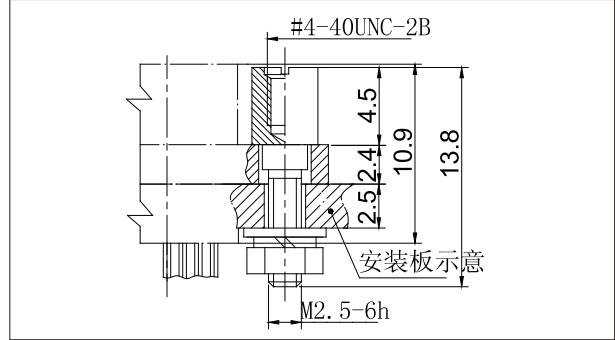
J30J Locking components \ J30J Fixed end locking assembly

■ P31 Locking assembly

Assembly diagram



Outline dimension drawing



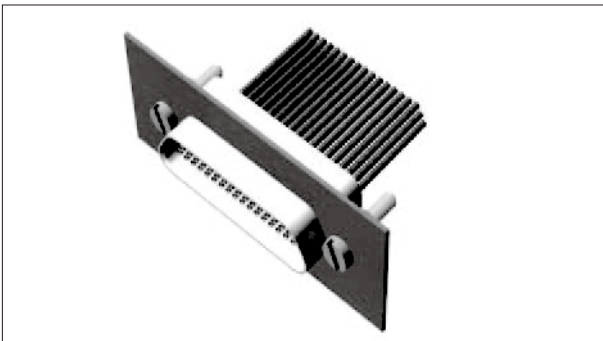
■ P31 Locking assembly

J30J Free end locking assembly	Applicable conditions and J30J fixed-end locking components
P31 type	It can only be used in products with mounting hole diameter of $\phi 3.7$ for J30J-100TJ-K / ZK-K shell flange. It can be used with L2 and L3 locking components.

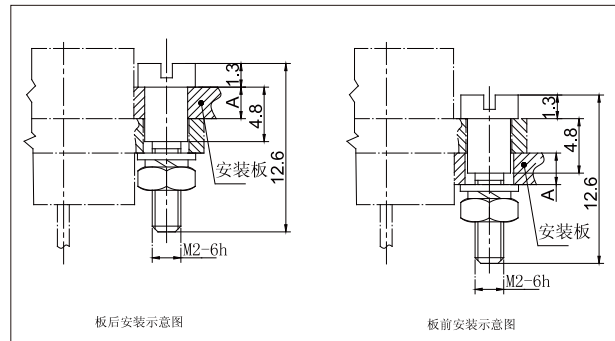
■ P44 Locking assembly

The P44 locking assembly is suitable for front mounting or rear mounting that is not locked with the free end locking assembly, and the maximum thickness of the installation board must be determined according to the use of the product, as shown in the table below.

Assembly diagram



Outline dimension drawing



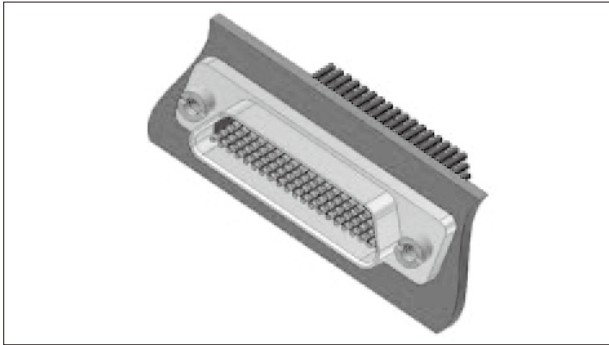
■ The use of P44 locking components and the allowable thickness range of the mounting plate

Connector usage	Mounting plate thickness A range
When the connector board is installed behind and the mating end of the connector without fixed-end locking component.	3.4max
Front mounting	2.5 ~ 3.5
When the connector board is installed behind, and the mating end of the connector also has a fixed-end locking component.	A=4.9-1.3- (Distance between screw face of mating end and flange face)

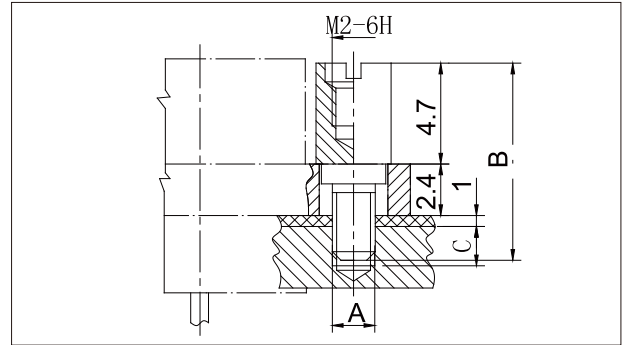
J30J Locking components \ J30J Fixed end locking assembly \ J30JM For sealed products

- The mounting screws for the fixed end of J30JM sealed products are mainly P29, P36, P37, P43, and are only suitable for front mounting
- P29、P36、P37、P43 Locking assembly

Assembly diagram



Outline dimension drawing



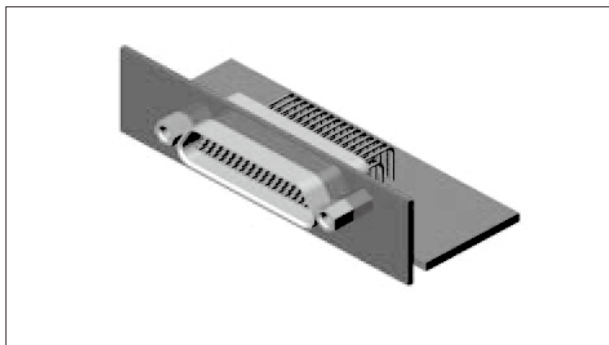
- P29、P36、P37、P43 Locking assembly

J30J Fixed end locking assembly	A	B	C	Available J30J free end locking assembly
P29 type	M3-6h	10.5	3.3min	L、L7、L9、K type
P36 type	M3-6h	14.7	7min	L、L7、L9、K type
P37 type	M2-6h	10	2.8min	L、L7、L9、K type
P43 type	M3-6h	11.7	7min	L、L7、L9、K type

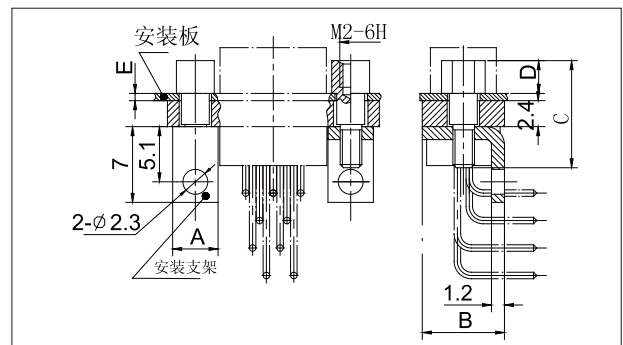
J30J Locking components \ J30J Fixed end locking assembly \ Locking components for right angle PCB

- The locking components used in the products of right angle PCB mainly include P2, P14, P7, P42, P15, P35, V1 type
- P2、P14 Locking assembly
- P2 and P14 type locking components are suitable for 90 ° right angle PCB products by rear mounting

Assembly diagram



Outline dimension drawing



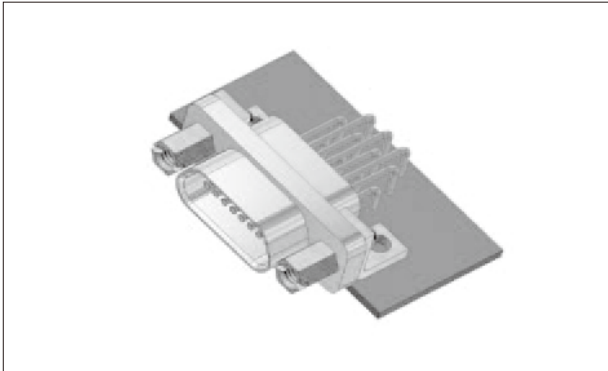
- P2、P14 Locking assembly

Pin Number	A	B	C		D		E		Available J30J free end locking assembly
			P2	P14	P2	P14	P2	P14	
9 ~ 37	4.2	7.6	11.6	10.7	3.7	1.7	1	3	L、L7、L9、K type
51、66	4.2	8.7	11.6	10.7	3.7	1.7	1	3	L、L7、L9、K type
74	4.2	9.7	11.6	10.7	3.7	1.7	1	3	L、L7、L9、K type
100	8.8	9.7	11.6	10.7	3.7	1.7	1	3	L、L7、L9、K type

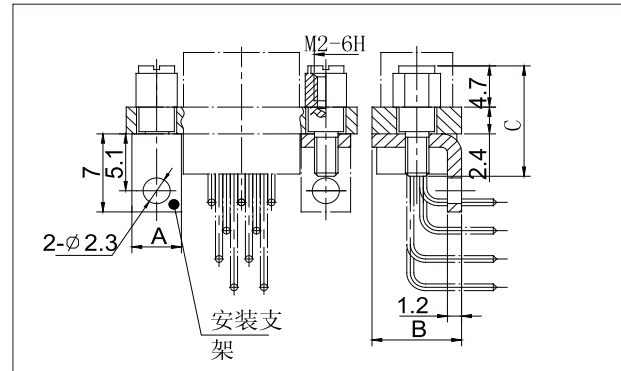
J30J Locking components\J30J Fixed end locking assembly\Locking components for right angle PCB

■ P7、P42 type locking components are suitable for 90 ° right angle PCB products by front mounting

Assembly diagram



Outline dimension drawing



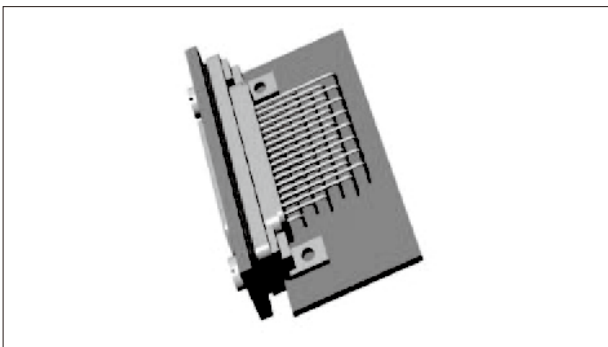
■ P7、P42 Locking assembly

Pin Number	A	B	C		Available J30J free end locking assembly L、L7、L9、K type
			P7	P42	
9 ~ 37	4.2	7.6	10.7	9.7	
51	4.2	8.7	10.7	9.7	
66	4.2	8.7	10.7	9.7	
74	4.2	9.7	10.7	9.7	
100	8.8	9.7	10.7	9.7	

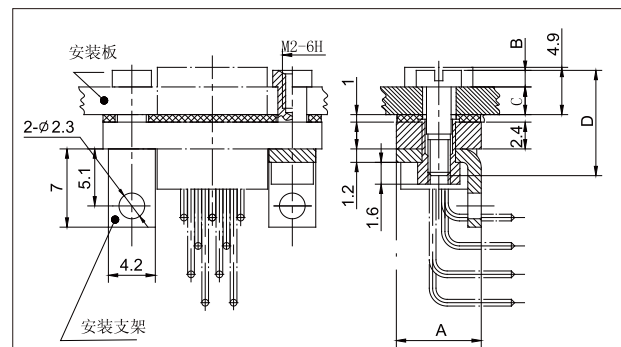
■ P15 P35 Locking assembly

■ The P15 and P35 type locking components are suitable for the J30J-TJW-Q8 / ZKW-Q8 right angle PCB products, with rear mounting

Assembly diagram



Outline dimension drawing



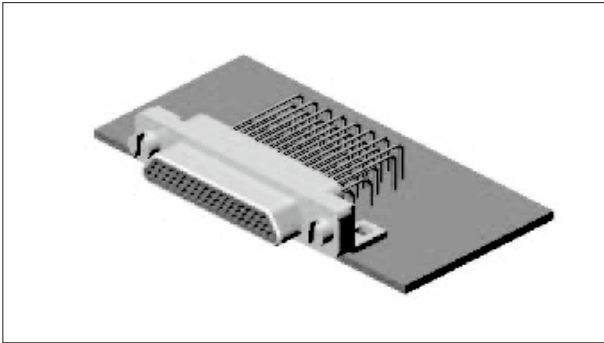
■ P15、P35 Locking assembly

Pin Number	A	B		C		D		Available J30J free end locking assembly L、L7、L9、K type
		P15	P35	P15	P35	P15	P35	
9 ~ 37	7.6	1.9	2.4	2.5	1.8	9.7	9.5	
51	8.7	1.9	2.4	2.5	1.8	9.7	9.5	

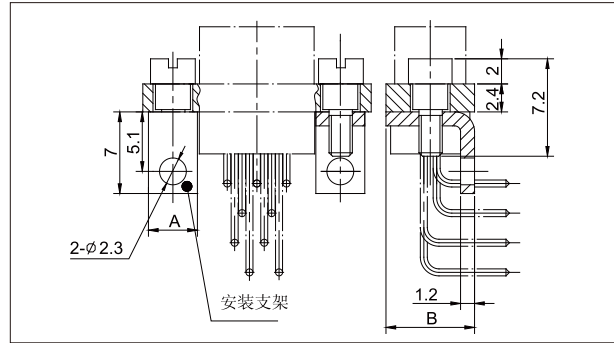
J30J Locking components\J30J Fixed end locking assembly\Locking components for right angle PCB

- V1 Locking assembly
- The V1 locking assembly is only suitable for right angle PCB and do not need to be locked between plugs and receptacles.

Assembly diagram



Outline dimension drawing



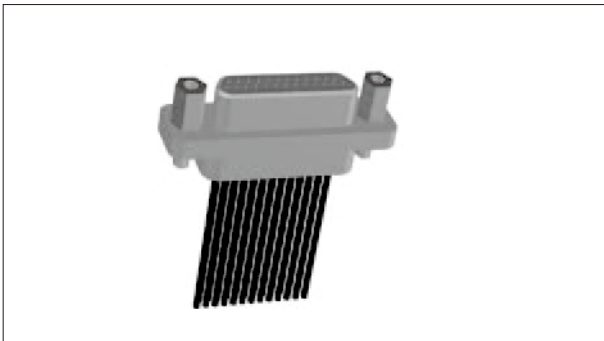
■ Installation Diagram of V1 locking assembly

Pin Number	A	B
9 ~ 37	4.2	7.6
51	4.2	8.7
66	4.2	8.7
74	4.2	9.7
100	8.8	9.7

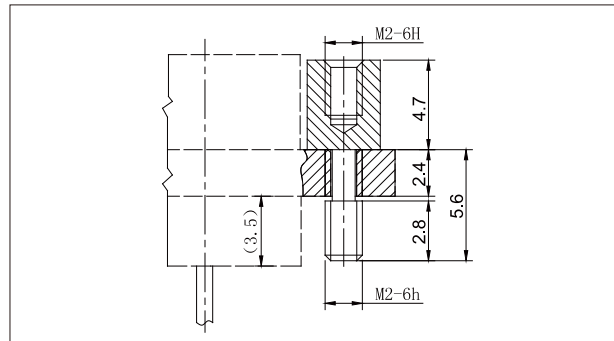
J30J Locking components\J30J Fixed end locking assembly\ For J30JD type

- The mounting screws used for the fixed end of J30JD products are mainly P46, and are only suitable for front mounting.
- P46 Locking assembly

Assembly diagram



Outline dimension drawing



■ Applicable conditions and matching of P46 locking components

J30J Free end locking assembly	Applicable conditions and J30J fixed-end locking components
P46 type	Can only be used on J30JD products. Can be used with L, L7, L9, K-type locking components.

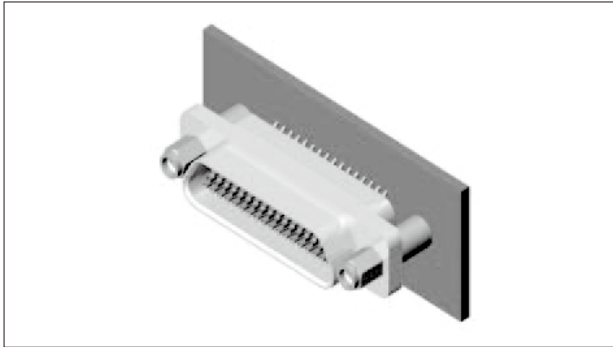
J30J Locking assembly \J30J Fixed end locking assembly\Locking assembly for straight PCB

■ The locking components used for in-line printed board products are mainly P5, P10, P23, P25, P17, P41, V locking components.

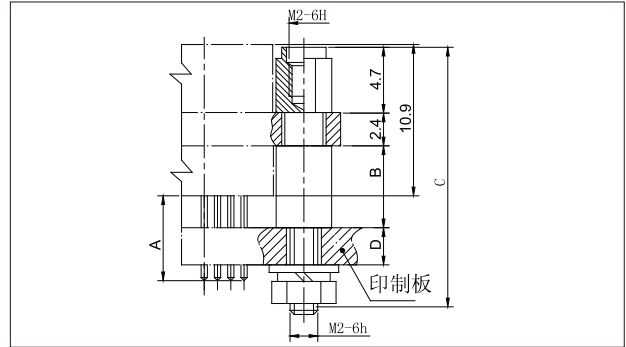
■ P5、P10、P23、P25 type locking assembly

■ P5、P10、P23、P25 locking assembly is only suitable for right angle PCB by front mounting.

Assembly diagram



Outline dimension drawing



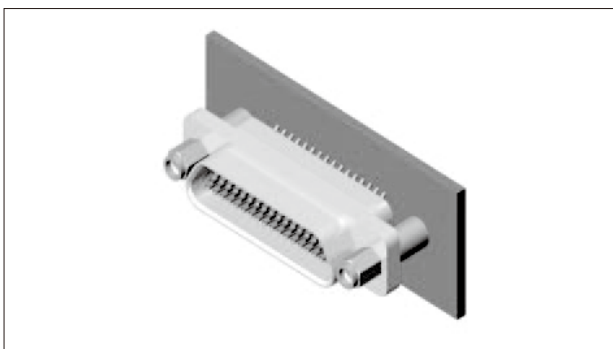
■ P5、P10、P23、P25 type locking assembly

J30J Fixed end locking assembly	A	B	C	Available PCB thickness range	Available J30J free end locking assembly
P5 type	5.7	5.9	18.6	1.6~2.5	L、L7、L9、K type
P10 type	8	8.4	20.5	1.6~2.5	
P25 type	5.7	5.9	20.5	1.6~2.5	
	8	5.9	20.5	1.6~4.8	
P23 type	5.7	5.9	17.8	1.6	

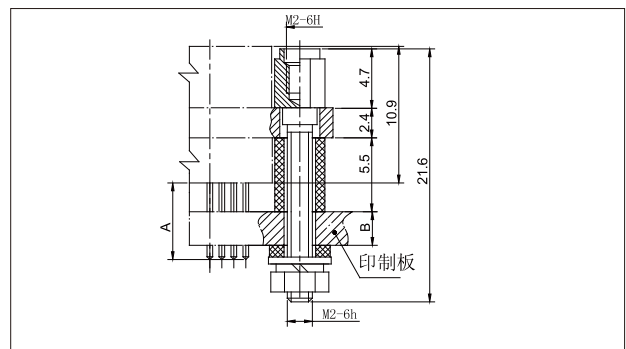
Note: The P10 locking assembly can only be used with J30J-9 ~ 37TJN8 products, but not for J30J-TJN / ZKN, J30J-TJN-J / ZKN-J and other products with pin size A of 5.7 in.

■ P17 type locking assembly

Assembly diagram



Outline dimension drawing



■ P17 type locking assembly

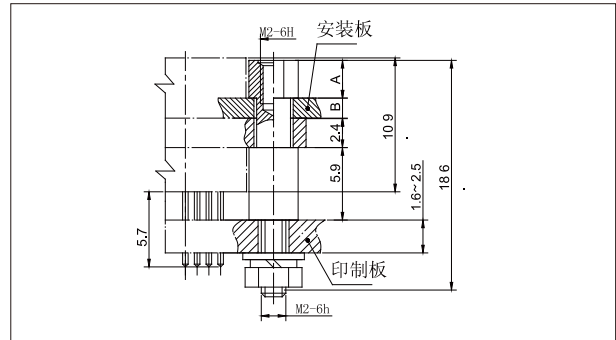
J30J Fixed end locking assembly	A	Available PCB thickness range B	Available J30J free end locking assembly	Applicable product
P17 type	5.7	1.6 ~ 3	L、L7、L9、K type	J30J-9 ~ 51TJN/ZKN、 J30J-9 ~ 100TJN/ZKN-J
	7.2	1.6 ~ 4.5		J30J-9 ~ 51TJN4/ZKN4、 J30J-9 ~ 100ZKN4-J

- P32、 P41 Locking components
- P32 and P41 locking components are suitable for straight PCB products by rear mounting、 PCB thickness 1.6~2.5.

Assembly diagram



Outline dimension drawing



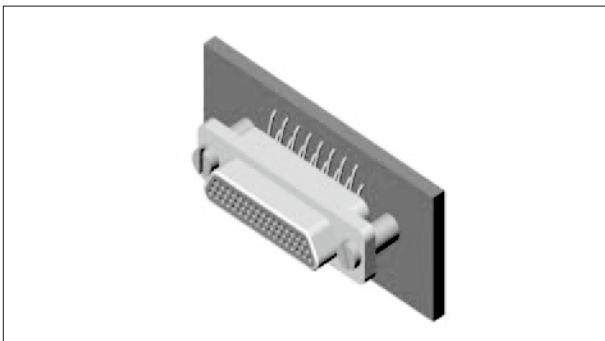
■ P32、 P41 locking components

J30J Fixed end locking assembly	A	B	Available J30J free end locking assembly
P32 type	2.7	2	L、 L7、 L9、 K type
P41 type	3.2	1.5	L、 L7、 L9、 K type

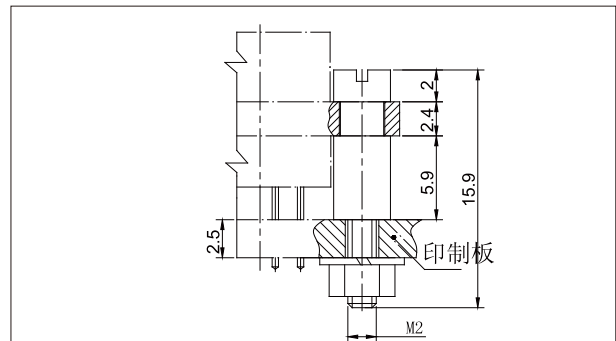
■ V type Locking components

- The V type locking component is suitable for straight PCB products that do not need to be locked between plugs and receptacles, and the PBC thickness is not more than 2.5mm.

Assembly diagram



Outline dimension drawing



J30J-74 pin special right angle PCB products

■ Special right angle PCB products, the pin grid spacing is 2.54×2.54 . Such products are only suitable for rear mounting, not front mounting.

■ Receptacle J30J-74ZKW-S, J30J-74ZKW4-S, J30J-74ZKW(14)-S, J30J-74ZKW4(14)-S

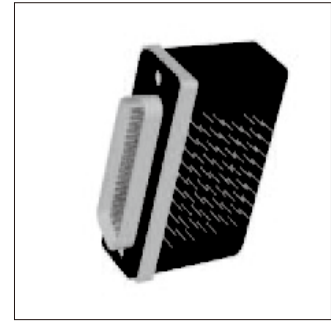
Stereogram



J30J-74ZKW-S

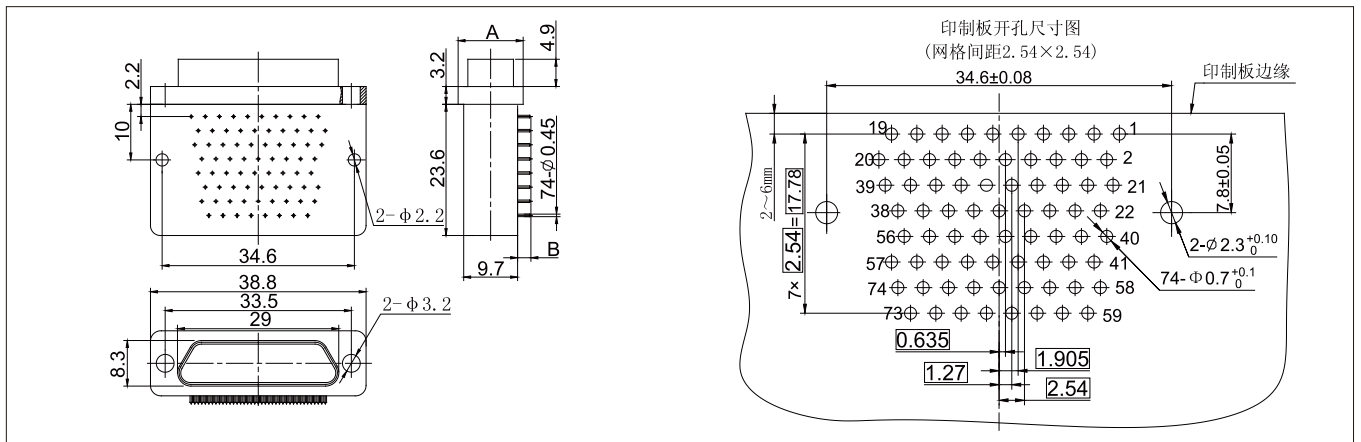


J30J-74ZKW4-S



J30J-74ZKW4(14)-S

Outline dimension drawing



Receptacle Model	A	B	Remark
J30J-74ZKW-S	9.7	2.4	J30J-74ZKW(14)-S and J30J-74ZKW 4(14)-S are equipped with rubber pads on the housing flange, while those of J30J-74ZKW-S and J30J-74ZKW4-S are not. The mounting screws that can be used with the products listed in this table are listed after this clause.
J30J-74ZKW (14) -S	14	2.4	
J30J-74ZKW4-S	9.7	3.5	
J30J-74ZKW4 (14) -S	14	3.5	

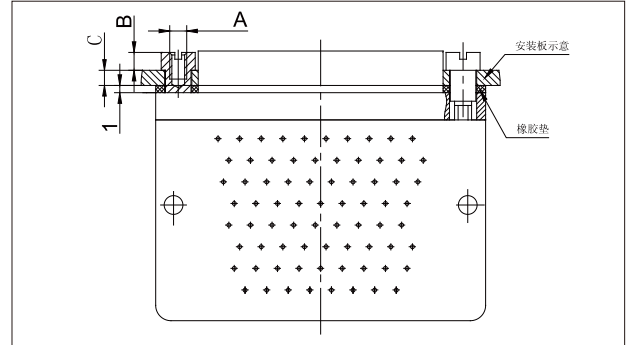
J30J-74 pin special right angle PCB products

- Locking components
- See the table below for the mounting screws and applicable conditions of each model.

Assembly diagram



Outline dimension drawing



- J30J-74ZKW-S and J30J-74ZKW4-S products are equipped with the following mounting screws:

J30J Fixed end locking assembly	Screw code	Thread size A	B	Mounting plate thickness C	Remark	Available J30J free end locking assembly
P	Ln8. 919. 034	M2-6H	4. 7	No Mounting plate	without rubber mat	L、 L7、 L9、 K type
P0	Ln8. 919. 077	M2-6H	4. 1	0. 6	without rubber mat	L、 L7、 L9、 K type
P3	Ln8. 919. 078	M2-6H	3. 3	1. 4	without rubber mat	L、 L7、 L9、 K type
P4	Ln8. 919. 057	M2-6H	2. 5	2. 2	without rubber mat	L、 L7、 L9、 K type
P11	Ln8. 919. 076	M2-6H	1. 3	3. 4	without rubber mat	L、 L7、 L9、 K type
P1	Ln8. 919. 027	#2-56UNC-2B	4. 7	No Mounting plate	without rubber mat	L8、 K1 type

- J30J-74ZKW (14) -S and J30J-74ZKW4 (14) -S products are equipped with the following mounting screws:

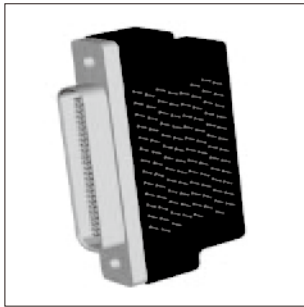
J30J Fixed end locking assembly	Screw code	Thread size A	B	Mounting plate thickness C	Remark	Available J30J free end locking assembly
P4	Ln8. 919. 057	M2-6H	2. 5	1. 4~1. 6	with rubber mat	L、 L7、 L9、 K type
P11	Ln8. 919. 076	M2-6H	1. 3	2. 6~2. 8	with rubber mat	L、 L7、 L9、 K type

J30J-100 pin special right angle PCB products

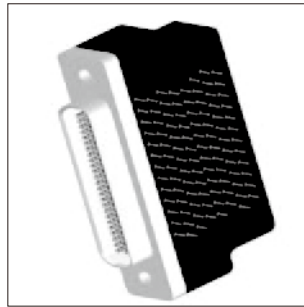
■ Special right angle PCB products, the pin grid spacing is 2.54 × 2.54. Such products are only suitable for rear mounting, not front mounting.

■ Receptacle J30J-100ZKW-S、 J30J-100ZKW(12)-S、 J30J-100ZKW(14)-S、 J30J-100ZKW4-S、 J30J-100ZKW4(12)-S、 J30J-100ZKW4(14)-S

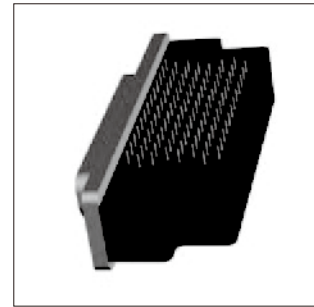
Stereogram



J30J-100ZKW-S

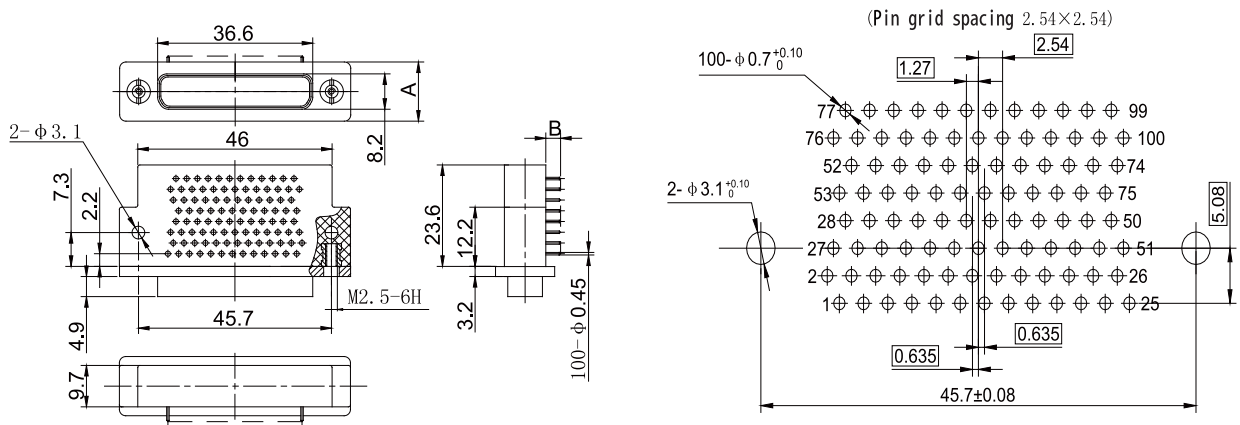


J30J-100ZKW4(12)-S



J30J-100ZKW(14)-S

Outline dimension drawing



P/N	A	B
J30J-100ZKW-S	9.7	2.4
J30J-100ZKW(12)-S	12	2.4
J30J-100ZKW(14)-S	14	2.4
J30J-100ZKW4-S	9.7	3.5
J30J-100ZKW4(12)-S	12	3.5
J30J-100ZKW4(14)-S	14	3.5

J30J-100 pin special right angle PCB products

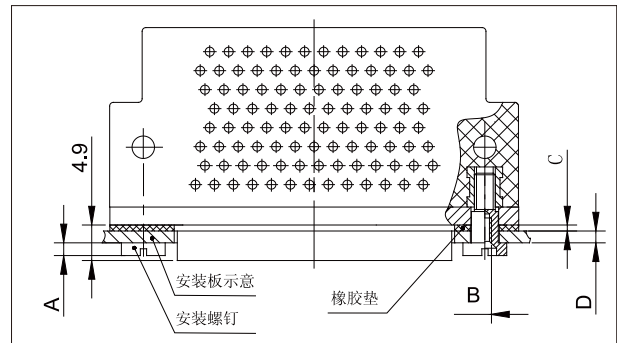
■ Locking components

■ J30J-100ZKW-S、 J30J-100ZKW4-S、 J30J-100ZKW(12)-S、 J30J-100ZKW4(12)-S、 J30J-100ZKW(14) -S、 J30J-100ZKW4(14)-S and other products can be equipped with P16, P26, P34, P39, P12 and other locking components. The product model is determined according to the state of the locking component model after joining, for example, J30J-100ZKW4(14)-S is equipped with P16 type mounting screws and the product model is J30J-100ZKW4(14)P16-S. The rest are similar.

Assembly diagram



Outline dimension drawing



■ P16、 P26、 P34、 P39、 P12 Locking components

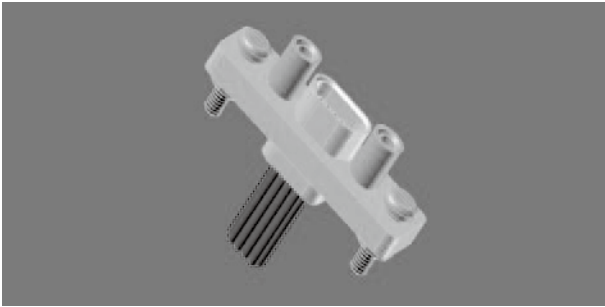
J30J Fixed end locking assembly	A	B	Rubber pad thickness C	Mounting plate thickness D	Note	ailable J30J free end locking assembly
P16 type	1.6	#4-40UNC-2B	1	2~2.4	with rubber pad	L2、 L3 type
P26 type	1.6	M2. 5-6H	□□	2.8	without rubber pad	L、 L7、 L9、 K type
P34 type	3	#4-40UNC-2B	1	1.8~2	with rubber pad	L2、 L3 type
P39 type	3	M2-6H	□□	1.6~1.8	without rubber pad	L、 L7、 L9、 K type
P12 type	4.1	#4-40UNC-2B	□□	0.6~0.8	without rubber pad	L2、 L3 type

J30J series with guide J30J- × ZK-I receptacle and J30J- × TJ-M plug products

■ J30J- × ZK-I socket with positioning guide sleeve, J30J- × TJ-M plug with positioning guide post; J30J- × ZK-I socket and the corresponding number of J30J- × TJ-M plugs must be used together, with good Positioning guidance function.

■ Contacts: 9、15、21、25、31、37、51、66、74、100。

Stereogram

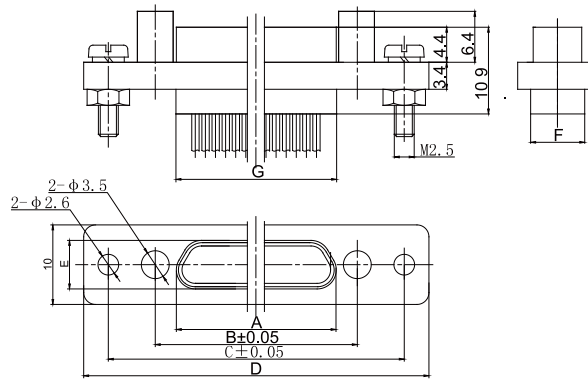


J30J - ×ZK-I (9 Pin as an example)



J30J-×TJ-M (9 Pin as an example)

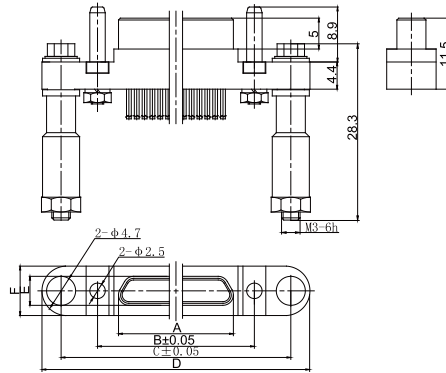
Outline dimension drawing



J30J-×ZK-I

P/N	A	B	C	D	E	F	G
J30J-9ZK-I	9.8	15.1	26.9	33.1	6.1	6.8	9.9
J30J-15 ZK-I	13.7	19.1	30.9	37.1	6.1	6.8	13.8
J30J-21 ZK-I	17.4	22.8	34.6	40.8	6.1	6.8	17.6
J30J-25 ZK-I	20	25.4	37.2	43.4	6.1	6.8	20.2
J30J-31 ZK-I	23.8	29.2	41	47.2	6.1	6.8	24
J30J-37 ZK-I	27.7	33	45.3	50	6.1	6.8	27.8
J30J-51 ZK-I	26.5	31.8	43.6	50	7.2	7.9	26.6
J30J-66 ZK-I	32.9	38.3	50.1	56.5	7.2	7.9	33
J30J-74 ZK-I	29	34.3	46.1	52.5	8.3	9.1	29.1
J30J-100ZK-I	36.6	41.9	53.7	60	8.2	9.1	36.65

Outline dimension drawing



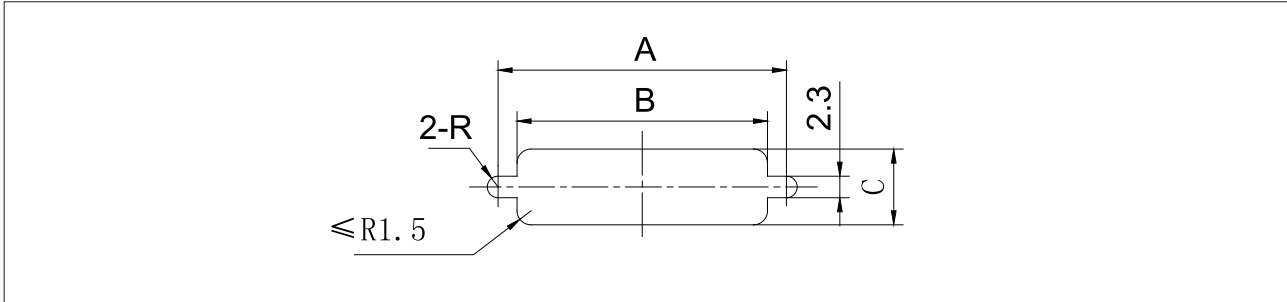
J30J-xTJ-M

P/N	A	B	C	D	E	F
J30J-9TJ-M	8.3	15.1	26.9	33.1	4.7	8
J30J-15TJ-M	12.3	19.1	30.9	37.1	4.7	8
J30J-21TJ-M	16	22.8	34.6	40.8	4.7	8
J30J-25TJ-M	18.6	25.4	37.2	43.4	4.7	8
J30J-31TJ-M	22.4	29.2	41	47.2	4.7	8
J30J-37TJ-M	26.3	33	44.8	51	4.7	8
J30J-51TJ-M	25	31.8	43.6	50	5.8	10
J30J-66TJ-M	31.4	38.3	50.1	56.5	5.8	10
J30J-74TJ-M	27.5	34.3	46.1	52.5	6.8	10
J30J-100TJ-M	35	41.9	53.7	60	6.8	10

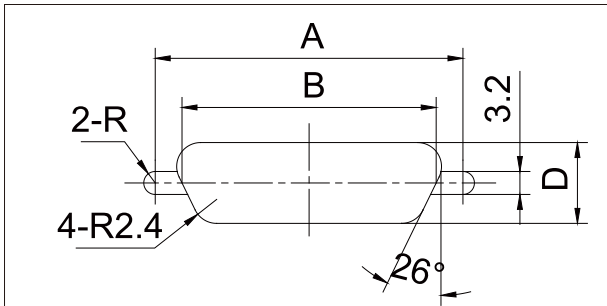
J30J series micro rectangular electrical connector\Mounting cutout dimensions

- J30J-TJ/ZK J30J-TJ/ZK-D J30J-TJ/ZK-G J30J-TJ/ZK(9.6) J30J-TJ/ZK(11.6)
- J30J-TJ/ZK(0.07) J30JC-TJ/ZK J30JM-ZK J30JM-ZKS J30JM1-ZKS

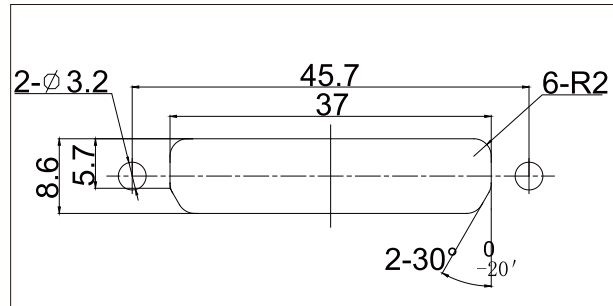
Mounting cutout dimensions



Front mounting cutout dimensions



Rear mounting cutout dimensions (Except for 100 Pin)



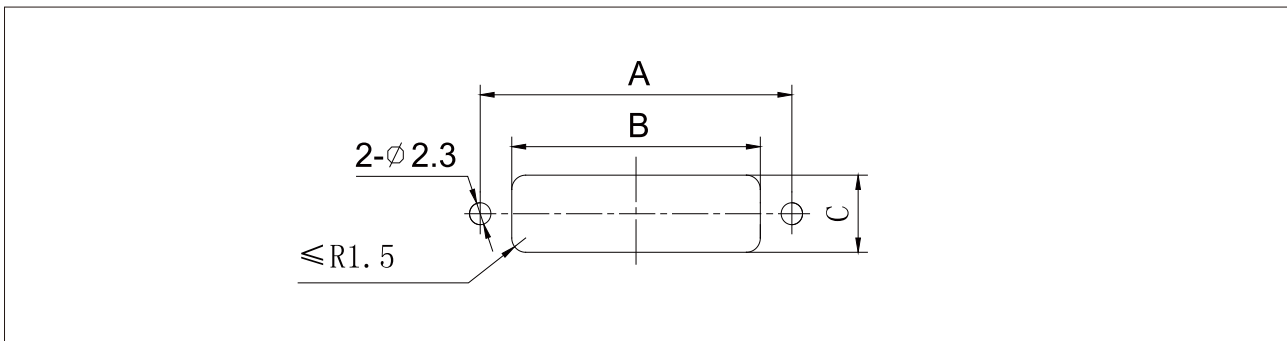
100 Pin Rear mounting cutout dimensions

Contact Number	A	B	C	D	Contact Number	A	B	C	D
9 pin	14.3	10.2	7	6.3	37 pin	32.2	28.1	7	6.3
15 pin	18.2	14.1	7	6.3	51 pin	30.86	26.9	8.1	7.4
21 pin	22	17.9	7	6.3	66 pin	37.3	33.4	8.1	7.4
25 pin	24.5	20.5	7	6.3	74 pin	33.5	29.4	9.3	8.6
31 pin	28.3	24.3	7	6.3	100 pin	45.7	37	9.3	/

Note: Since J30JM-ZK, J30JM-ZKS, J30JM1-ZK are all sealed products, although the mounting plate openings can achieve product installation as shown above, it may be lost due to the through plate. To this end, these products should be installed in the form of blind threaded holes for mounting plate openings in front of the board.

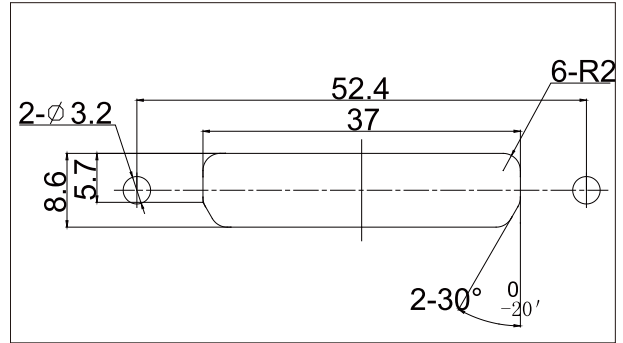
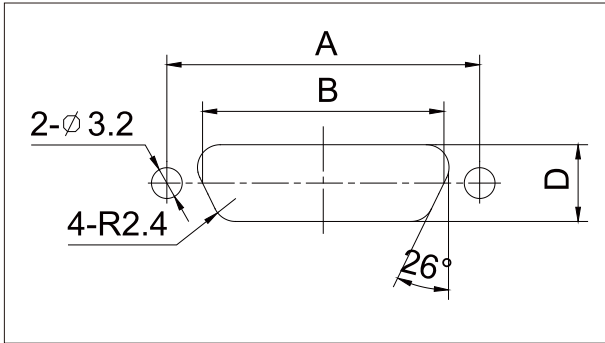
- J30J-TJ/ZK-Q、 J30J-TJ/ZK-GQ、 J30JC-ZK-Q

Mounting cutout dimensions



Front mounting cutout dimensions

Mounting cutout dimensions



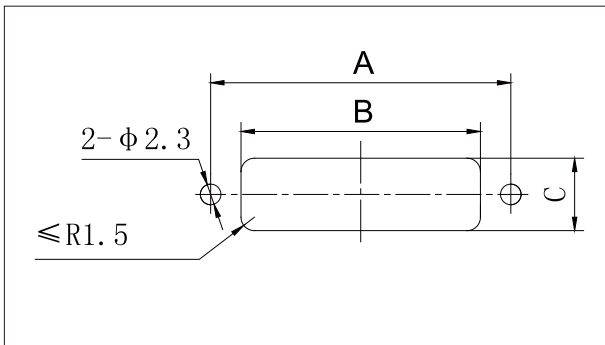
Rear mounting cutout dimensions (Except for 100 Pin)

100 Pin Rear mounting cutout dimensions

Contact Number	A	B	C	D	Contact Number	A	B	C	D
9 Pin	21	10.2	7	6.3	37 Pin	38.9	28.1	7	6.3
15 Pin	24.9	14.1	7	6.3	51 Pin	37.6	26.9	8.1	7.4
21 Pin	28.7	17.9	7	6.3	66 Pin	44	33.4	8.1	7.4
25 Pin	31.2	20.5	7	6.3	74 Pin	40.2	29.4	9.3	8.6
31 Pin	35	24.3	7	6.3	100 Pin	52.4	37	9.3	/

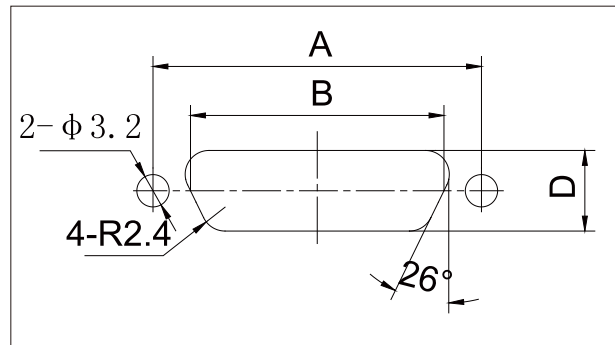
■ J30J-TJ/ZK-Q8

Mounting cutout dimensions



Front mounting cutout dimensions

Mounting cutout dimensions

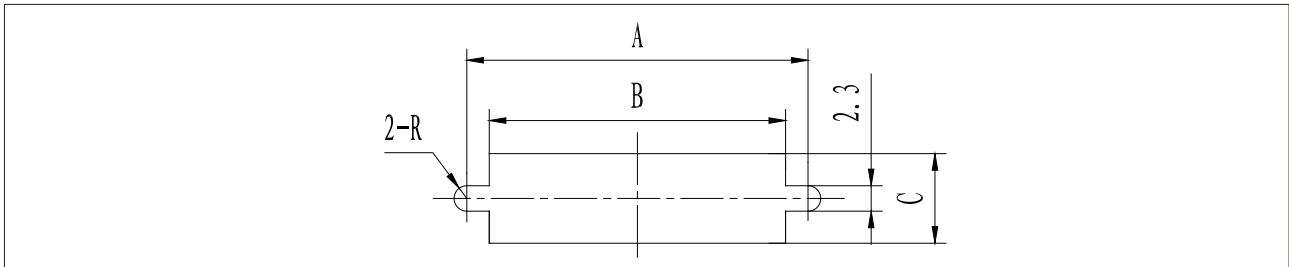


Rear mounting cutout dimensions

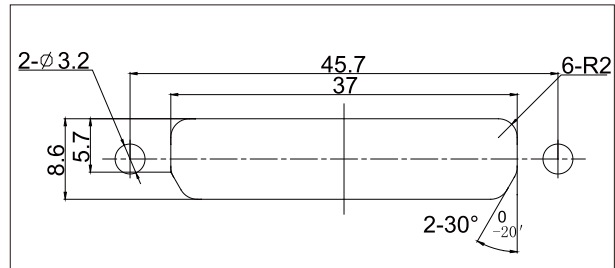
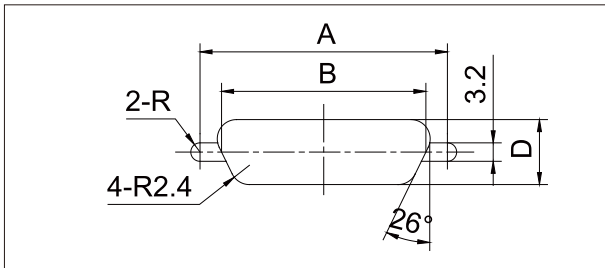
Contact Number	A	B	C	D	Contact Number	A	B	C	D
9 Pin	16.1	12	7	6.3	31 Pin	30.1	26.1	7	6.3
15 Pin	20	15.9	7	6.3	37 Pin	34	29.9	7	6.3
21 Pin	23.8	19.7	7	6.3	51 Pin	32.6	28.7	8.1	7.4
25 Pin	26.3	22.3	7	6.3					

■ J30J-TJ/ZK-A J30J-TJ/ZK-AD J30J-TJ/ZK-GA
 J30J-TJ/ZK-A(9.6) J30J-TJ/ZK-GA(11.6) J30J-TJ/ZK-AD(11.6)

Mounting cutout dimensions



Front mounting cutout dimensions



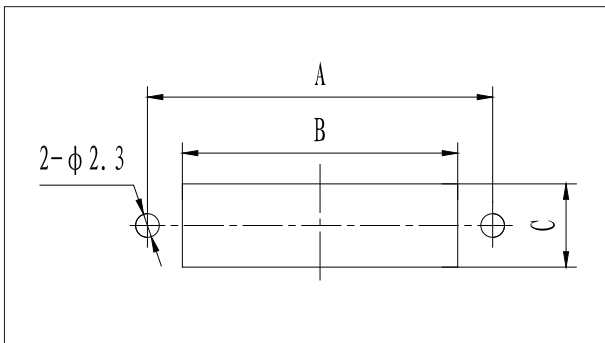
Rear mounting cutout dimensions (Except for 100 Pin)

100 Pin Rear mounting cutout dimensions

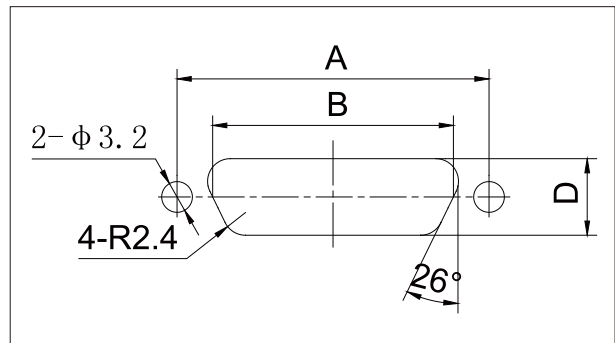
Contact Number	A	B	C	D	Contact Number	A	B	C	D
9 Pin	14.3	10.2	8.2	6.3	37 Pin	32.2	28.1	8.2	6.3
15 Pin	18.2	14.1	8.2	6.3	51 Pin	30.86	26.9	9.2	7.4
21 Pin	22	17.9	8.2	6.3	66 Pin	37.3	33.4	9.2	7.4
25 Pin	24.5	20.5	8.2	6.3	74 Pin	33.5	29.4	11.2	8.6
31 Pin	28.3	24.3	8.2	6.3	100 Pin	45.7	37	11.2	/

■ J30J-TJ/ZK-AQ8

Mounting cutout dimensions



Mounting cutout dimensions



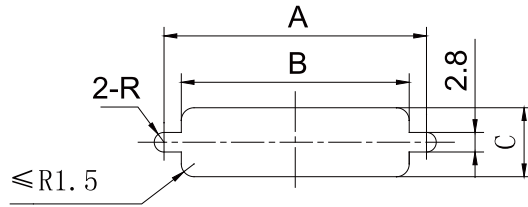
Front mounting cutout dimensions

Rear mounting cutout dimensions

Contact Number	A	B	C	D	Contact Number	A	B	C	D
9 Pin	16.1	10.2	8.2	6.3	31 Pin	30.1	24.3	8.2	6.3
15 Pin	20	14.1	8.2	6.3	37 Pin	34	28.1	8.2	6.3
21 Pin	23.8	17.9	8.2	6.3	51 Pin	32.6	26.9	9.2	7.4
25 Pin	26.3	20.5	8.2	6.3					

■ J30JA-ZK

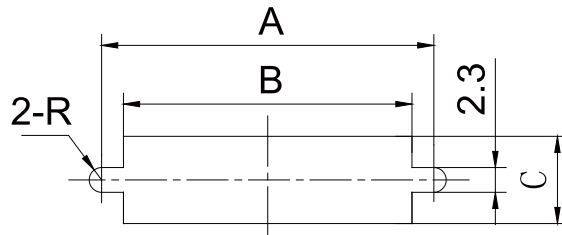
Front mounting cutout dimensions



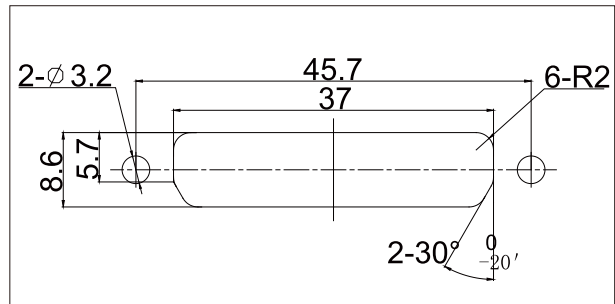
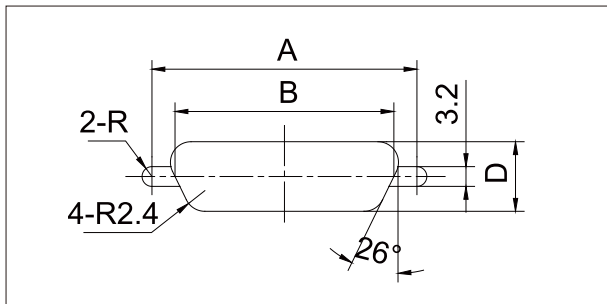
Contact Number	A	B	C	Contact Number	A	B	C
9 Pin	18.6	10.2	7	51 Pin	35.3	26.9	8.1
15 Pin	22.6	14.1	7	66 Pin	41.7	33.5	8.1
21 Pin	26.3	17.9	7	74 Pin	37.8	29.4	9.3
25 Pin	28.9	20.5	7	100 Pin	45.3	37	9.3
31 Pin	32.7	24.3	7	144 Pin	59.3	51	9.3
37 Pin	36.6	28.1	7				

■ J30J-TJ/ZK-C

Mounting cutout dimensions



Front mounting cutout dimensions



Rear mounting cutout dimensions (Except for 100 Pin)

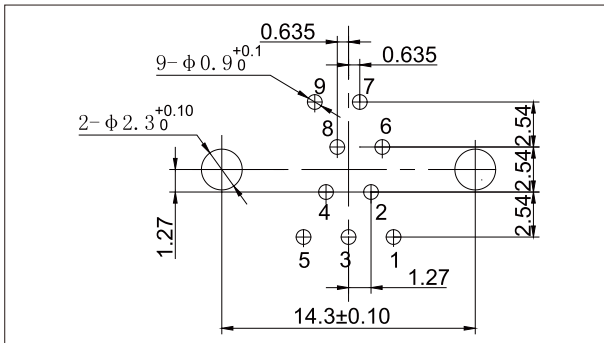
100 Pin Rear mounting cutout dimensions

Contact Number	A	B	C	D	Contact Number	A	B	C	D
9 Pin	14.3	10.2	8.2	6.3	37 Pin	32.2	28.1	8.2	6.3
15 Pin	18.2	14.1	8.2	6.3	51 Pin	30.86	26.9	9.3	7.4
21 Pin	22	17.9	8.2	6.3	66 Pin	37.3	33.4	9.3	7.4
25 Pin	24.5	20.5	8.2	6.3	74 Pin	33.5	29.4	10.3	8.6
31 Pin	28.3	24.3	8.2	6.3	100 Pin	45.7	37	10.3	/

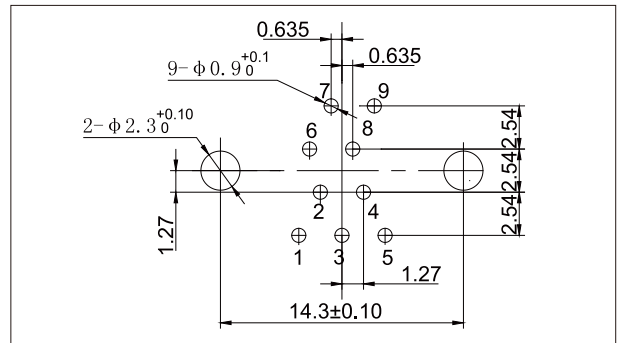
J30J series micro rectangular electrical connector\PCB mounting cutout dimensions

■ J30J Straight PCB N、N3、N4、N8 type

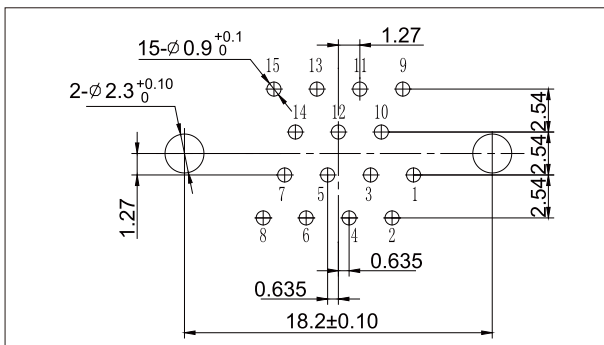
PCB mounting cutout dimensions drawing



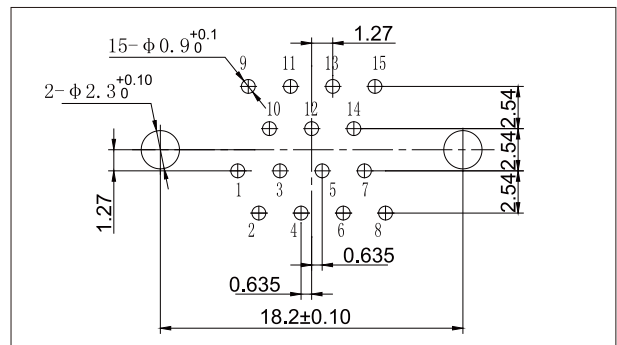
J30J-9TJN、TJN4、TJN8



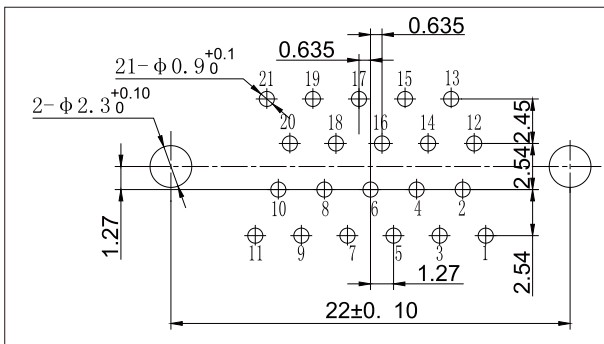
J30J-9ZKN、ZKN3、ZKN4



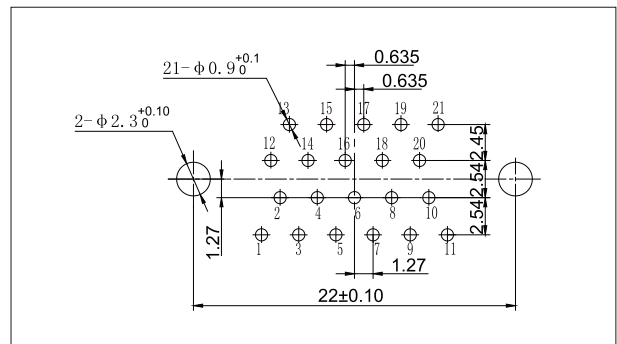
J30J-15TJN、TJN4、TJN8



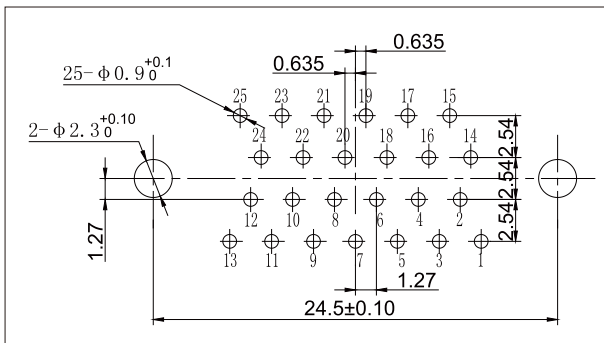
J30J-15ZKN、ZKN3、ZKN4



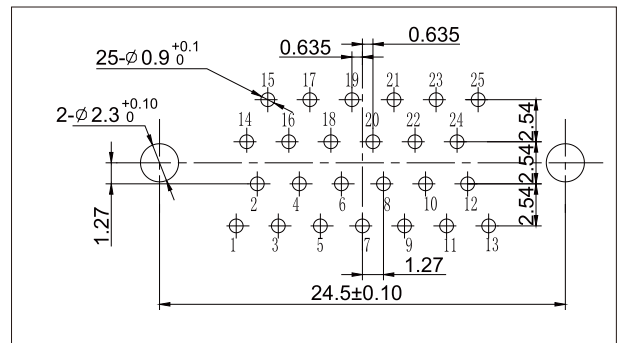
J30J-21TJN、TJN4、TJN8



J30J-21ZKN、ZKN3、ZKN4

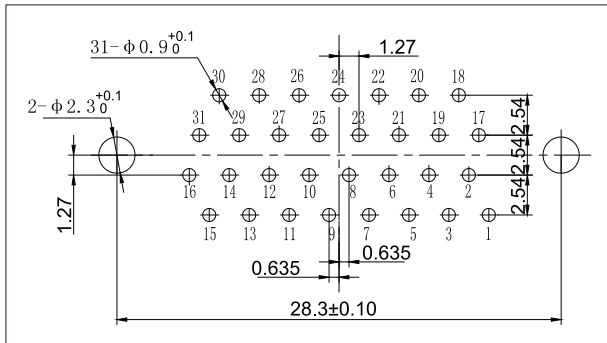


J30J-25TJN、TJN4、TJN8

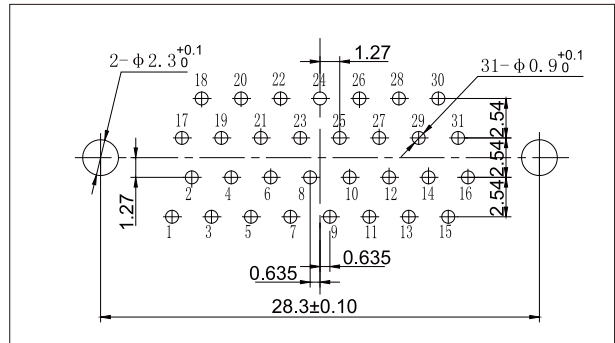


J30J-25ZKN、ZKN3、ZKN4

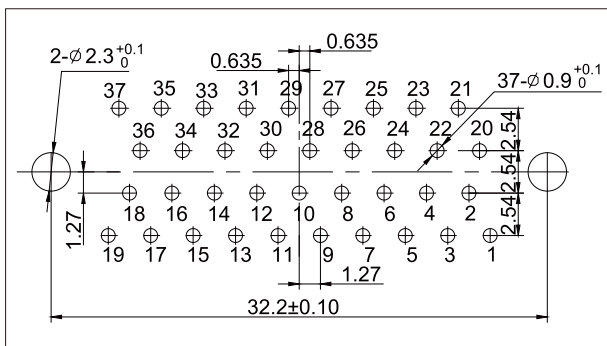
PCB mounting cutout dimensions drawing



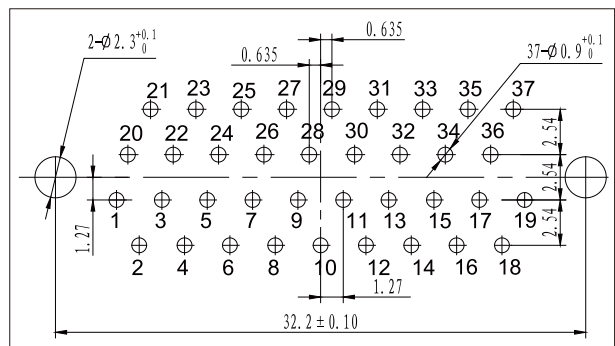
J30J-31TJN, TJN4, TJN8



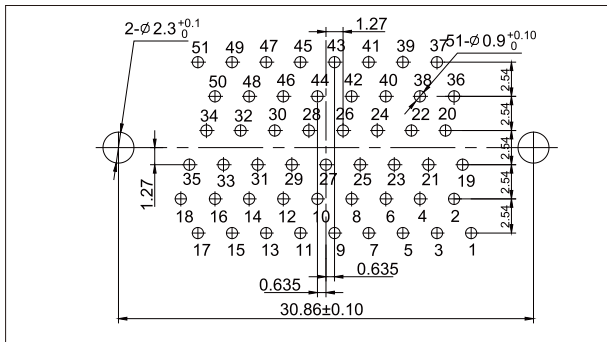
J30J-31ZKN, ZKN3, ZKN4



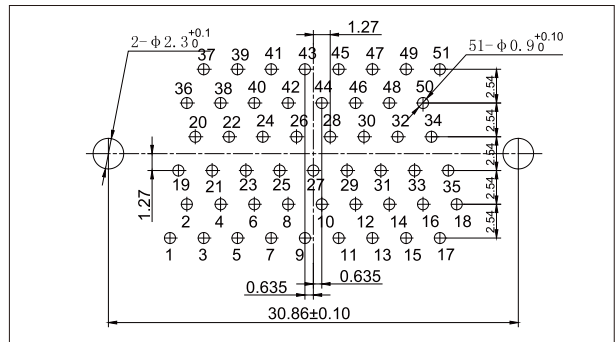
J30J-37TJN, TJN4, TJN8



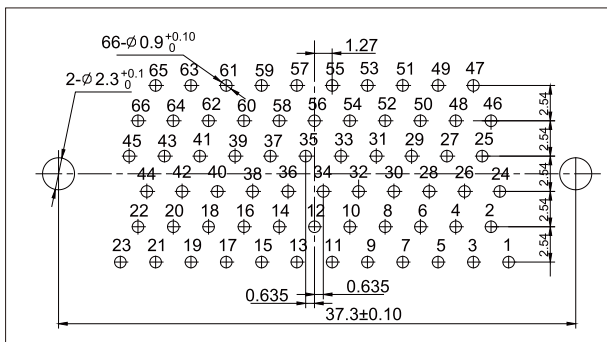
J30J-37ZKN, ZKN3, ZKN4



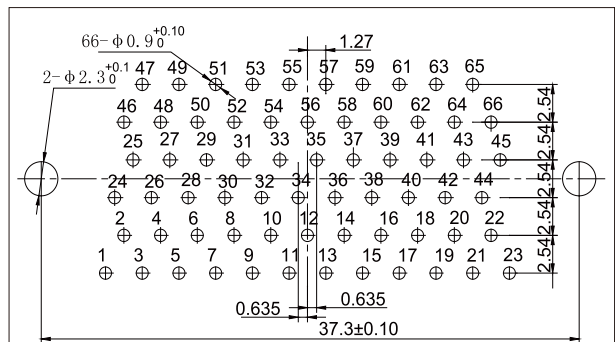
J30J-51TJN, TJN4



J30J-51ZKN, ZKN3, ZKN4



J30J-66TJN, TJN4

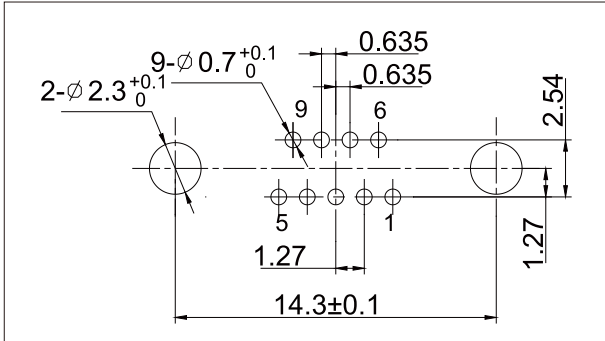


J30J-66ZKN, ZKN3, ZKN4

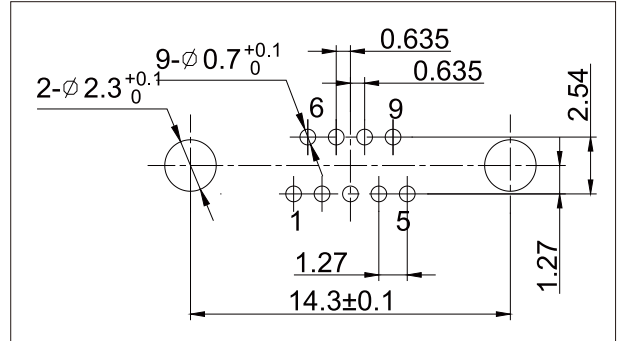
J30J series micro rectangular electrical connector\PCB mounting cutout dimensions

■ J30J Straight PCB N-J、N4-J type

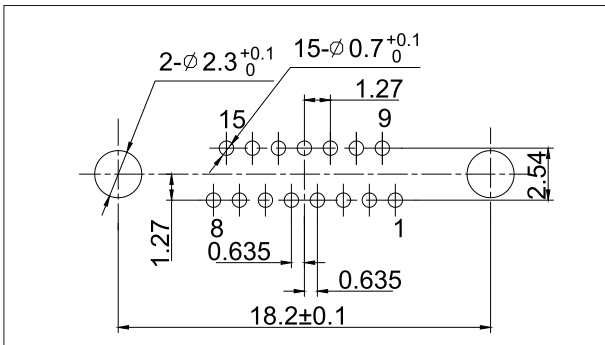
PCB mounting cutout dimensions drawing



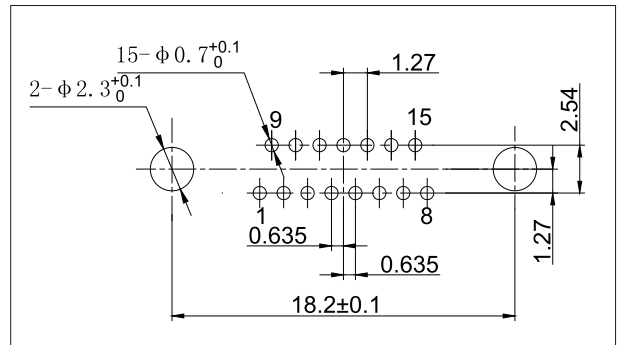
J30J-9TJN-J



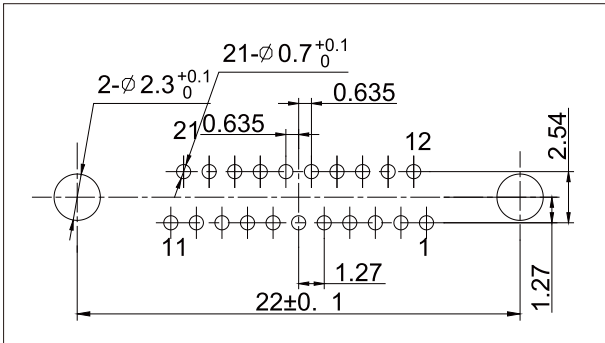
J30J-9ZKN-J、ZKN4-J



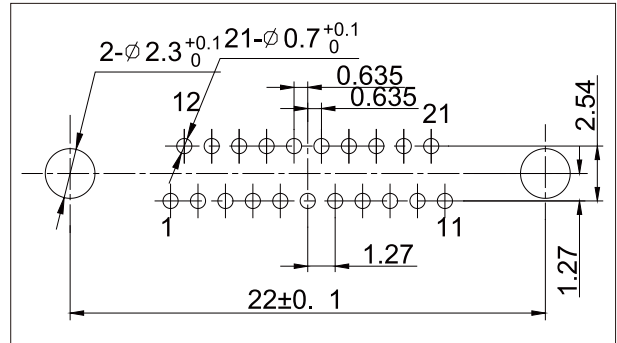
J30J-15TJN-J



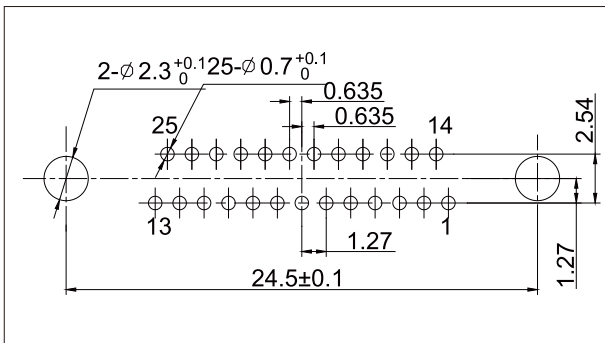
J30J-15ZKN-J、ZKN4-J



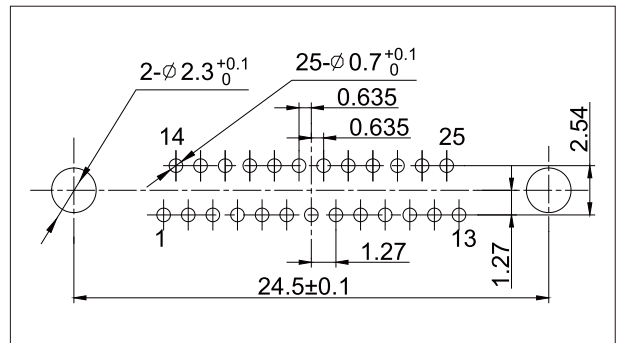
J30J-21TJN-J



J30J-21ZKN-J、ZKN4-J

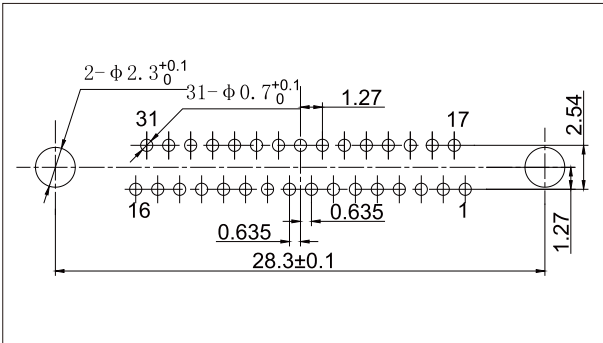


J30J-25TJN-J

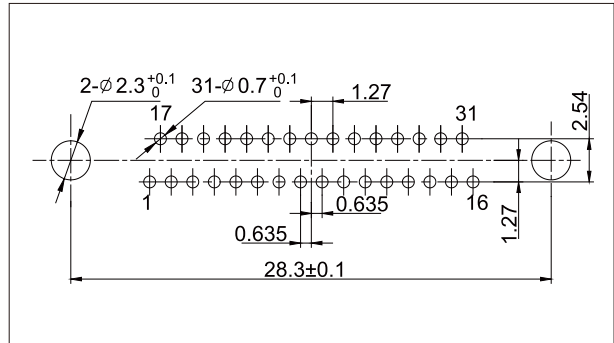


J30J-25ZKN-J、ZKN4-J

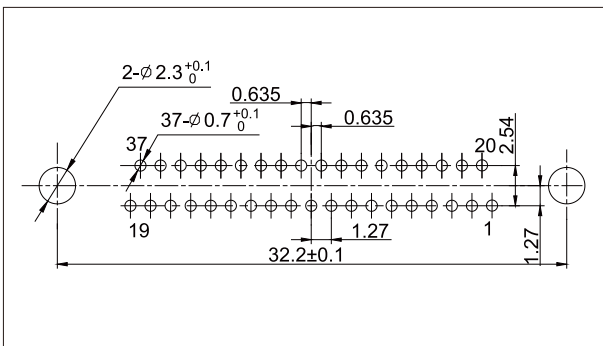
PCB mounting cutout dimensions drawing



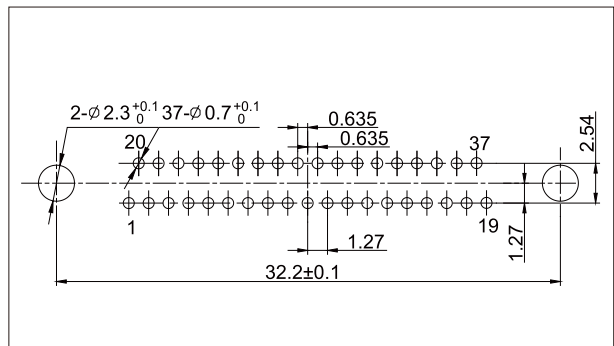
J30J-31TJN-J



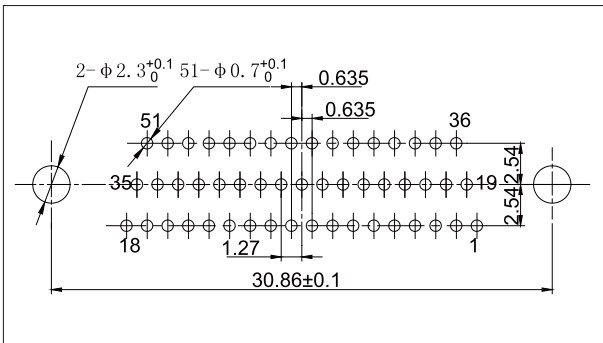
J30J-31ZKN-J、ZKN4-J



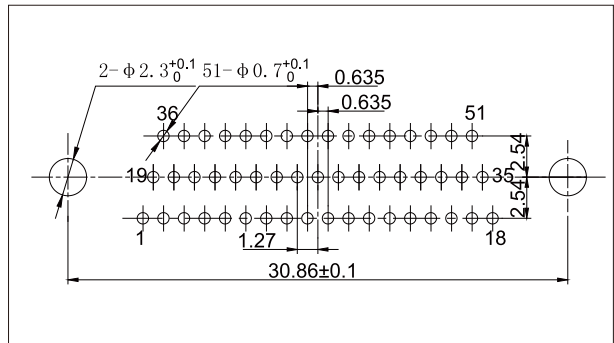
J30J-37TJN-J



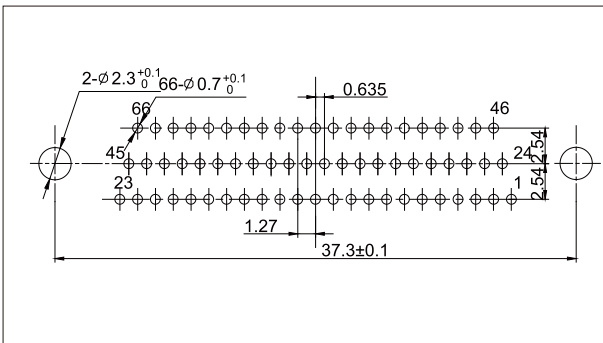
J30J-37ZKN-J、ZKN4-J



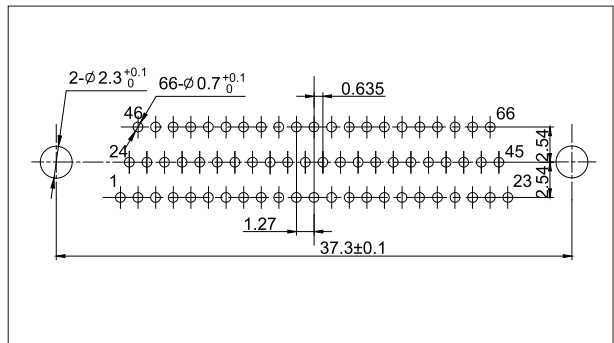
J30J-51TJN-J



J30J-51ZKN-J、ZKN4-J

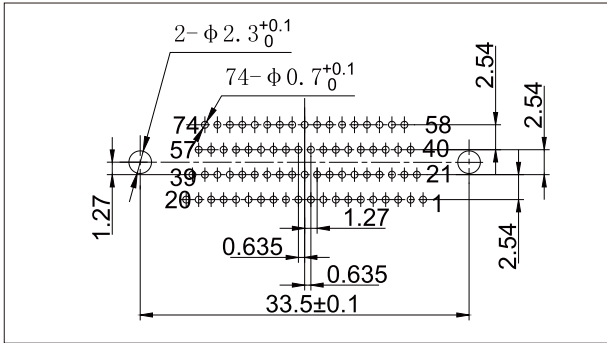


J30J-66TJN-J

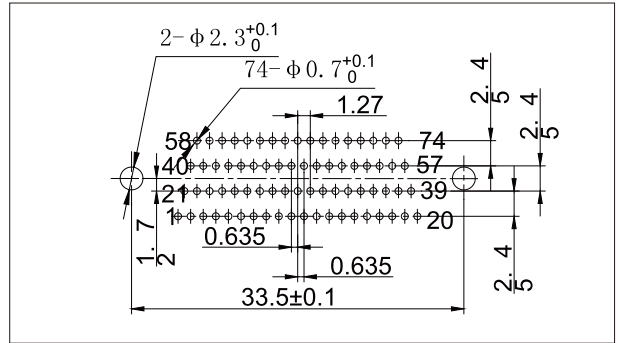


J30J-66ZKN-J、ZKN4-J

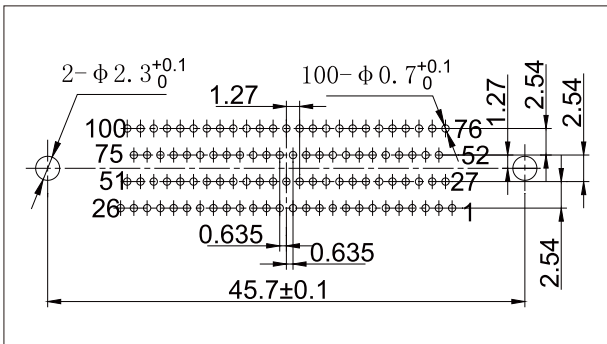
PCB mounting cutout dimensions drawing



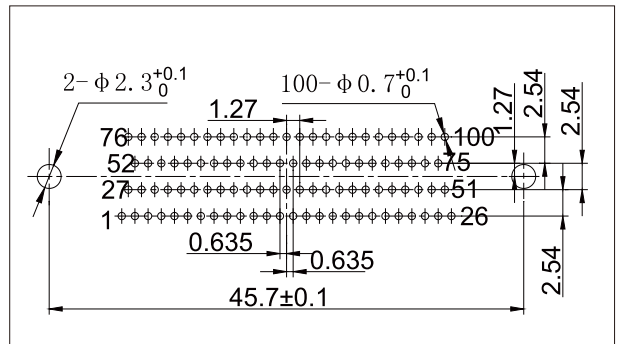
J30J-74TJN-J



J30J-74ZKN-J、ZKN4-J



J30J-100TJN-J

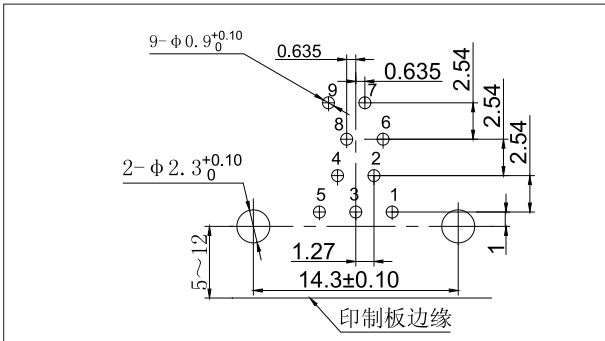


J30J-100ZKN-J、ZKN4-J

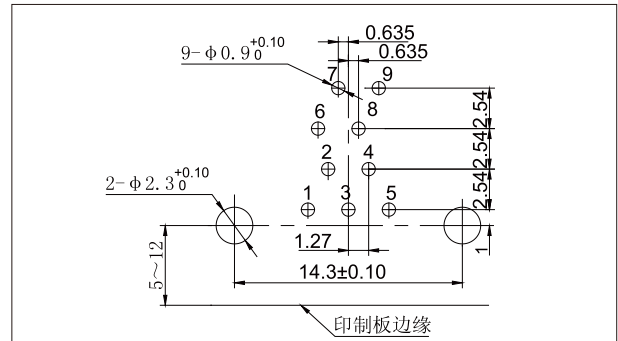
J30J series micro rectangular electrical connector\PCB mounting cutout dimensions

■ J30J Right angle PCB W type

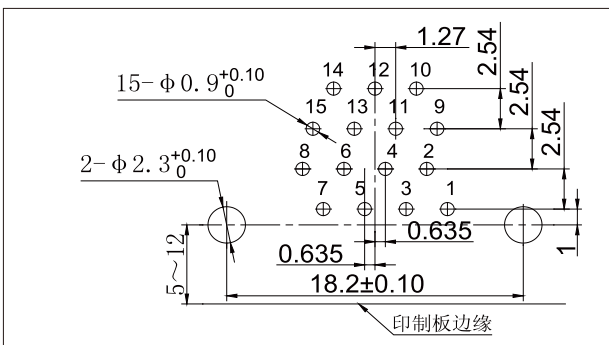
PCB mounting cutout dimensions drawing



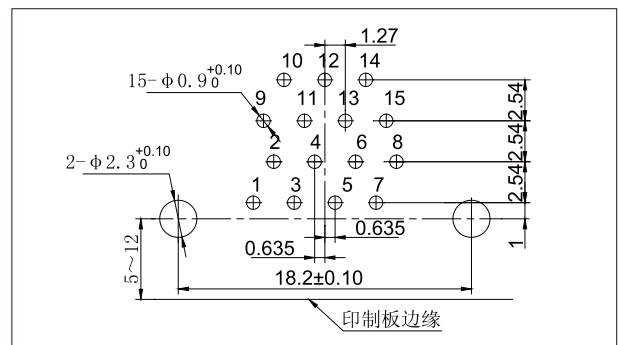
J30J-9TJW



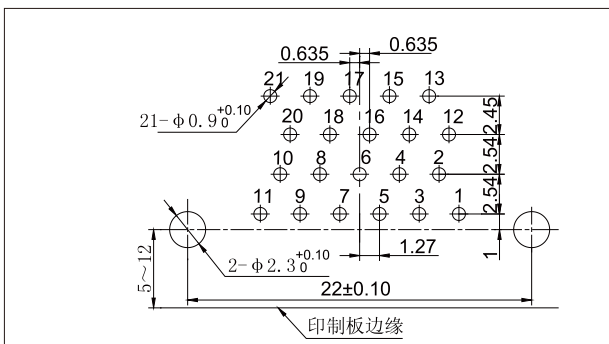
J30J-9ZKW



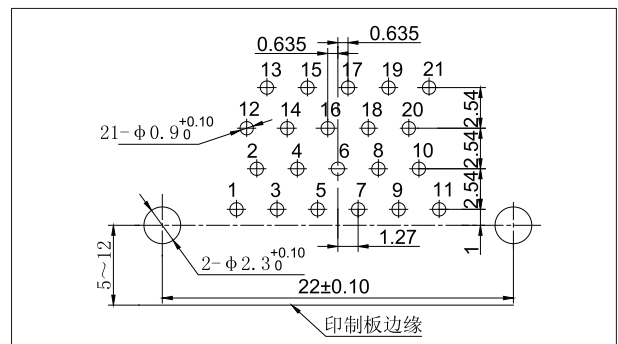
J30J-15TJW



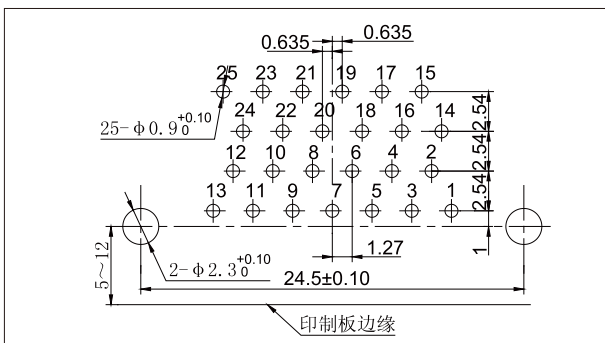
J30J-15ZKW



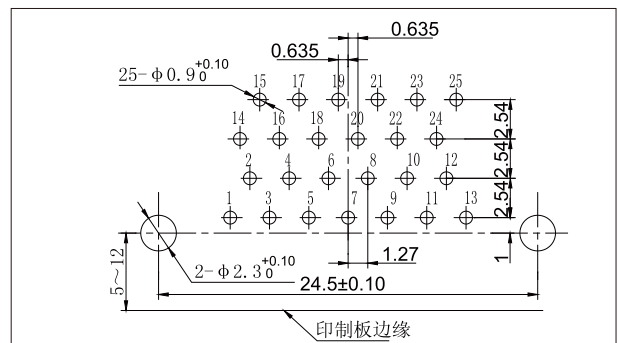
J30J-21TJW



J30J-21ZKW

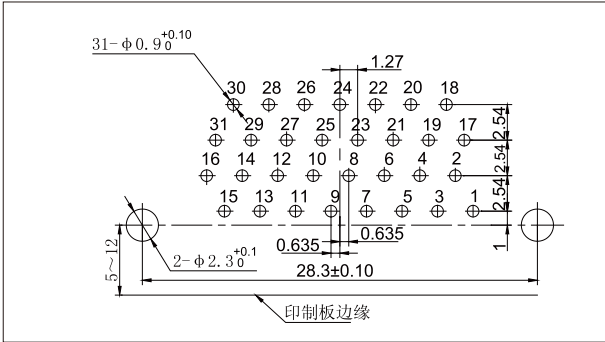


J30J-25TJW

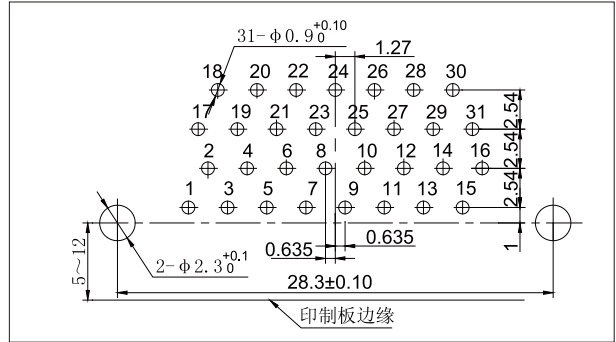


J30J-25ZKW

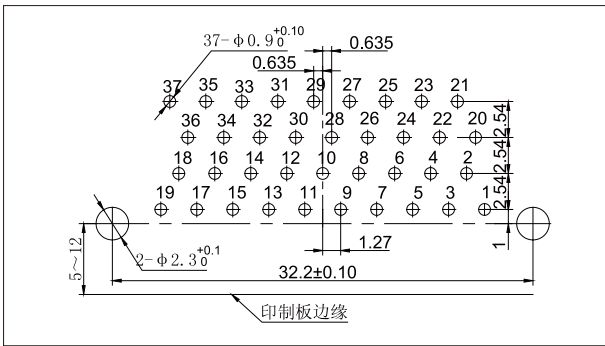
PCB mounting cutout dimensions drawing



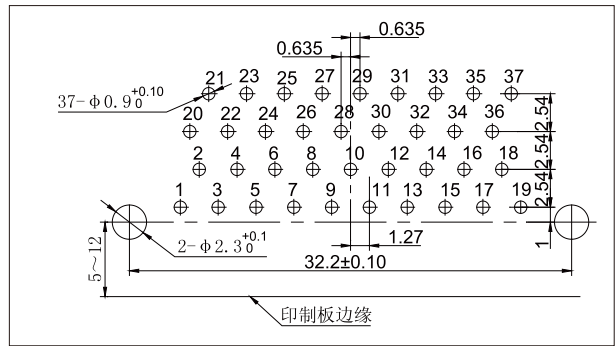
J30J-31TJW



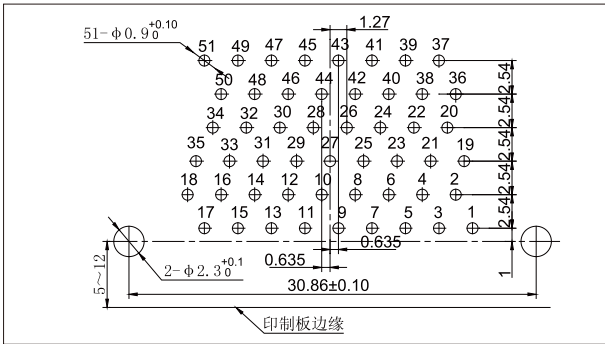
J30J-31ZKW



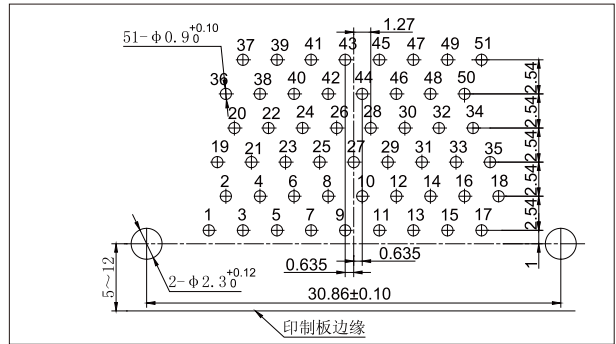
J30J-37TJW



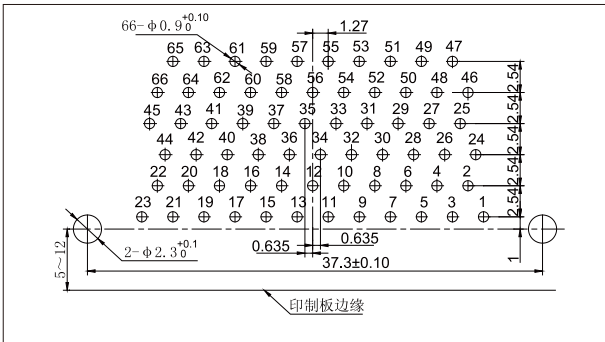
J30J-37ZKW



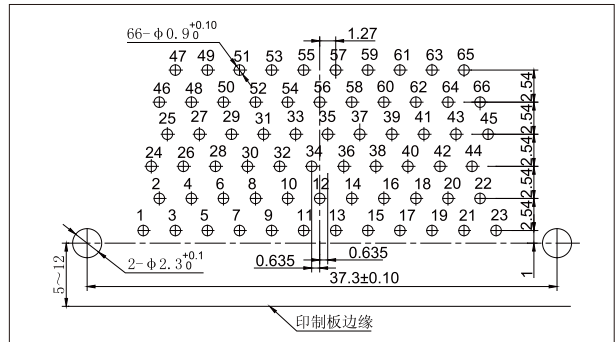
J30J-51TJW



J30J-51ZKW



J30J-66TJW

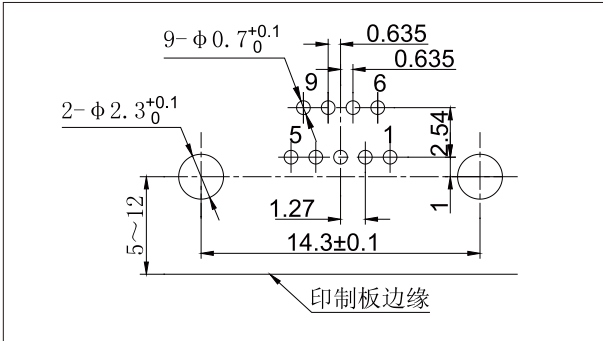


J30J-66ZKW

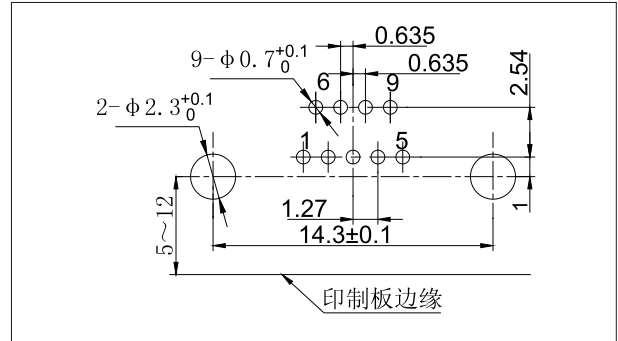
J30J series micro rectangular electrical connector\PCB mounting cutout dimensions

■ J30J Right angle W-J type

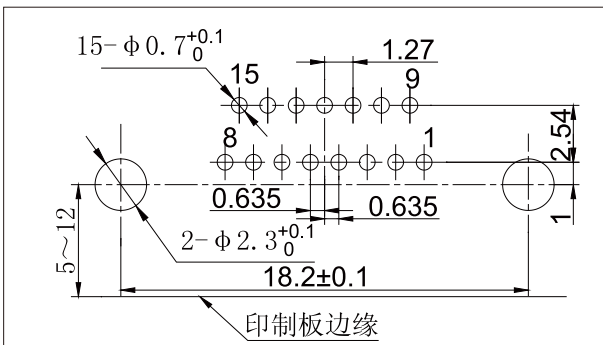
PCB mounting cutout dimensions drawing



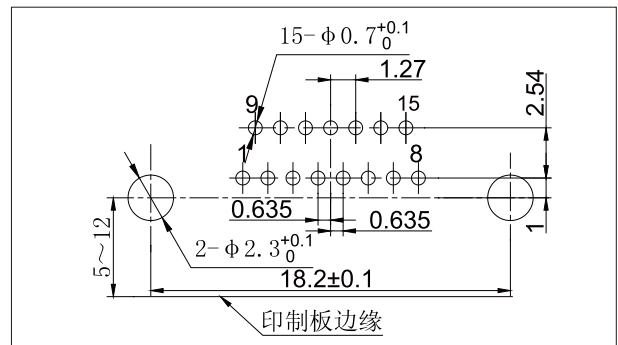
J30J-9TJW-J



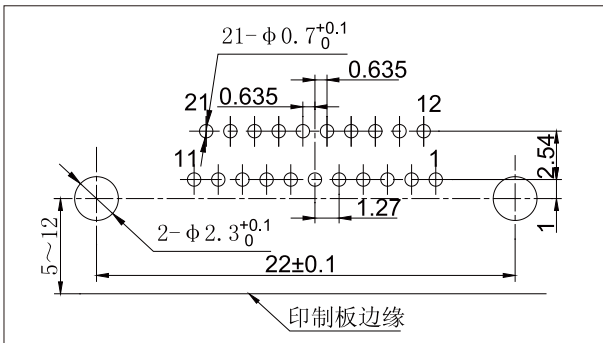
J30J-9ZKW-J



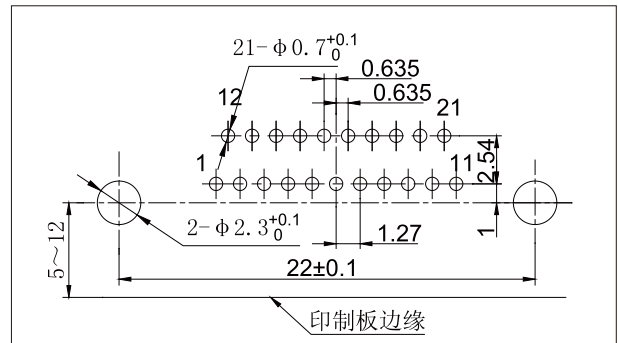
J30J-15TJW-J



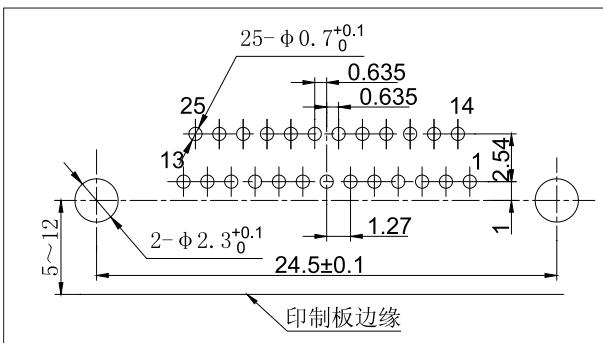
J30J-15ZKW-J



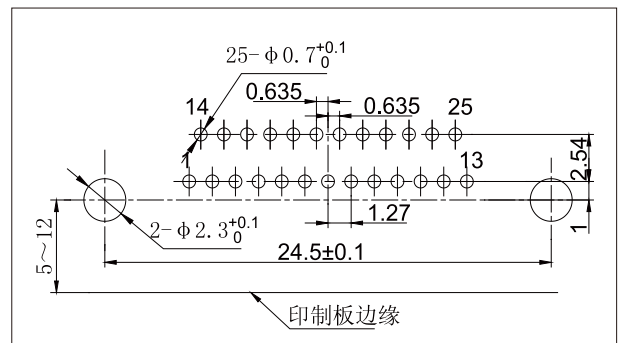
J30J-21TJW-J



J30J-21ZKW-J

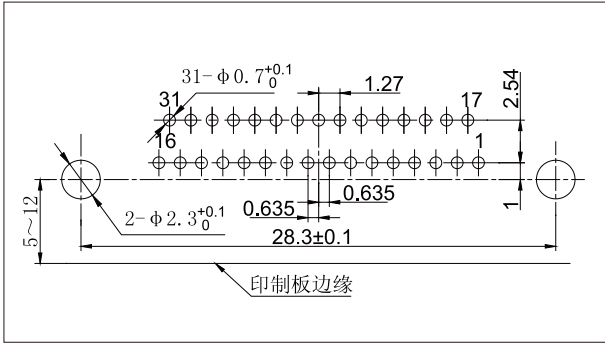


J30J-25TJW-J

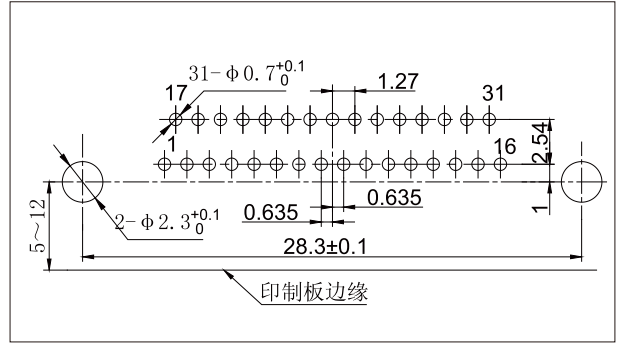


J30J-25ZKW-J

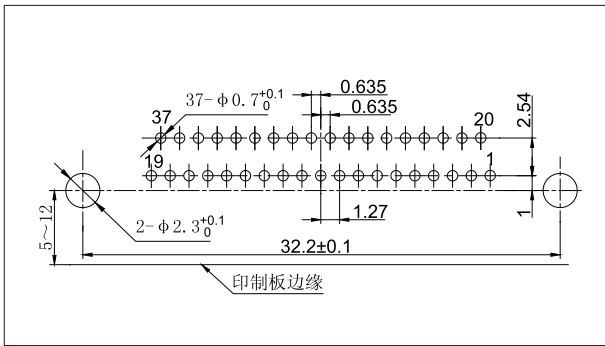
PCB mounting cutout dimensions drawing



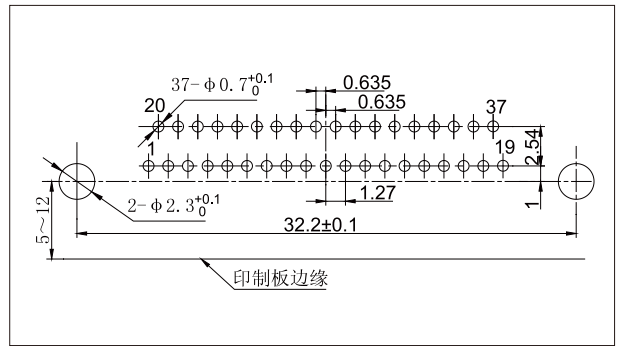
J30J-31TJW-J



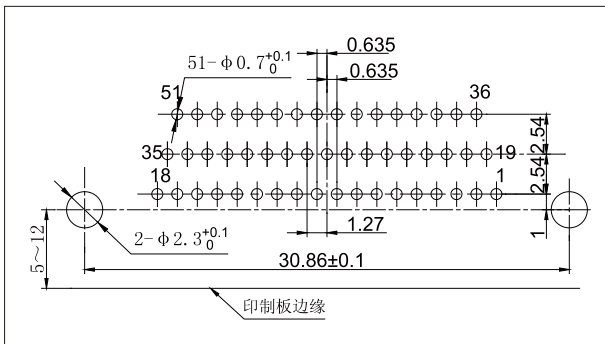
J30J-31ZKW-J



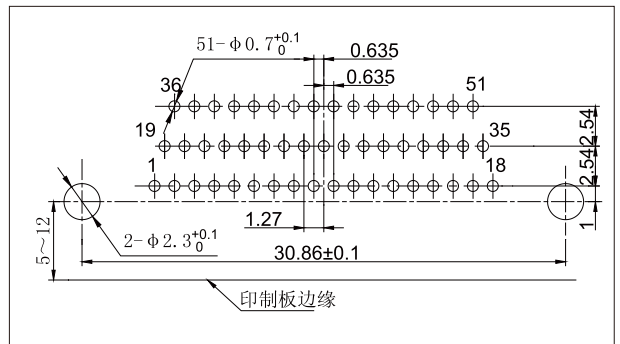
J30J-37TJW-J



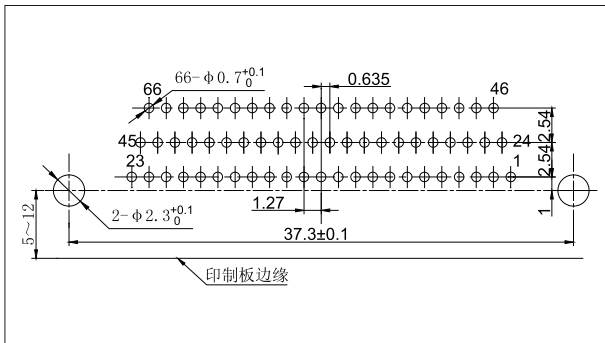
J30J-37ZKW-J



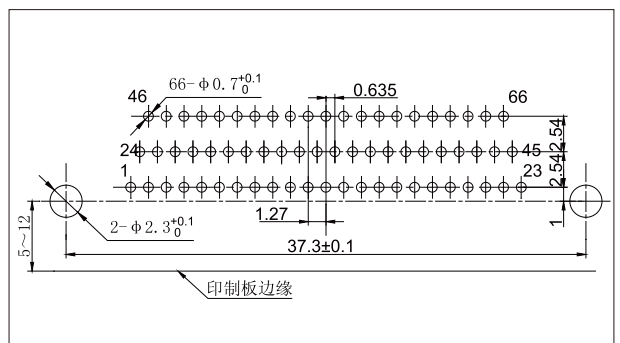
J30J-51TJW-J



J30J-51ZKW-J

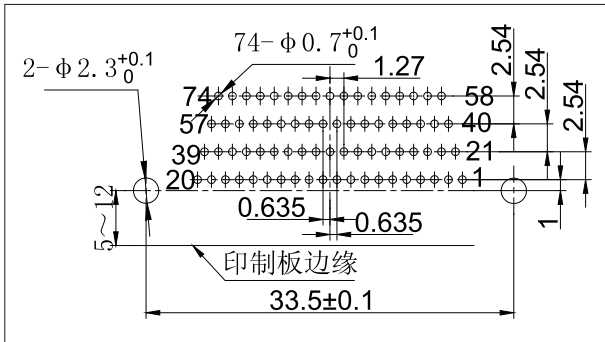


J30J-66TJW-J

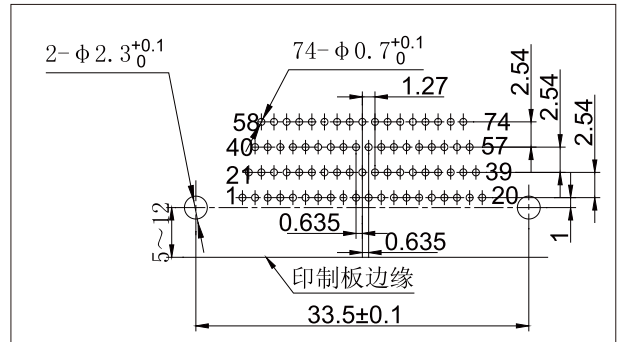


J30J-66ZKW-J

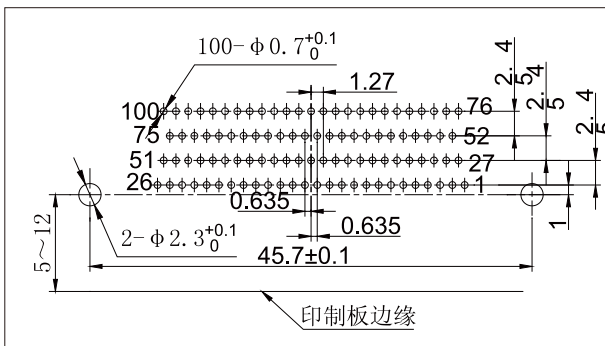
PCB mounting cutout dimensions drawing



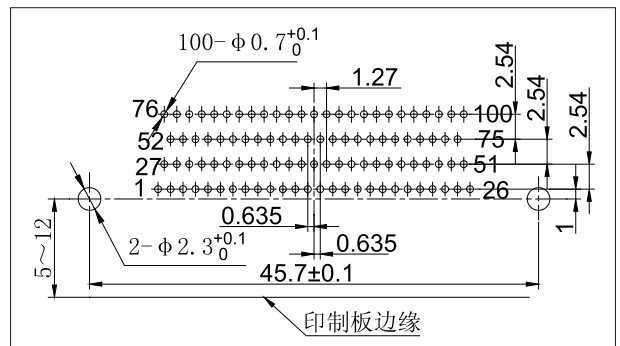
J30J-74TJW-J



J30J-74ZKW-J



J30J-100TJW-J

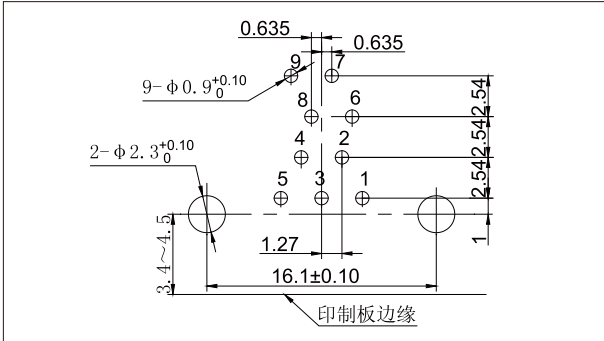


J30J-100ZKW-J

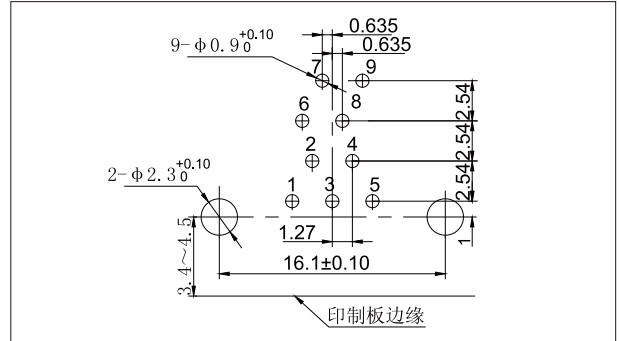
J30J series micro rectangular electrical connector\PCB mounting cutout dimensions

■ J30J Right angle PCB W-Q8 type

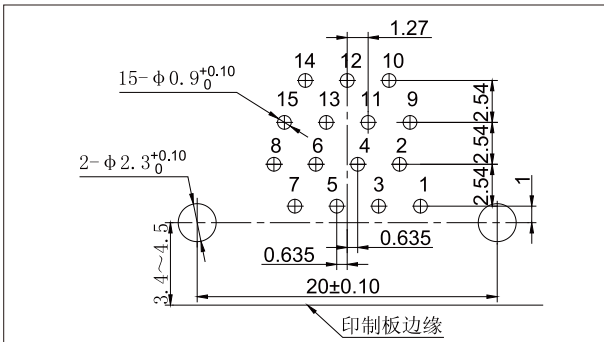
PCB mounting cutout dimensions drawing



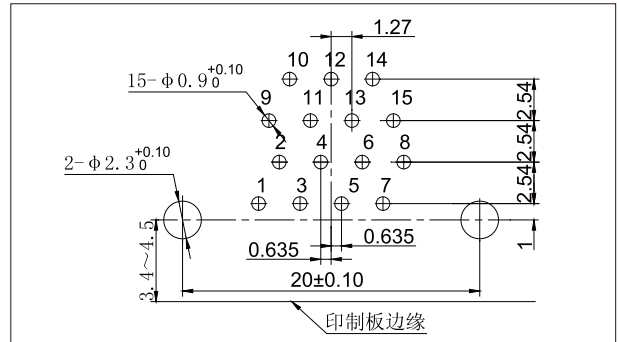
J30J-9TJW-Q8



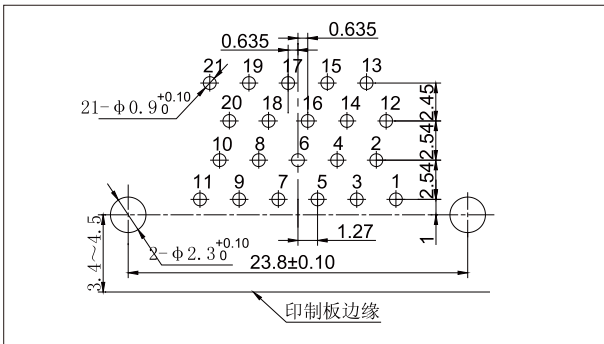
J30J-9ZKW-Q8



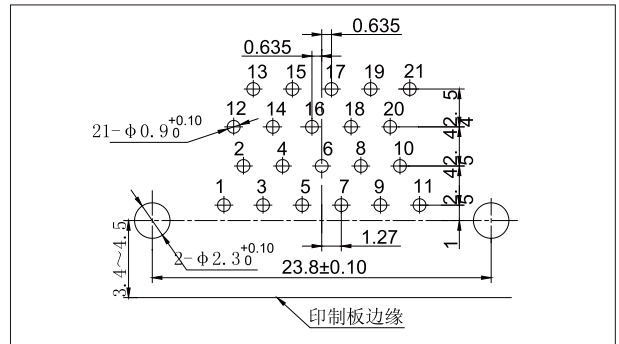
J30J-15TJW-Q8



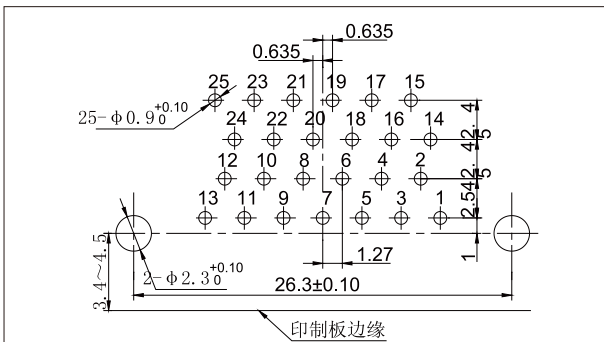
J30J-15ZKW-Q8



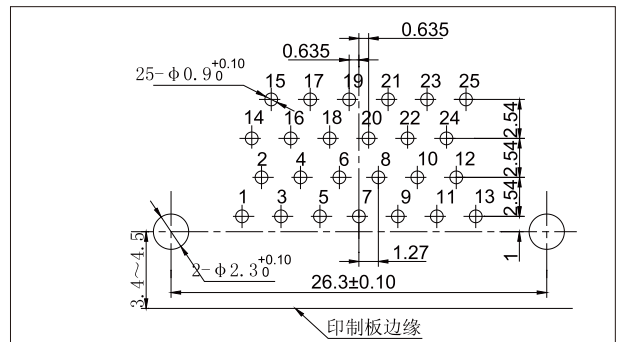
J30J-21TJW-Q8



J30J-21ZKW-Q8

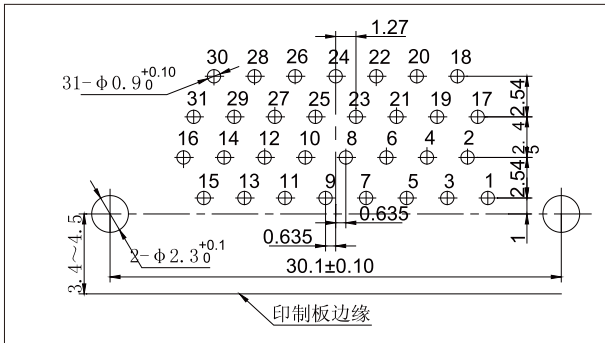


J30J-25TJW-Q8

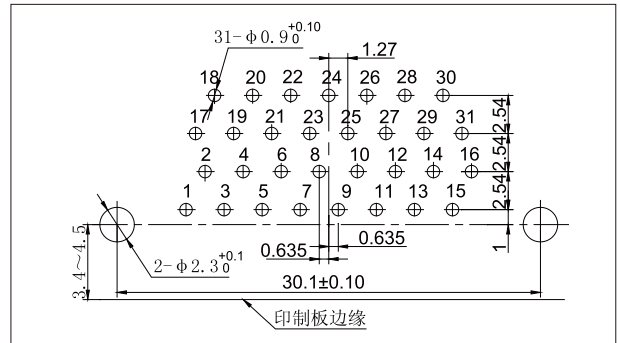


J30J-25ZKW-Q8

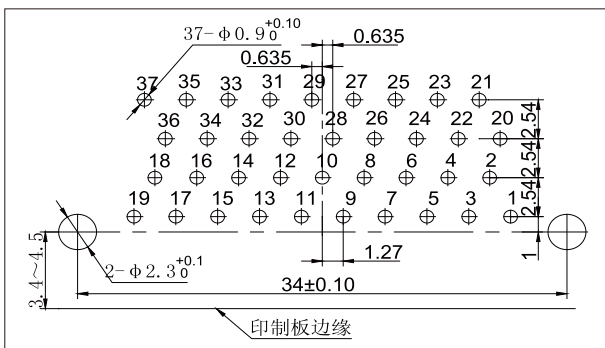
PCB mounting cutout dimensions drawing



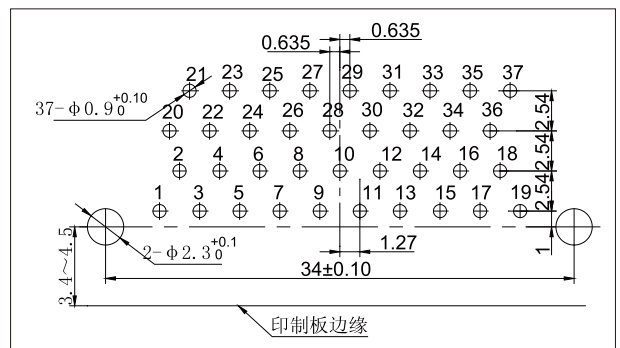
J30J-31TJW-Q8



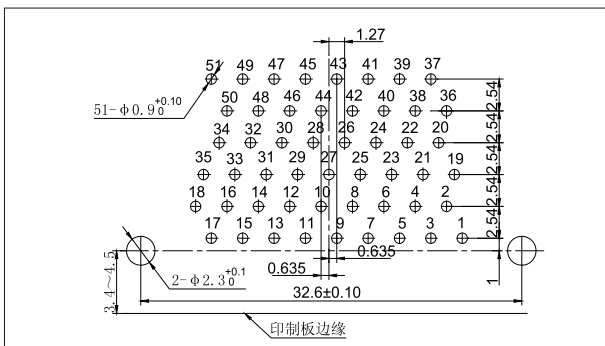
J30J-31ZKW-Q8



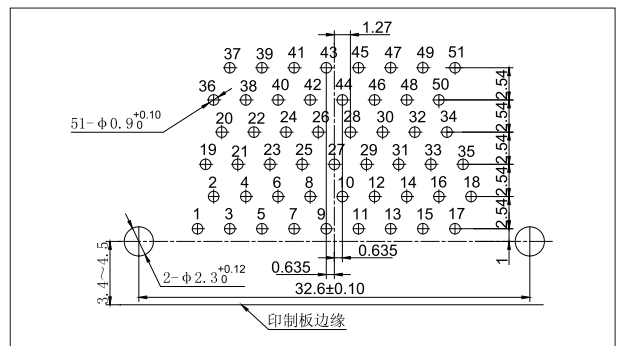
J30J-37TJW-Q8



J30J-37ZKW-Q8



J30J-51TJW-Q8

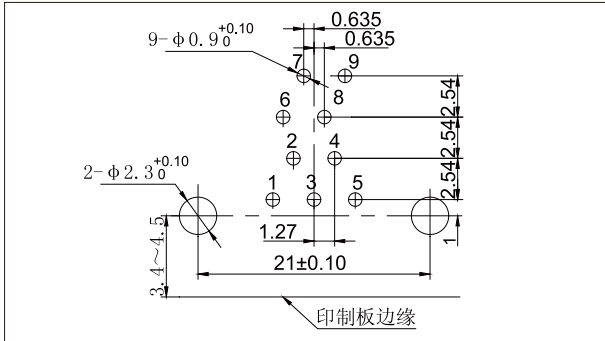


J30J-51ZKW-Q8

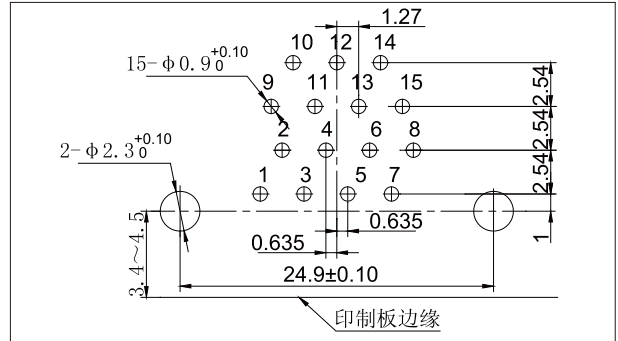
J30J series micro rectangular electrical connector\PCB mounting cutout dimensions

■ J30JC Right angle PCB W-Q type

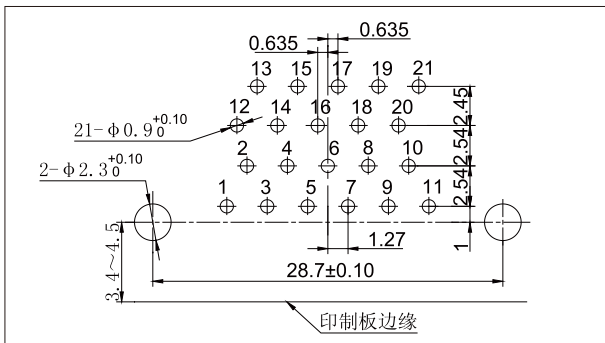
PCB mounting cutout dimensions drawing



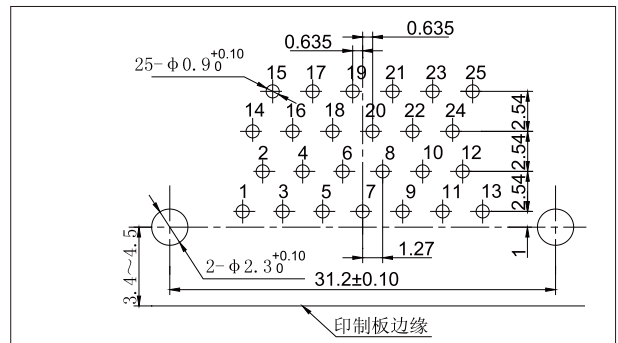
J30JC-9ZKW-Q



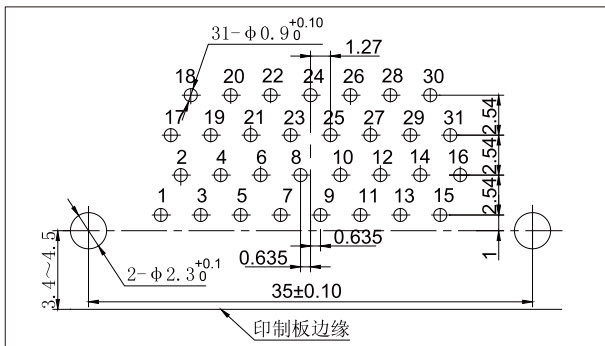
J30JC-15ZKW-Q



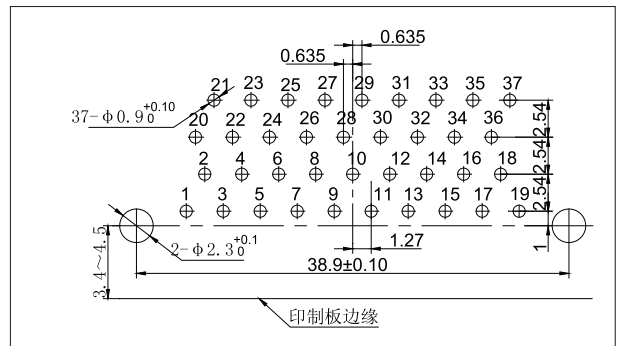
J30JC-21ZKW-Q



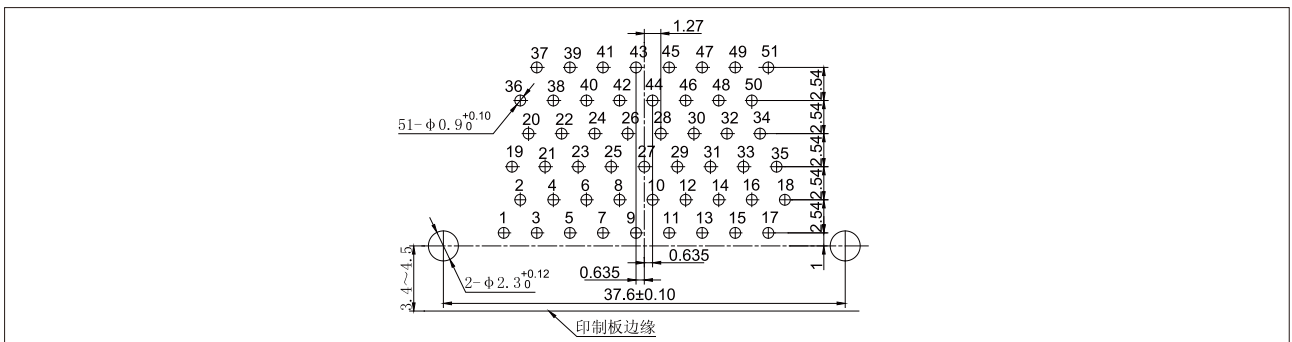
J30JC-25ZKW-Q



J30JC-31ZKW-Q



J30JC-37ZKW-Q

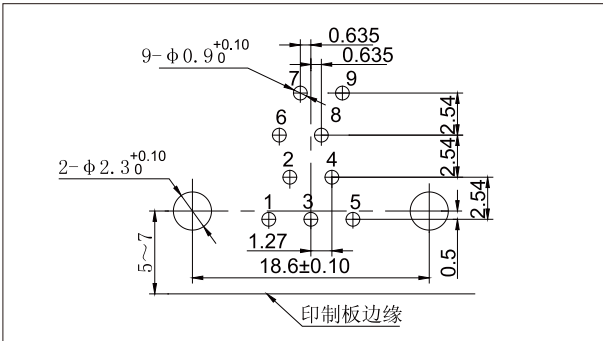


J30JC-51ZKW-Q

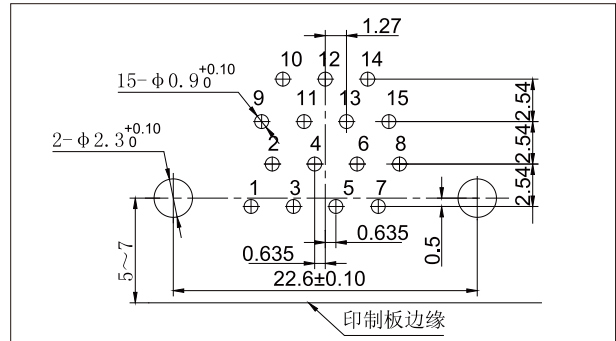
J30J series micro rectangular electrical connector\PCB mounting cutout dimensions

■ J30JA Straight PCB W type

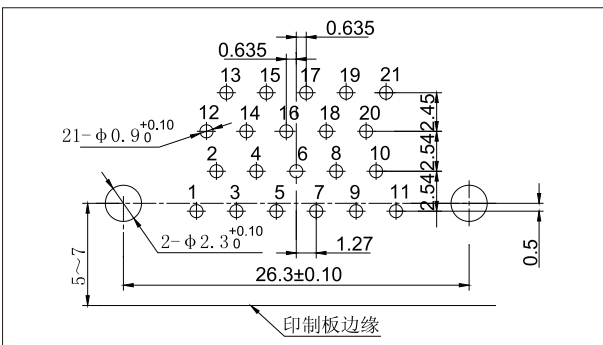
PCB mounting cutout dimensions drawing



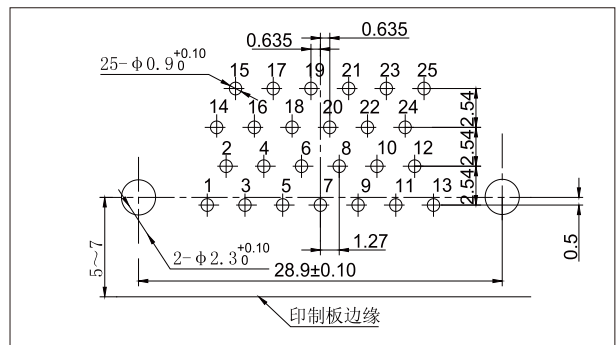
J30JA-9ZKW



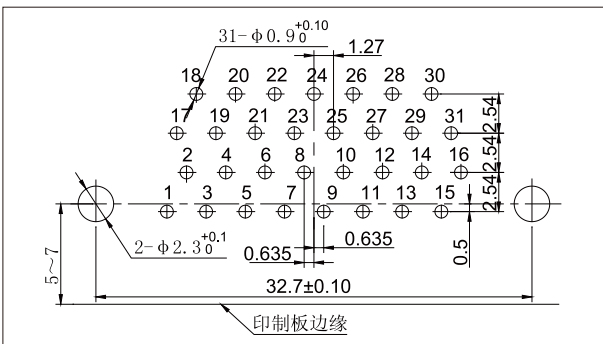
J30JA-15ZKW



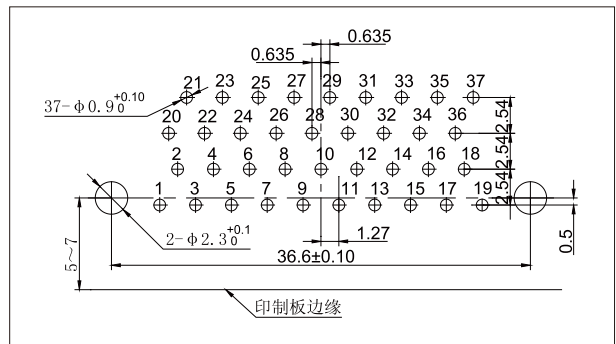
J30JA-21ZKW



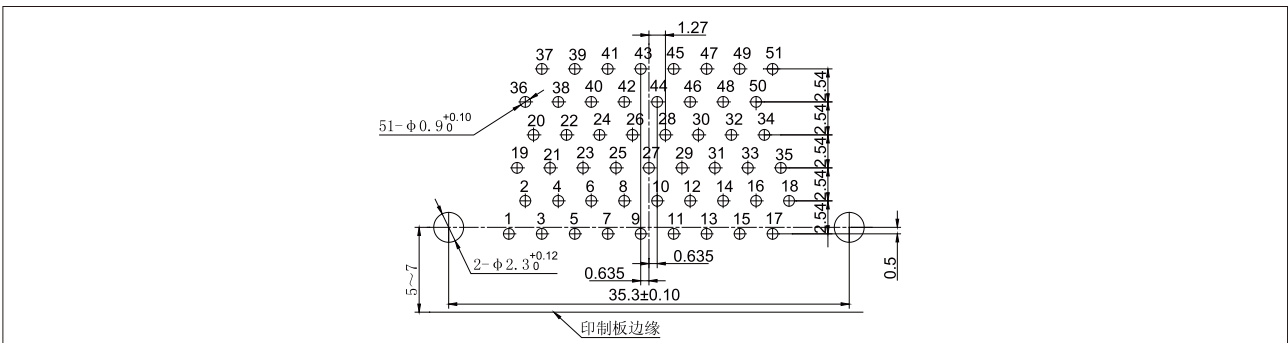
J30JA-25ZKW



J30JA-31ZKW



J30JA-37ZKW

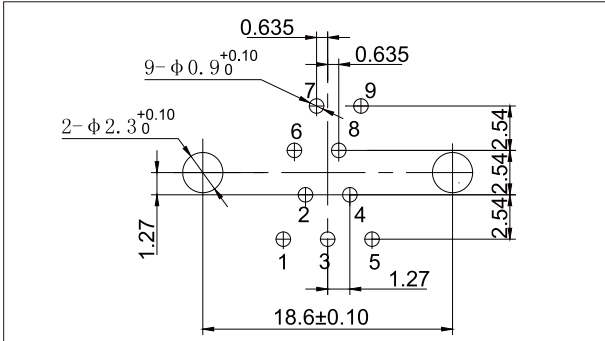


J30JA-51ZKW

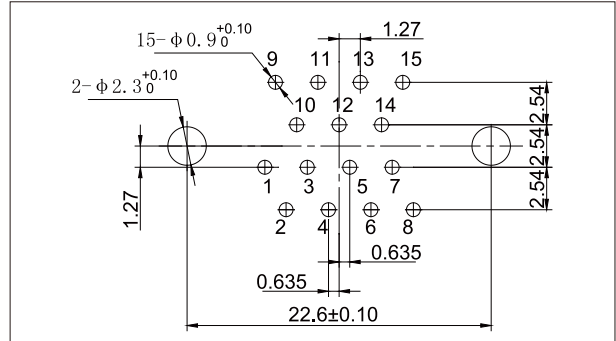
J30J series micro rectangular electrical connector\PCB mounting cutout dimensions

■ J30JA Straight PCB N type

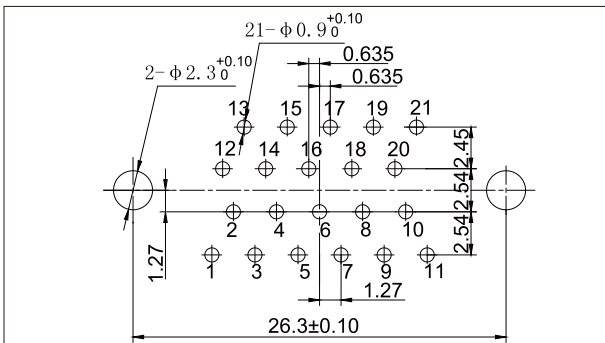
PCB mounting cutout dimensions drawing



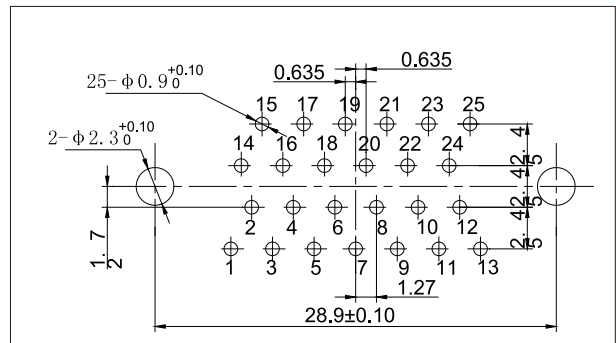
J30JA-9ZKN



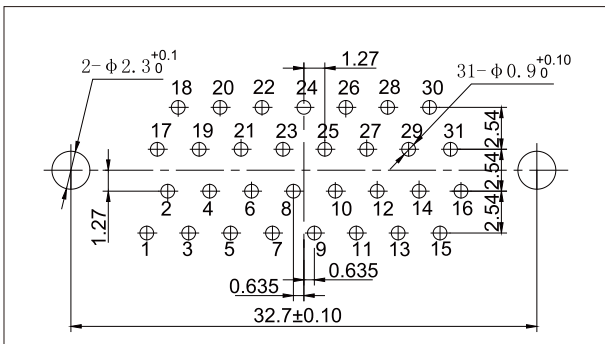
J30JA-15ZKN



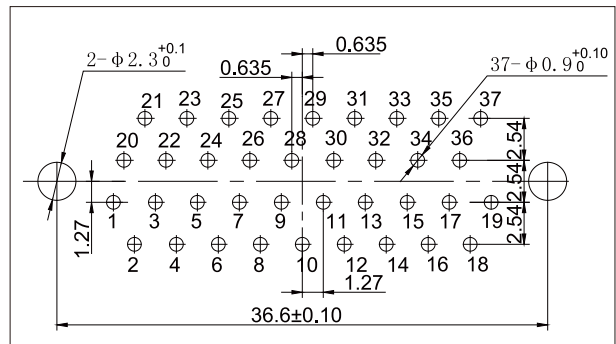
J30JA-21ZKN



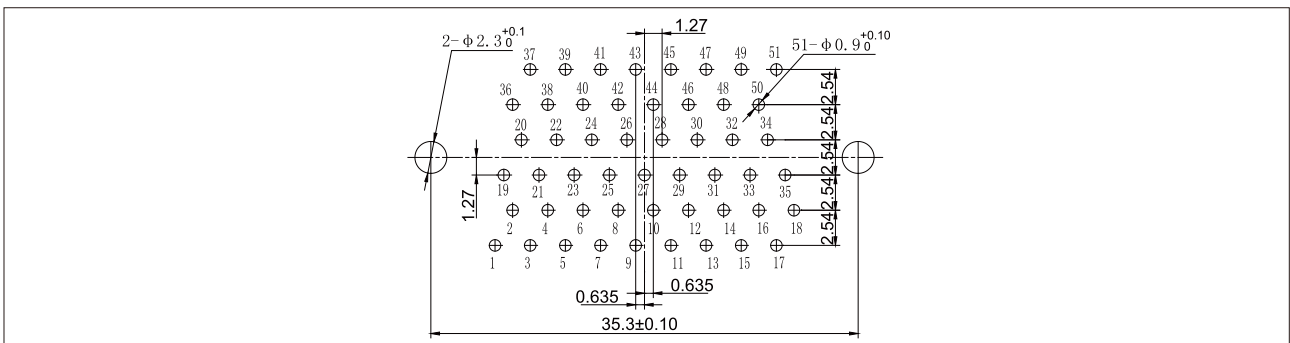
J30JA-25ZKN



J30JA-31ZKN



J30JA-37ZKN

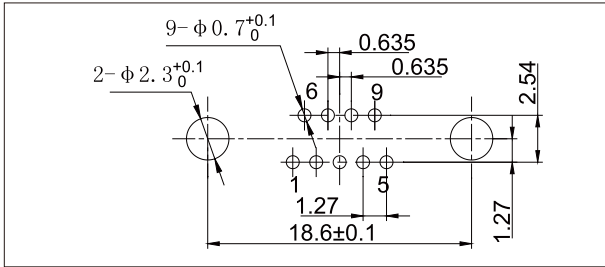


J30JA-51ZKN

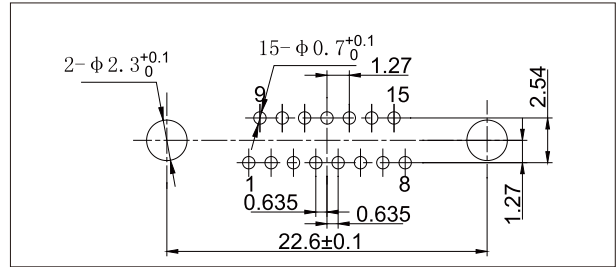
J30J series micro rectangular electrical connector\PCB mounting cutout dimensions

■ J30JA Straight PCB N-J

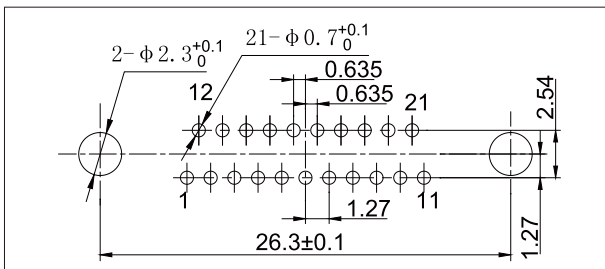
PCB mounting cutout dimensions drawing



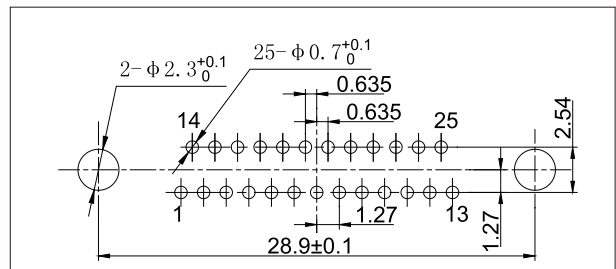
J30JA-9ZKN-J



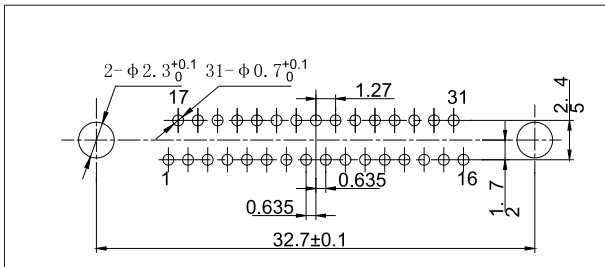
J30JA-15ZKN-J



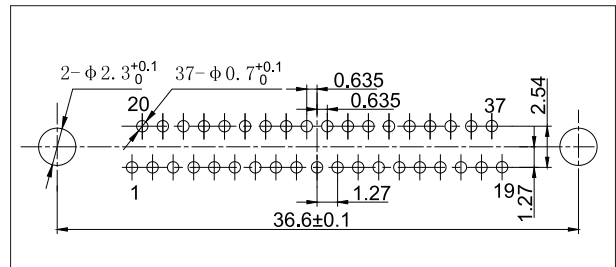
J30JA-21ZKN-J



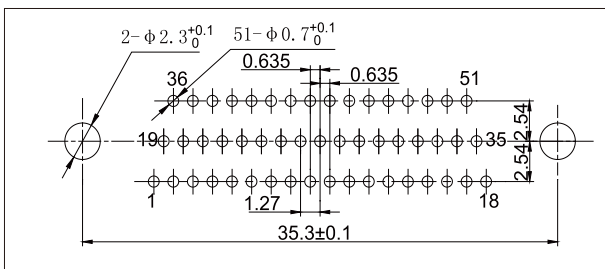
J30JA-25ZKN-J



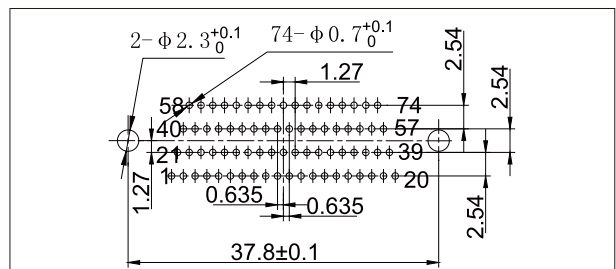
J30JA-31ZKN-J



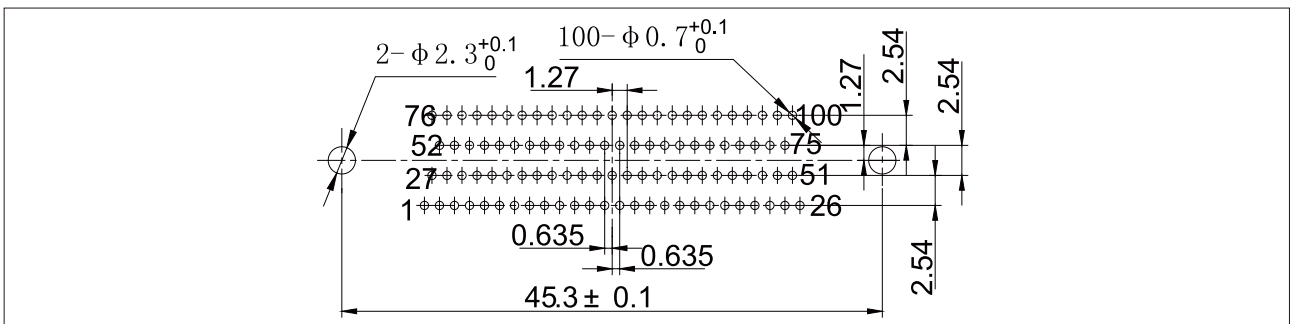
J30JA-37ZKN-J



J30JA-51ZKN-J



J30JA-74ZKN-J

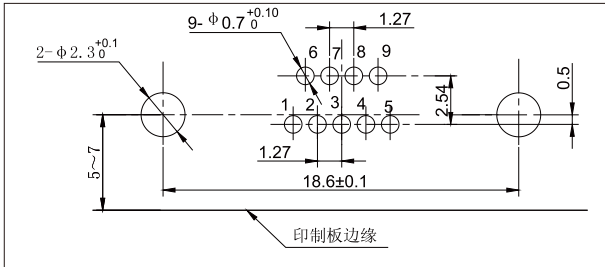


J30JA-100ZKN-J

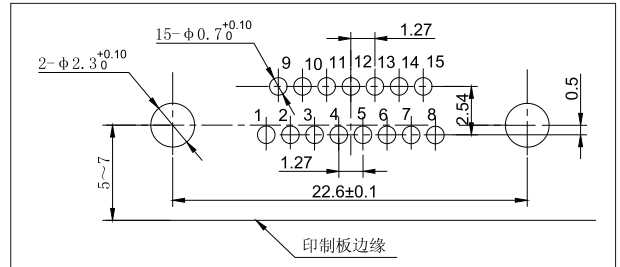
J30J series micro rectangular electrical connector\PCB mounting cutout dimensions

■ J30J Right angle PCB W-J

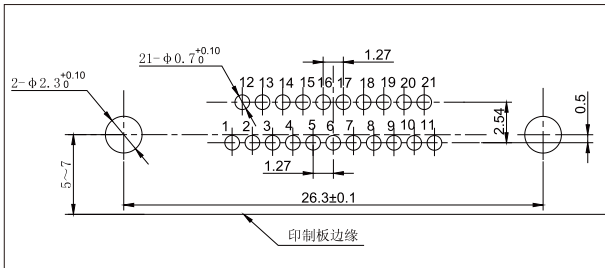
PCB mounting cutout dimensions drawing



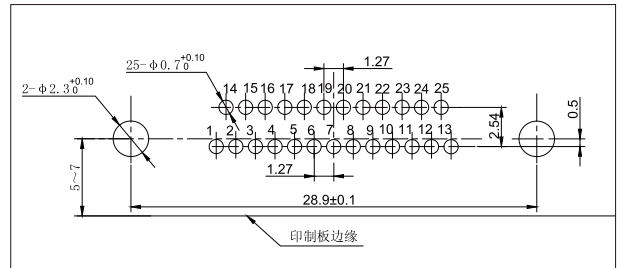
J30JA-9ZKW-J



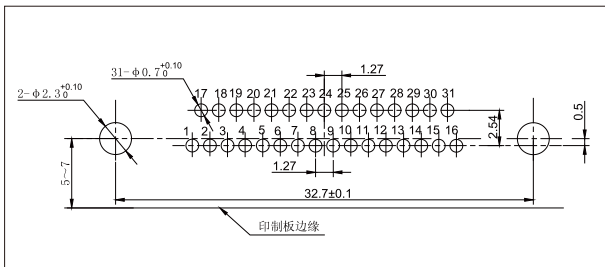
J30JA-15ZKW-J



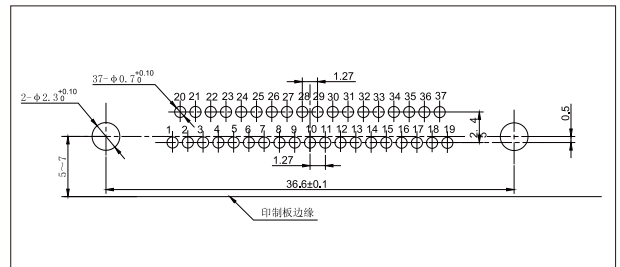
J30JA-21ZKW-J



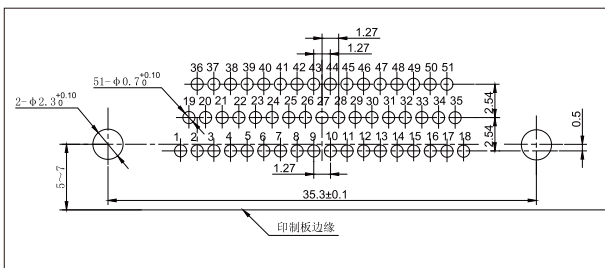
J30JA-25ZKW-J



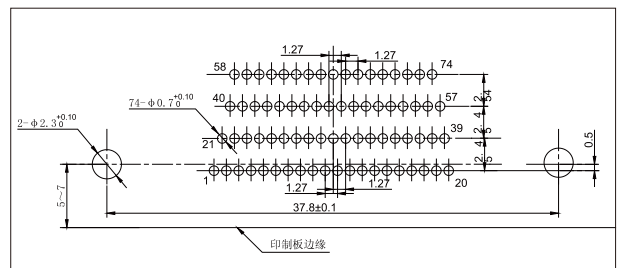
J30JA-31ZKW-J



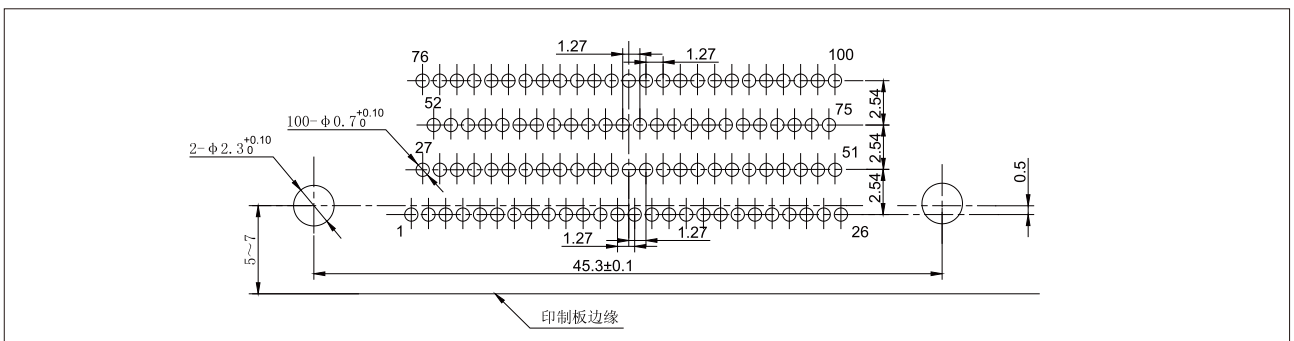
J30JA-37ZKW-J



J30JA-51ZKW-J



J30JA-74ZKW-J



J30JA-100ZKW-J